

# Dialight

556 Series ™  
**High Intensity LED  
 Panel Mount Indicators  
 for 1" Mounting Hole  
 Watertight - NEMA4X IP66**



## FEATURES / BENEFITS

- ▲ Daylight viewable
- ▲ Safety standards - UL and NEMA
- ▲ Tamperproof / Designed for high durability
- ▲ Long life, lasting up to 100k hours
- ▲ Uniform illumination - multi-LED construction
- ▲ Lens options:
  - Low profile flat
  - Wide angle domed

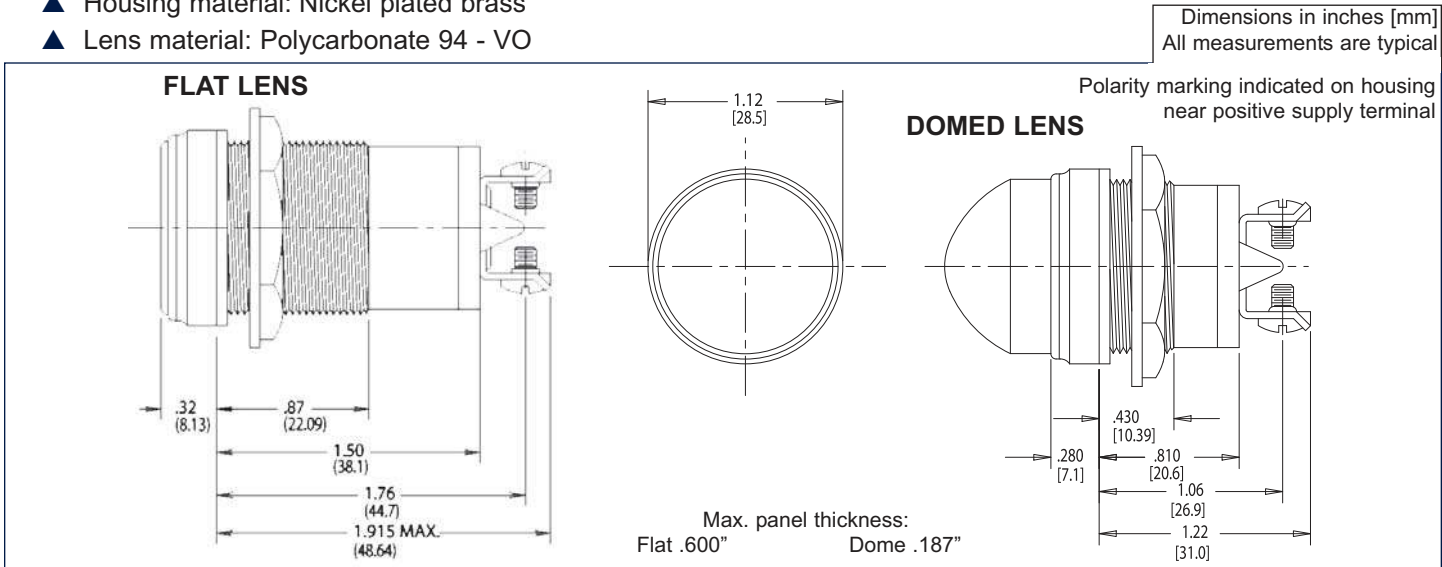
## APPLICATIONS

The 556 Series LED Panel Mount Indicators incorporate both InGaN and AlInGaP technologies to offer higher intensities. This is a highly durable package, designed to withstand outdoor applications susceptible to rain, dust and sunlight.

- Instrument panels
  - Safety applications
  - Vending, gaming
  - Lane control
  - Display lighting
  - Transportation - rail, bus, airline
- ... and many more!

## SPECIFICATIONS

- ▲ Available in red, yellow, green, blue, white, orange and cyan
- ▲ Voltage range of 12 to 125 VDC, 125 and 230 VAC
- ▲ Watertight seal from front of panel meets NEMA 4X IP66
  - Maximum Mounting Torque - 40 in./lb.
- ▲ Housing material: Nickel plated brass
- ▲ Lens material: Polycarbonate 94 - VO
- ▲ UL recognized - File #E156890
- ▲ Front mounting in 1" clearance hole
- ▲ Operating temperature: -30°C to +85°C
- ▲ Storage temperature: -40°C to +100°C



Please see back of page for part numbers and additional specifications.  
 Dialight reserves the right to make changes at any time in order to supply the best product possible.

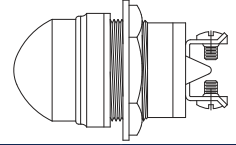
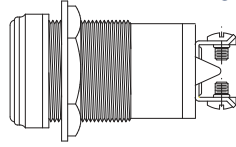
**Dialight Corporation**

1501 Route 34 South • Farmingdale, NJ 07727 USA  
 Tel: (1) 732-919-3119 • Fax: (1) 732-751-5778 • www.dialight.com



MDEL556X001\_F

## 556 Series High Intensity LED Panel Mount Indicators for 1" Mounting Hole Watertight - NEMA4X IP66



### FLAT LENS - 12 AND 24 VDC

PART NUMBER	COLOR	VOLTAGE (VDC)	CURRENT (mA)	Typical LUMINANCE (fL)
556-1003-304F	White	12	60	4000
556-1503-304F	Red	12	95	3000
556-1603-304F	Green	12	60	4000
556-1683-304F	Cyan	12	60	4000
556-1703-304F	Yellow	12	95	3000
556-1803-304F	Blue	12	60	1200
556-1903-304F	Orange	12	95	3000
556-1004-304F	White	24	32	4000
556-1504-304F	Red	24	46	3000
556-1604-304F	Green	24	32	4000
556-1684-304F	Cyan	24	32	4000
556-1704-304F	Yellow	24	46	3000
556-1804-304F	Blue	24	32	1200
556-1904-304F	Orange	24	46	1200

### DOME LENS - 12 AND 24 VDC

PART NUMBER	COLOR	VOLTAGE (VDC)	CURRENT (mA)	Typical LUMINANCE (fL)
556-3003-304F	White	12	60	1200
556-3503-304F	Red	12	95	1300
556-3603-304F	Green	12	60	1800
556-3683-304F	Cyan	12	60	1800
556-3703-304F	Yellow	12	95	1300
556-3803-304F	Blue	12	60	480
556-3903-304F	Orange	12	95	480
556-3004-304F	White	24	32	1200
556-3504-304F	Red	24	46	1300
556-3604-304F	Green	24	32	1800
556-3684-304F	Cyan	24	32	1800
556-3704-304F	Yellow	24	46	1300
556-3804-304F	Blue	24	32	480
556-3904-304F	Orange	24	46	480

### FLAT LENS - 125 AND 230 VAC

PART NUMBER	COLOR	VOLTAGE (VAC)	CURRENT (mA)	Typical LUMINANCE (fL)
556-1005-304F	White	125	9	1800
556-1505-304F	Red	125	10.5	1200
556-1605-304F	Green	125	9.5	1800
556-1685-304F	Cyan	125	9.5	1800
556-1705-304F	Yellow	125	10.5	1200
556-1805-304F	Blue	125	9.5	500
556-1905-304F	Orange	125	10.5	500
556-1009-304F	White	230	7	1800
556-1509-304F	Red	230	7	1200
556-1609-304F	Green	230	7	1800
556-1709-304F	Yellow	230	7	1200
556-1809-304F	Blue	230	7	500
556-1909-304F	Orange	230	7	1800

### DOME LENS - 125 AND 230 VAC

PART NUMBER	COLOR	VOLTAGE (VAC)	CURRENT (mA)	Typical LUMINANCE (fL)
556-3005-304F	White	125	9	700
556-3505-304F	Red	125	10.5	500
556-3605-304F	Green	125	9.5	700
556-3685-304F	Cyan	125	9.5	700
556-3705-304F	Yellow	125	10.5	500
556-3805-304F	Blue	125	9.5	180
556-3905-304F	Orange	125	10.5	180
556-3009-304F	White	230	7	700
556-3509-304F	Red	230	7	500
556-3609-304F	Green	230	7	700
556-3709-304F	Yellow	230	7	500
556-3809-304F	Blue	230	7	180
556-3909-304F	Orange	230	7	180

Other voltages are available.  
Please contact our factory for more information.

Dialight reserves the right to make changes at any time  
in order to supply the best product possible.

**Dialight Corporation**

1501 Route 34 South • Farmingdale, NJ 07727 USA

Tel: (1) 732-919-3119 • Fax: (1) 732-751-5778 • www.dialight.com



MDEL556X001\_F