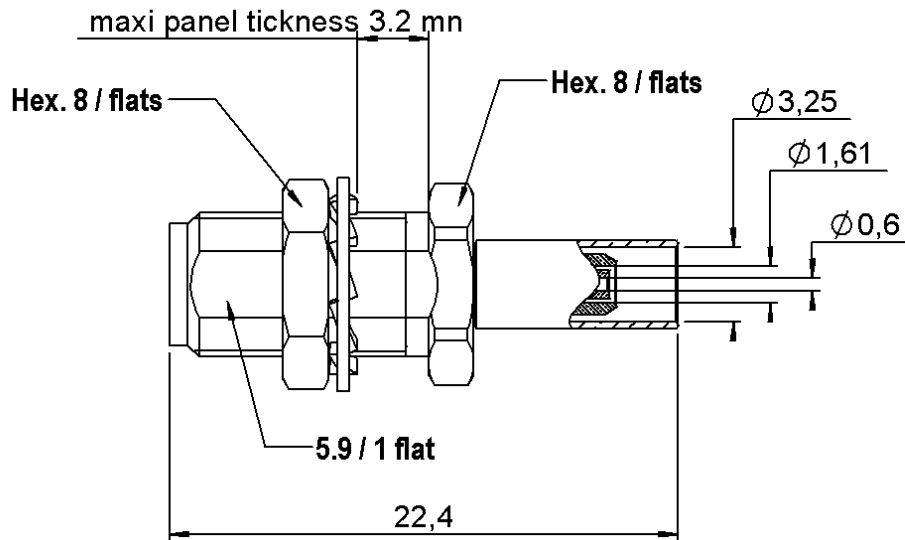
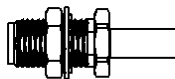
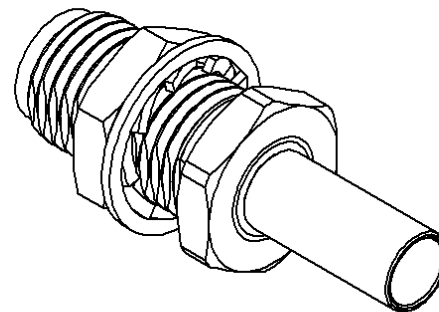
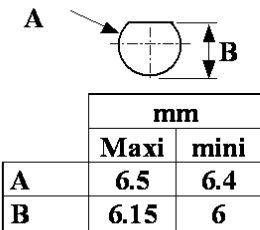


PAGE 1/2	ISSUE 1438B	SERIES SMA	PART NUMBER R125312120
----------	-------------	------------	------------------------

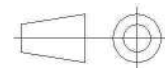


**PANEL CUT OUT**



**SCALE 1:1**

All dimensions are in mm.



COMPONENTS	MATERIALS	PLATING (µm)
Body	<b>STAINLESS STEEL</b>	<b>GOLD 0.5 OVER NICKEL 2</b>
Center contact	<b>BERYLLIUM COPPER</b>	<b>GOLD 1.3 OVER NICKEL2</b>
Outer contact	-	-
Insulator	<b>PTFE</b>	-
Gasket	-	-
Others parts	<b>BRASS</b>	<b>GOLD 0.2 OVER NICKEL 2</b>
-	-	-
-	-	-

PAGE <b>2/2</b>	ISSUE <b>1438B</b>	SERIES <b>SMA</b>	PART NUMBER <b>R125312120</b>
-----------------	--------------------	-------------------	-------------------------------

### PACKAGING

Standard	Unit	Other
<b>100</b>	<b>Contact us</b>	<b>Contact us</b>

### ELECTRICAL CHARACTERISTICS

Impedance	<b>50</b>	$\Omega$
Frequency	<b>0-12.4</b>	GHz
VSWR	<b>1.15 + 0,0200</b>	x F(GHz) Maxi
Insertion loss	<b>0.04</b>	$\sqrt{F}$ (GHz) dB Maxi
RF leakage	- ( - )	- F(GHz)) dB Maxi
Voltage rating	<b>250</b>	Veff Maxi
Dielectric withstanding voltage	<b>750</b>	Veff mini
Insulation resistance	<b>5000</b>	M $\Omega$ mini

### MECHANICAL CHARACTERISTICS

Center contact retention		
Axial force – Mating End	<b>18</b>	N mini
Axial force – Opposite end	<b>18</b>	N mini
Torque	<b>NA</b>	N.cm mini
Recommended torque		
Mating	<b>NA</b>	N.cm
Panel nut	<b>150</b>	N.cm
Clamp nut	<b>NA</b>	N.cm
A/F clamp nut	<b>0,0000</b>	mm
Mating life	<b>500</b>	Cycles mini
Weight	<b>3,6000</b>	g

### ENVIRONMENTAL

Operating temperature	<b>-65/+165</b>	$^{\circ}\text{C}$
Hermetic seal	<b>NA</b>	Atm.cm3/s
Panel leakage	<b>NA</b>	

### SPECIFICATION

### CABLE ASSEMBLY

Stripping	a	b	c	d	e	f
mm	<b>3</b>	<b>6,3</b>	<b>10,8</b>	<b>0</b>	<b>7,8</b>	<b>0</b>

Assembly instruction: **Crimp 02**

Recommended cable(s)

**RG 316**  
**KX 22A**  
**RG 188**

Characteristics indicated on this data sheet are those that can be achieved with the highest performance cable. Intrinsic limitations of the cable may diminish the performance of the assembly

Cable retention

- pull off	<b>90</b>	N mini
- torque	-	N.cm

### TOOLING

Part Number	Description	Hexagon
R282281000	CRIMPING TOOL	2x4(pos5)
R282967012	POSITONER FOR CRIMPING TOOL	
And - (et)		
R282271000	CRIMPING TOOL	3.25
Or - (ou)		
R282293000	CRIMPING TOOL M22520/5-01	
R282235003	CRIMPING DIES M22520/5-03	3.25

### OTHER CHARACTERISTICS

-