

AVAILABLE THROUGH DISTRIBUTION



BOURNS®

Features

- 9 mm Round / Single Turn / Carbon Commercial / Open Frame
- Both sides adjust
- Cross slot and hexagon adjustment designs
- Horizontal and vertical mounting styles

- Dust resistant/splash resistant covers
- PC board stand-offs and retention feature

3319 - 9 mm Round Trimming Potentiometer

Electrical Characteristics

Standard Resistance Range100 to 1 megohm
 (see standard resistance table)
 Resistance Tolerance±25 % std.
 End Resistance2 % max. (≤2K = 30 ohms)
 Contact Resistance Variation3 % max.
 Resolution.....Infinite
 Adjustment Angle235 ° nom.

Environmental Characteristics

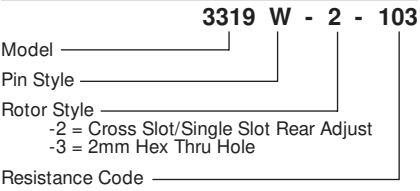
Power Rating (200 volts max.)
 70 °C.....0.2 watt
 Temperature Range-25 °C to +100 °C
 Temperature Coefficient±1000 ppm/°C
 Load Life1,000 hours 0.2 watt @70 °C
 (<100K = +3/-7 % ΔTR)
 (≥100K = +3/-10 % ΔTR)

Physical Characteristics

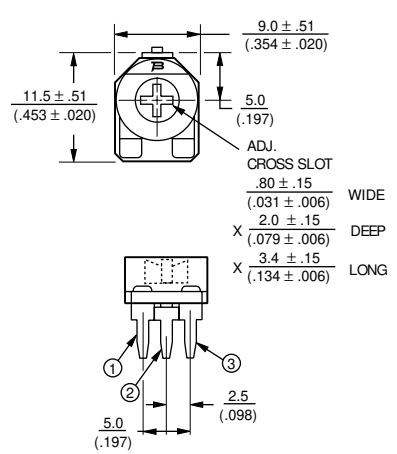
Torque (Operating)5 oz-in. max.
 Stop Strength11.0 oz-in. min.
 TerminalsSolderable pins
 MarkingManufacturer's trademark, resistance code
 Standard Packaging200 pcs. per bag
 Adjustment ToolH-90

Aqueous cleaning not recommended

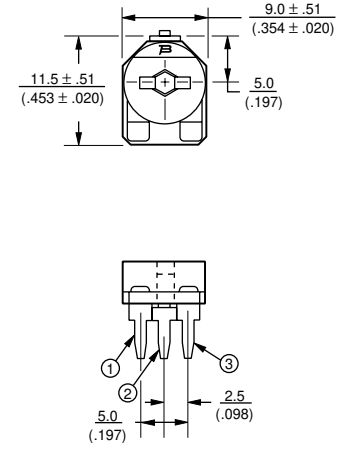
How To Order



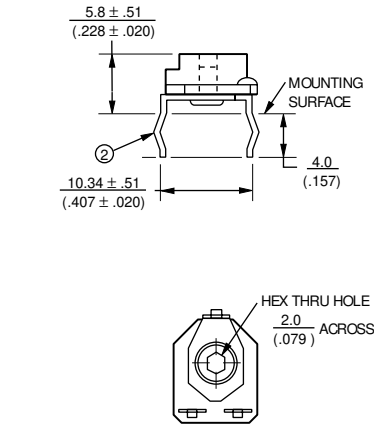
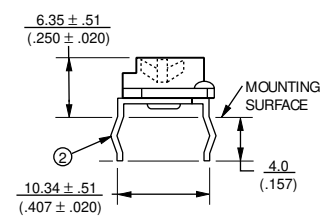
3319P Common Dimensions



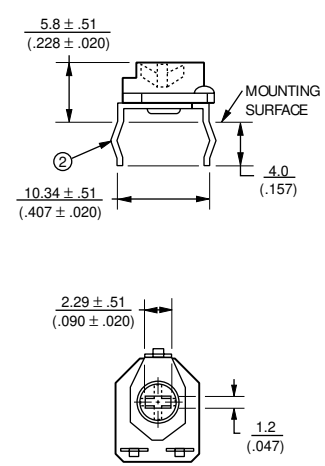
3319P-3 Both Sides Adjust/Hex



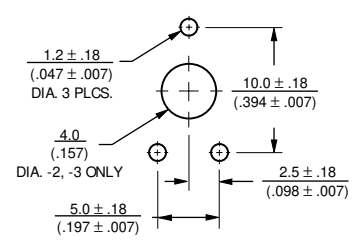
3319P-1 Top Adjust



3319P-2 Both Sides Adjust/Cross Slot



SUGGESTED PWB LAYOUT - 3319P



TOLERANCES: ± 0.25 (.010) EXCEPT WHERE NOTED

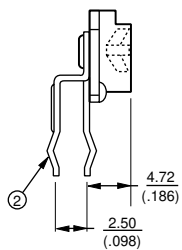
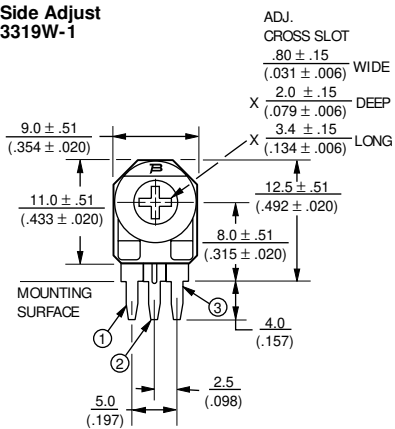
DIMENSIONS ARE: $\frac{\text{MM}}{\text{(INCHES)}}$

Specifications are subject to change without notice.

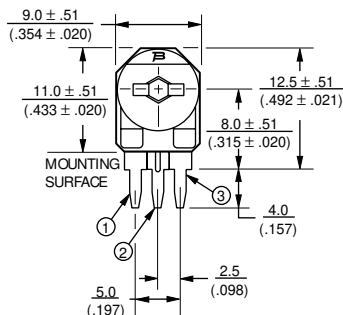
3319 - 9 mm Round Trimming Potentiometer

BOURNS®

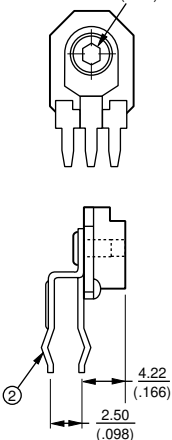
Side Adjust 3319W-1



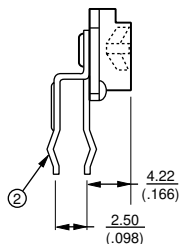
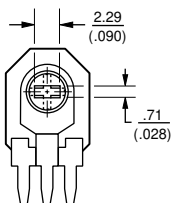
3319W-3 Both Sides Adjust/Hex



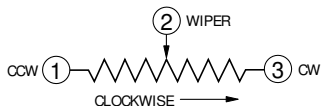
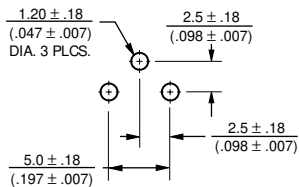
HEX THRU HOLE $\frac{2.0}{(.079)}$ ACROSS FLATS



3319W-2 Both Sides Adjust / Cross Slot



SUGGESTED PWB LAYOUT - 3319W



Standard Resistance Table

Resistance (Ohms)	Resistance Code
100	101
200	201
500	501
1,000	102
2,000	202
5,000	502
10,000	103
20,000	203
50,000	503
100,000	104
200,000	204
500,000	504
1,000,000	105

Popular distribution resistance values listed in boldface.

TOLERANCES: ± 0.25 (.010) EXCEPT WHERE NOTED

DIMENSIONS ARE: $\frac{\text{MM}}{(\text{INCHES})}$