

Customer Information Sheet

DRAWING No.: D0XXX-XX

SHEET 2 OF 2

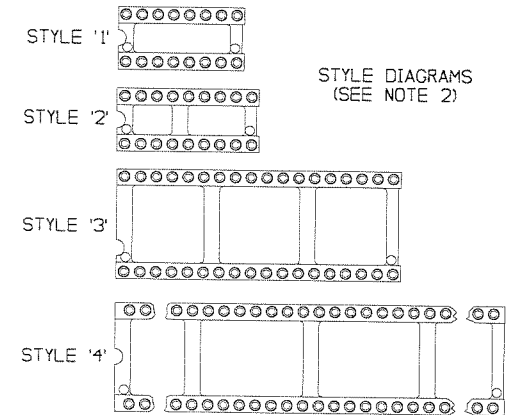
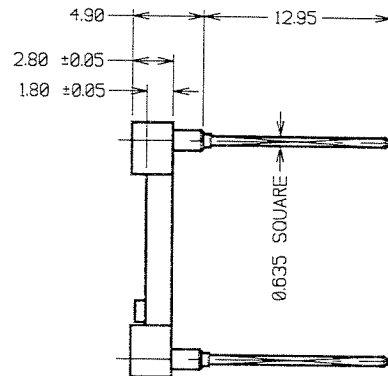
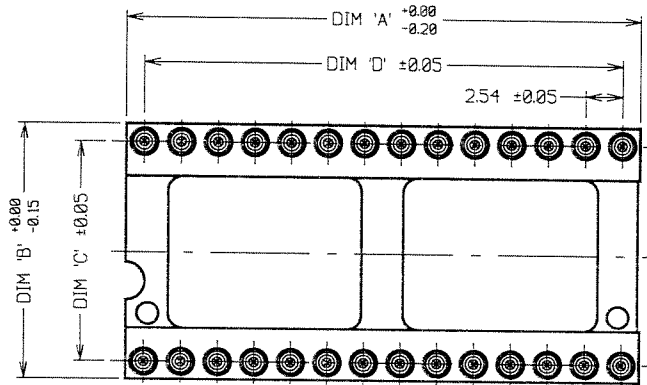
IF IN DOUBT - ASK

(C)

NOT TO SCALE

THIRD ANGLE PROJECTION

ALL DIMENSIONS IN mm



SPECIFICATIONS:

MATERIAL:

MOULDING:

01 = GLASS-FILLED PBT, UL94V-0, BLACK

42 = GLASS-FILLED PCT, UL94V-0, BLACK

CONTACT SHELL = BRASS

CONTACT CLIP = BERYLLIUM COPPER

FINISH:

CONTACT SHELL:

01 = 5µ TIN/LEAD OVER NICKEL

42 = 5µ 100% TIN OVER NICKEL

CONTACT CLIP = 0.25µ GOLD OVER NICKEL

ELECTRICAL:

CURRENT RATING = 1 AMP

VOLTAGE RATING = 100V AC / 150V DC

CONTACT RESISTANCE = 10 MILLIOHMS MAX

INSULATION RESISTANCE = 10,000 MEGOHMS MIN

DIELECTRIC STRENGTH = 1,000V AC MIN

MECHANICAL:

DURABILITY = 100 CYCLES

INSERTION FORCE (0.46mm GAUGE) = 5N MAX

WITHDRAWAL FORCE (0.46mm GAUGE) = 0.5N MIN

ENVIRONMENTAL:

TEMPERATURE RANGE = -55°C TO +125°C

FOR COMPLETE SPECIFICATION, SEE COMPONENT SPECIFICATION C004XX (LATEST ISSUE)

NOTES:

1. RECOMMENDED HOLE SIZE = 0.100mm.

2. STYLE REFERS TO NUMBER OF CENTRE BARS ONLY.

PART No.	No. OF WAYS	STYLE (SEE NOTE 2)	DIM 'A'	DIM 'B'	DIM 'C'	DIM 'D'
D0806-XX	6	1	7.60	10.02	7.62	5.08
D0808-XX	8	1	10.10	10.02	7.62	7.62
D0814-XX	14	1	17.70	10.02	7.62	15.24
D0816-XX	16	1	20.30	10.02	7.62	17.78
D0818-XX	18	2	22.80	10.02	7.62	20.32
D0820-XX	20	2	25.30	10.02	7.62	22.86
D0822-XX	22	2	27.80	12.60	10.16	25.40
D0922-XX	22	2	27.80	10.02	7.62	25.40
D0724-XX	24	2	30.40	12.60	10.16	27.94
D0824-XX	24	2	30.40	17.64	15.24	27.94
D0924-XX	24	2	30.40	10.02	7.62	27.94
D0828-XX	28	2	35.50	17.64	15.24	33.02
D0832-XX	32	2	40.60	17.64	15.24	38.10
D0836-XX	36	3	45.70	17.64	15.24	43.18
D0840-XX	40	3	50.80	17.64	15.24	48.26
D0948-XX	48	3	60.90	17.64	15.24	58.42
D0864-XX	64	4	25.40	25.40	22.86	78.74

RA	9	17.01.08	9947
NAME	ISS.	DATE	C/NOTE
APPROVED: <i>[Signature]</i>			
CHECKED: <i>[Signature]</i>			
DRAWN: W. J. BOURNE			
CUSTOMER REF:			
ASSEMBLY DRG:			

ORDER CODE:

D0XXX-XX

PITCH
SEE TABLE

No. OF CONTACTS
SEE TABLE

FINISH:

01 - GOLD CLIP, TIN/LEAD SHELL
42 - GOLD CLIP, 100% TIN SHELL

HARWIN

HARWIN USA
TEL: 603 893 5376
FAX: 603 893 5396
mis@harwin.com

HARWIN Europe (UK)
TEL: 023 9231 4545
FAX: 023 9231 4590
mis@harwin.co.uk

HARWIN Asia
TEL: +65 6 779 4989
FAX: +65 6 779 3868
mis@harwin.com.sg

THIS DRAWING AND ANY INFORMATION OR DESCRIPTIVE MATTER SET OUT HEREON ARE CONFIDENTIAL AND COPYRIGHT PROPERTY OF THE HARWIN GROUP AND MUST NOT BE DISCLOSED, LOANED, COPIED OR USED FOR MANUFACTURING, TENDERING OR FOR ANY OTHER PURPOSE WITHOUT THEIR WRITTEN PERMISSION.

TOLERANCES
X. = ±1mm
X.X = ±0.25mm
X.XX = ±0.10mm
X.XXX = ±0.01mm
ANGLES = ±5°
UNLESS STATED

MATERIAL:
SEE ABOVE
FINISH: SEE ABOVE
S/AREA: mm²

TITLE:
IC SOCKET WIRE WRAP ASSEMBLY (3-LEVEL)

DRAWING NUMBER:

D0XXX-XX

SHT
2
OF
2