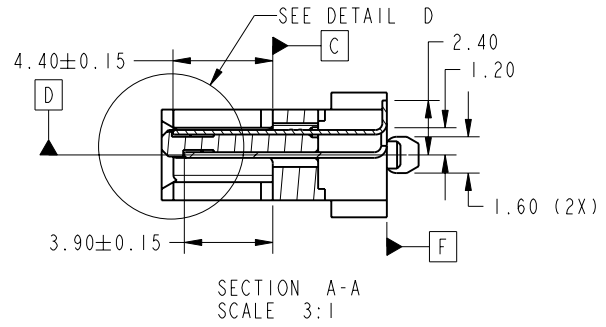
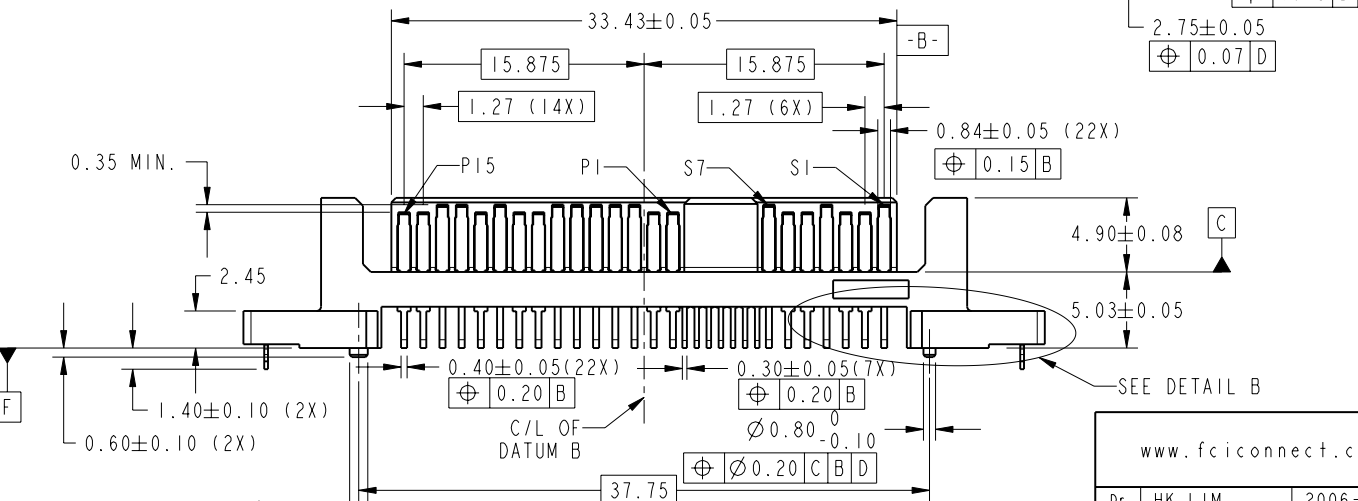
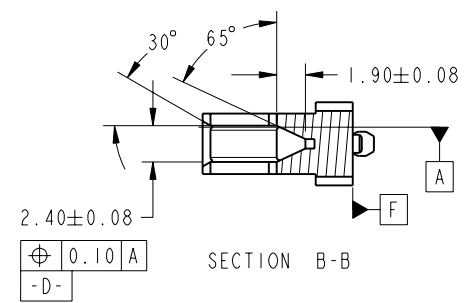
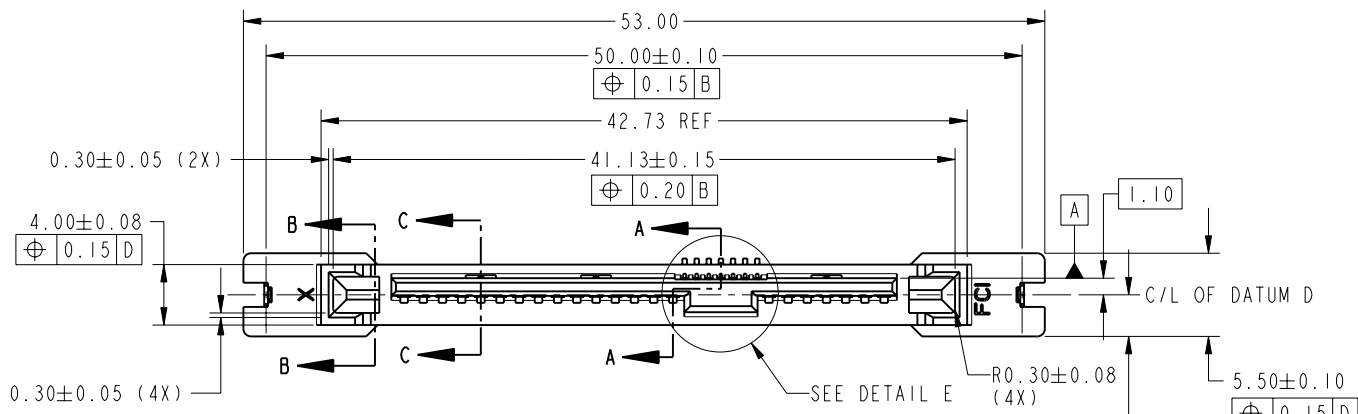
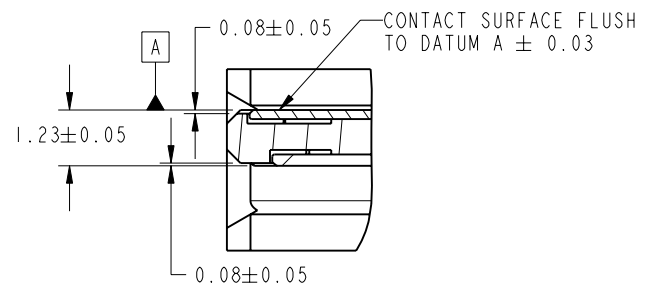
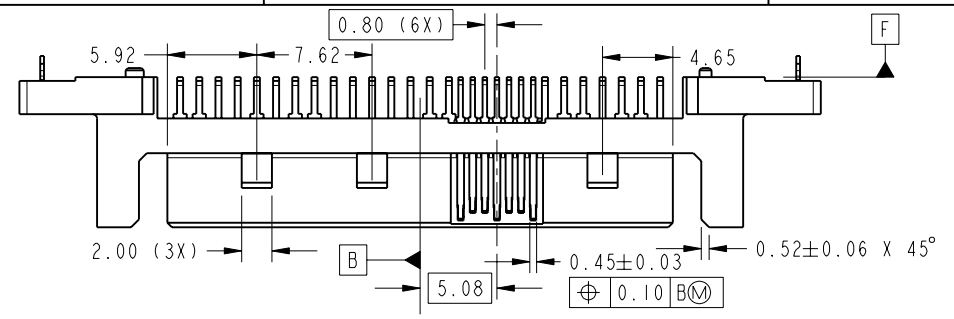


PRODUCT NO.  
10071375-001LF



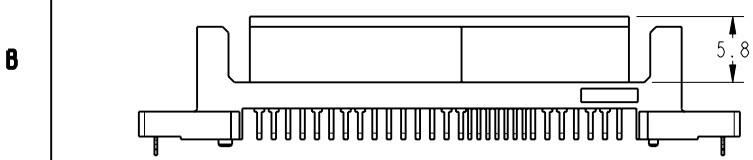
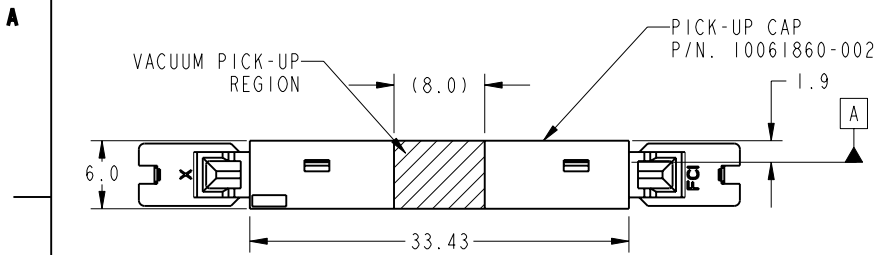
Copyright FCI.

rev	ecn no	dr	date
A	S07-0075	HKL	2007-03-13
B	S08-0135	HKL	2008-05-05
-	-	-	-
-	-	-	-

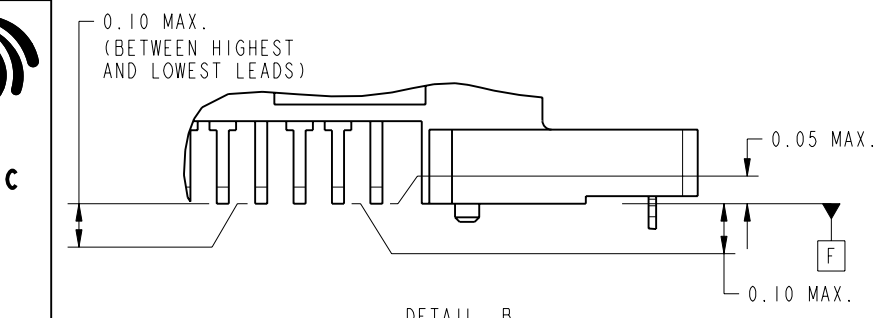
www.fciconnect.com		surface ASME Y14.5	tolerance std ASME Y14.5	projection	MM
		TOLERANCES UNLESS OTHERWISE SPECIFIED		size A4	Scale 2:1
Dr	HK LIM	2006-09-01	ANGULAR	0.X	±0.25
Eng	HK LIM	2008-05-05	LINEAR	0.XX	±0.20
Chr	HK LIM	2008-05-05	0° ±2°	0.XXX	±0.050
Appr	JOEY NG	2008-05-05	Product family	ECN	S08-0135
FCI				Spec ref	
SAS PLUG VERTICAL SMT ASSY				dwg no	10071375
catalog no				CUSTOMER	sheet 1 of 2
				Rev.	B

REV E - 2006-03-28


PRODUCT NO.	WITH PICK-UP CAP	PACKAGING
10071375-001LF	NO	TRAY
10071375-001CLF	YES	

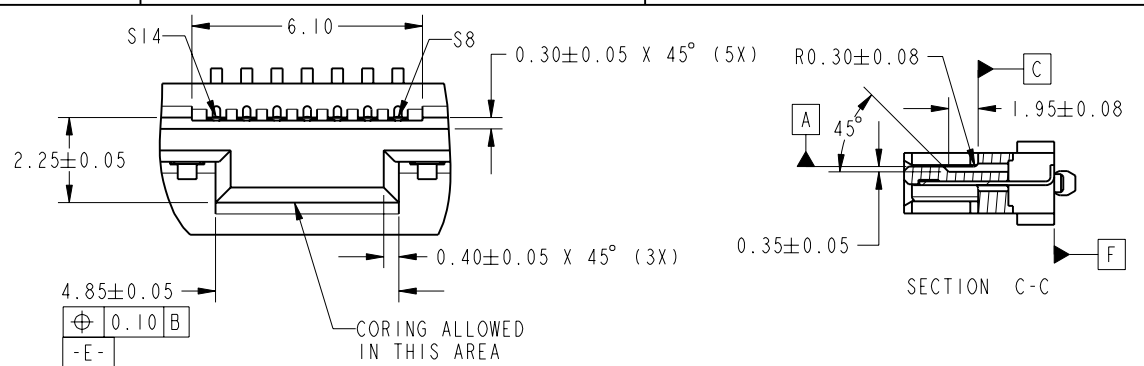


SCALE 3:2  
WITH PICK-UP CAP ATTACHED

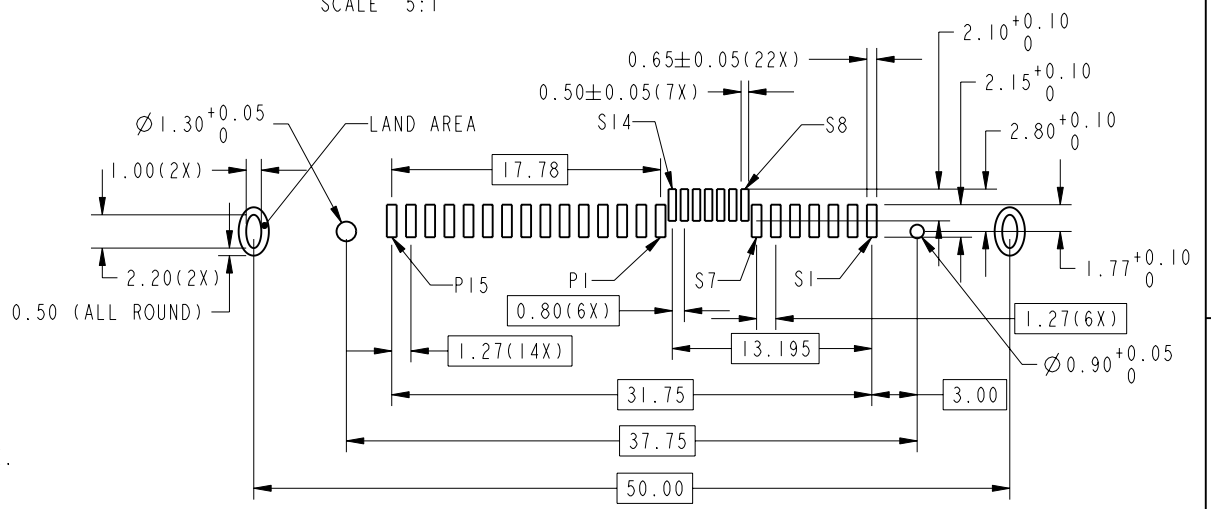


DETAIL B  
SCALE 4:1

- NOTES:
- MATERIAL:  
HOUSING & CAP: HIGH TEMPERATURE PLASTIC, BLACK, UL94V-0  
CONTACT: COPPER ALLOY  
HOLD DOWN: COPPER ALLOY
  - FINISH:  
1.27um MIN NICKEL UNDERPLATE OVERALL,  
2.54um MIN TIN (LEAD-FREE) ON SOLDER TAIL,  
0.76um MIN GOLD ON CONTACT AREA
  - THIS PRODUCT MEETS EUROPEAN UNION DIRECTIVES AND OTHER COUNTRY REGULATIONS AS DESCRIBED IN GS-22-008
  - THE HOUSING WILL WITHSTAND EXPOSURE TO 260°C PEAK TEMPERATURE FOR 10 SECONDS IN A CONVECTION, INFRA-RED OR VAPOR PHASE REFLOW OVEN
  - PART WITH PICK-UP CAP, P/N. XXXXXXXX-XXXCLF
  - A SYMBOL  WILL BE NEXT TO ANY DIMENSION, VIEW OR NOTE WHICH HAS BEEN MODIFIED WITH THE CURRENT DRAWING REVISION




DETAIL E  
SCALE 5:1



SCALE 2:1  
RECOMMENDED SOLDER PAD LAYOUT



Copyright FCI.

	TITLE	SAS PLUG VERTICAL SMT ASSY	dwg no	10071375	Rev.	B
	CATALOG NO		CUSTOMER		SHEET 2 OF 2	

REV E - 2006-03-28