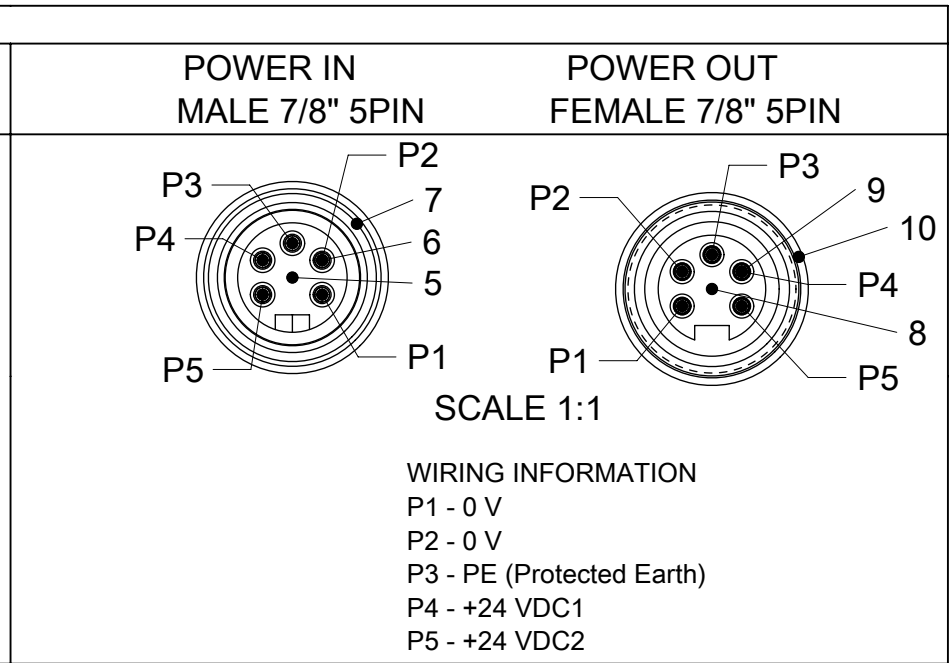
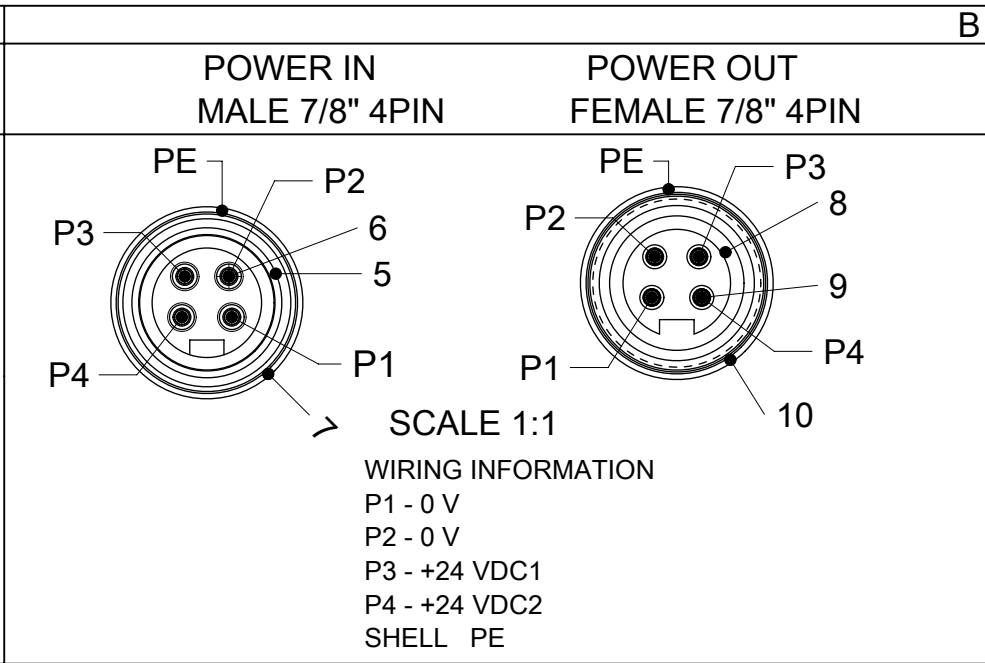
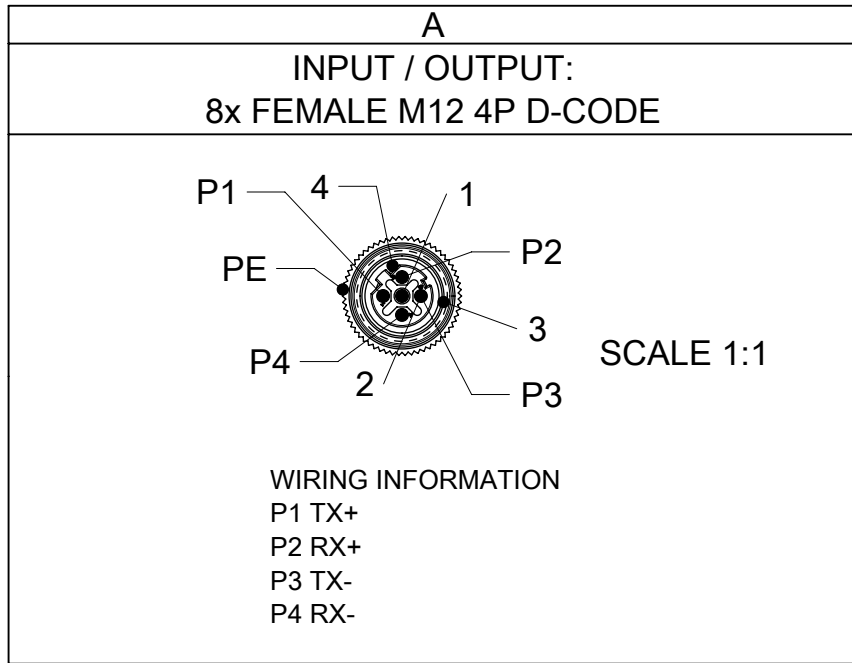
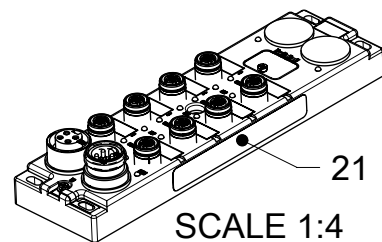
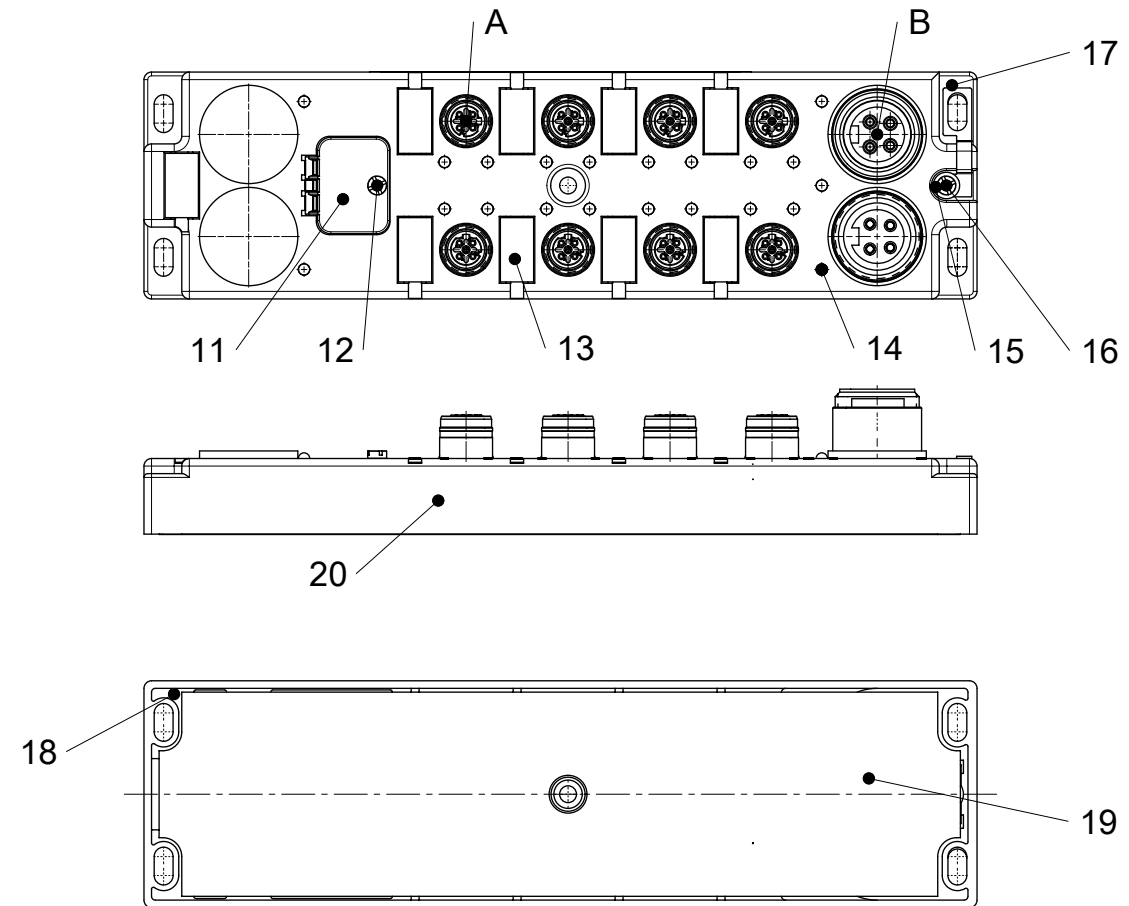


THIS DRAWING CONTAINS INFORMATION THAT IS PROPRIETARY TO MOLEX ELECTRONIC TECHNOLOGIES, LLC AND SHOULD NOT BE USED WITHOUT WRITTEN PERMISSION											
QUALITY SYMBOLS ▽A = 0 ▽E = 0 ▽F = 0 ▼ = 0 ▽C = 0 ⊠ = 0 ■ = 0 ▽ = 0	EC NO: 112820 DRWN: ULETTENMEIER CHK'D: RSILLER APPR: RSILLER	2017/01/24 2017/01/26	GENERAL TOLERANCES (UNLESS SPECIFIED)		DIMENSION UNITS	SCALE					
			ANGULAR TOL ± °		MM	1:1					
			4 PLACES ±	DATE		DBO ETH SW 60 MM 7/8" 4P AC MA FE U12 4P 8PT DC FE					
			3 PLACES ±	DATE		PRODUCT CUSTOMER DRAWING					
			2 PLACES ±	DATE		SERIES MATERIAL NUMBER CUSTOMER					
1 PLACE ± 0.3	DATE		112105 SEE TABLE 1 GENERAL MARKET								
0 PLACES ± 0.5	DATE		DOCUMENT NUMBER DOC TYPE DOC PART SHEET NUMBER								
DRAFT WHERE APPLICABLE MUST REMAIN WITHIN DIMENSIONS			DRAWING SIZE		THIRD ANGLE PROJECTION						
A2			A3		1121055004 PSD 000 1 OF 3						



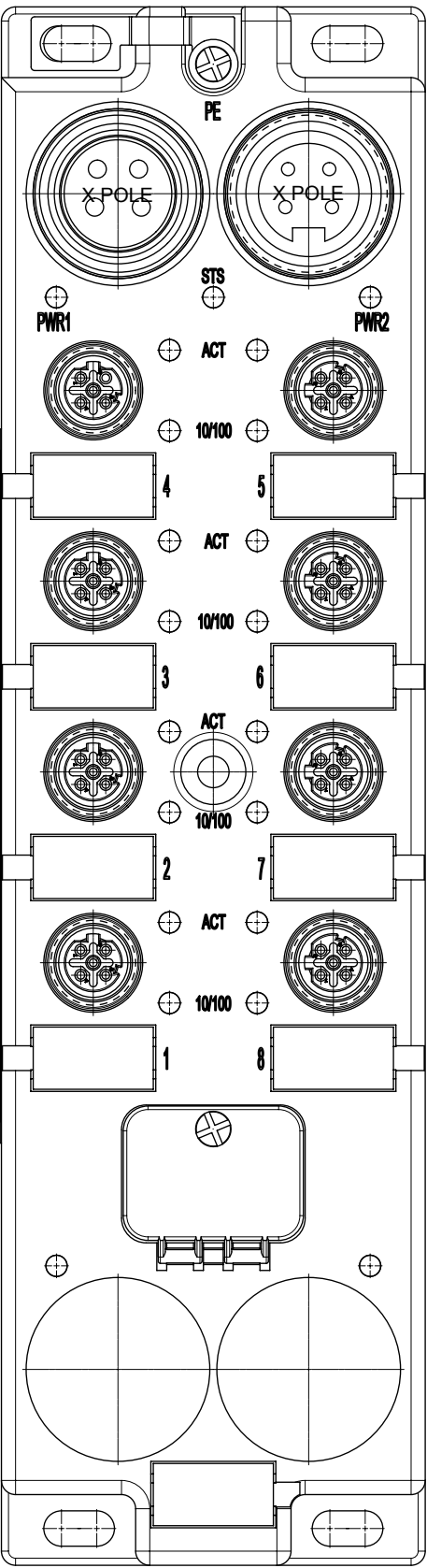
BILL OF MATERIAL

ITEM	DESCRIPTION	MATERIAL	FINISH
1	INSERT	TPU	BLACK
2	CONTACT	COPPER ALLOY	GOLD OVERNICKEL
3	SHELL	BRASS	NICKEL PLATET
4	GASKET	FPM	RED
5	INSERT	TPE	YELLOW
6	CONTACT	COPPER ALLOY	GOLD OVERNICKEL
7	SHELL	BRASS	NICKEL PLATET
8	INSERT	TPE	YELLOW
9	CONTACT	COPPER ALLOY	GOLD OVER NICKEL
10	SHELL	BRASS	NICKEL PLATET
11	WINDOW	PC	TRANSPARENT
12	SCREW	V2A	V2A
13	LABEL	PC	WHITE
14	FIBER OPTIC	PA	TRANSPARENT
15	WASHER	BRASS	NICKEL PLATET
16	SCREW	V2A	V2A
17	SHIELD PLATE	STAINLESS STEEL	STAINLESS STEEL
18	RESIN	EPOXY	TRANSPARENT
19	LABEL	PVC	WHITE
20	HOUSING	PBT	BLACK
21	LABEL	PVC	YELLOW



THIS DRAWING CONTAINS INFORMATION THAT IS PROPRIETARY TO MOLEX ELECTRONIC TECHNOLOGIES, LLC AND SHOULD NOT BE USED WITHOUT WRITTEN PERMISSION

QUALITY SYMBOLS A = 0 E = 0 F = 0 G = 0 H = 0 I = 0 J = 0 K = 0 L = 0 M = 0 N = 0 O = 0	EC NO: 112820 DRWN: ULETTENMEIER CHK'D: RSILLER APPR: RSILLER	2017/01/24 2017/01/26	GENERAL TOLERANCES (UNLESS SPECIFIED) ANGULAR TOL ± ° 4 PLACES ± 3 PLACES ± 2 PLACES ± 1 PLACE ± 0.3 0 PLACES ± 0.5	DIMENSION UNITS: MM SCALE: 1:2 DRWN BY: ULETTENMEIER DATE: 2015/01/19 CHK'D BY: RSILLER DATE: 2015/06/25 APPR BY: RSILLER DATE: 2015/06/25	
	DRAFT WHERE APPLICABLE MUST REMAIN WITHIN DIMENSIONS				DBO ETH SW 60 MM 7/8" 4P AC MA FE U12 4P 8PT DC FE
	PRODUCT CUSTOMER DRAWING				SERIES: 112105 MATERIAL NUMBER: SEE TABLE 1 CUSTOMER: GENERAL MARKET
	DOCUMENT NUMBER: 1121055004 DOC TYPE: PSD DOC PART: 000 SHEET NUMBER: 2 OF 3				



UNIVERSAL PRINTING

TABLE 1 UNIVERSAL PRINTING					
POWER TYPE	INPUT / OUTPUT		EtherNet Switch		3D MODEL NO.
			ENG.NO.	MOLEX P/N	
7/8" 5 POLE	N/A	N/A	DRL-780	1121055002	1121055004 (PDM)
7/8" 4 POLE	N/A	N/A	DRL-781	1121055004	1121055004 (PDM)
	N/A	N/A	DRL-781-T	1121055005	

QUALITY SYMBOLS 	THIS DRAWING CONTAINS INFORMATION THAT IS PROPRIETARY TO MOLEX ELECTRONIC TECHNOLOGIES, LLC AND SHOULD NOT BE USED WITHOUT WRITTEN PERMISSION										
	EC NO: 112820 DRWN: ULETTENMEIER CHK'D: RSILLER APPR: 2017/01/26	GENERAL TOLERANCES (UNLESS SPECIFIED)		DIMENSION UNITS	SCALE	 DBO ETH SW 60 MM 7/8" 4P AC MA FE U12 4P 8PT DC FE					
		ANGULAR TOL ± °		MM	1:1						
		4 PLACES ±	DRWN BY		DATE	PRODUCT CUSTOMER DRAWING SERIES: 112105 MATERIAL NUMBER: SEE TABLE 1 CUSTOMER: GENERAL MARKET					
		3 PLACES ±	ULETTENMEIER		2015/01/19						
		2 PLACES ±	CHK'D BY		DATE	DOCUMENT NUMBER: 1121055004 DOC TYPE: PSD DOC PART: 000 SHEET NUMBER: 3 OF 3					
	1 PLACE ± 0.3	RSILLER		2015/06/25							
	0 PLACES ± 0.5	APPR BY		DATE	DRAWING SIZE: A3 THIRD ANGLE PROJECTION						
	DRAFT WHERE APPLICABLE MUST REMAIN WITHIN DIMENSIONS										