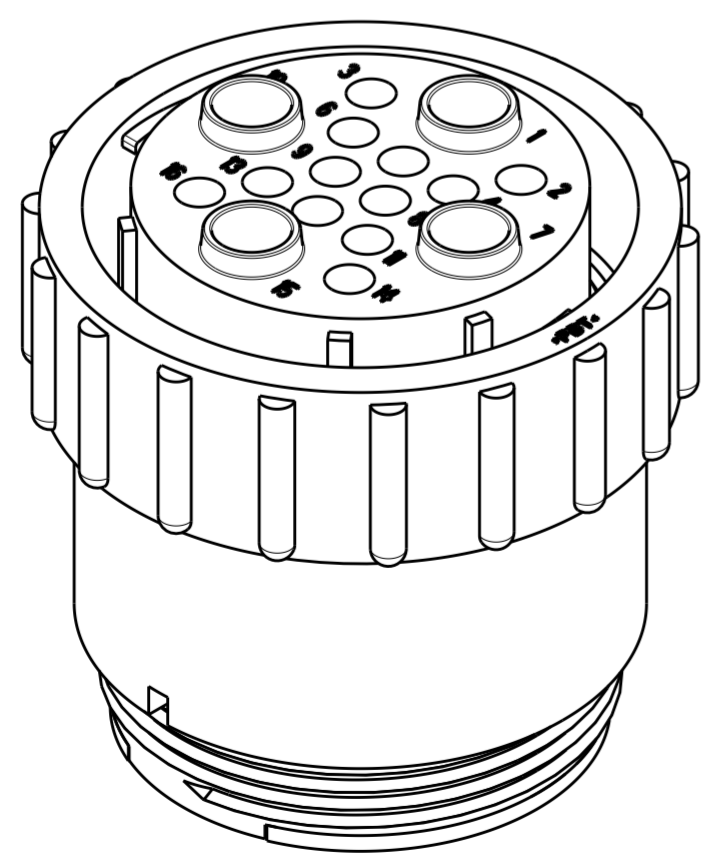
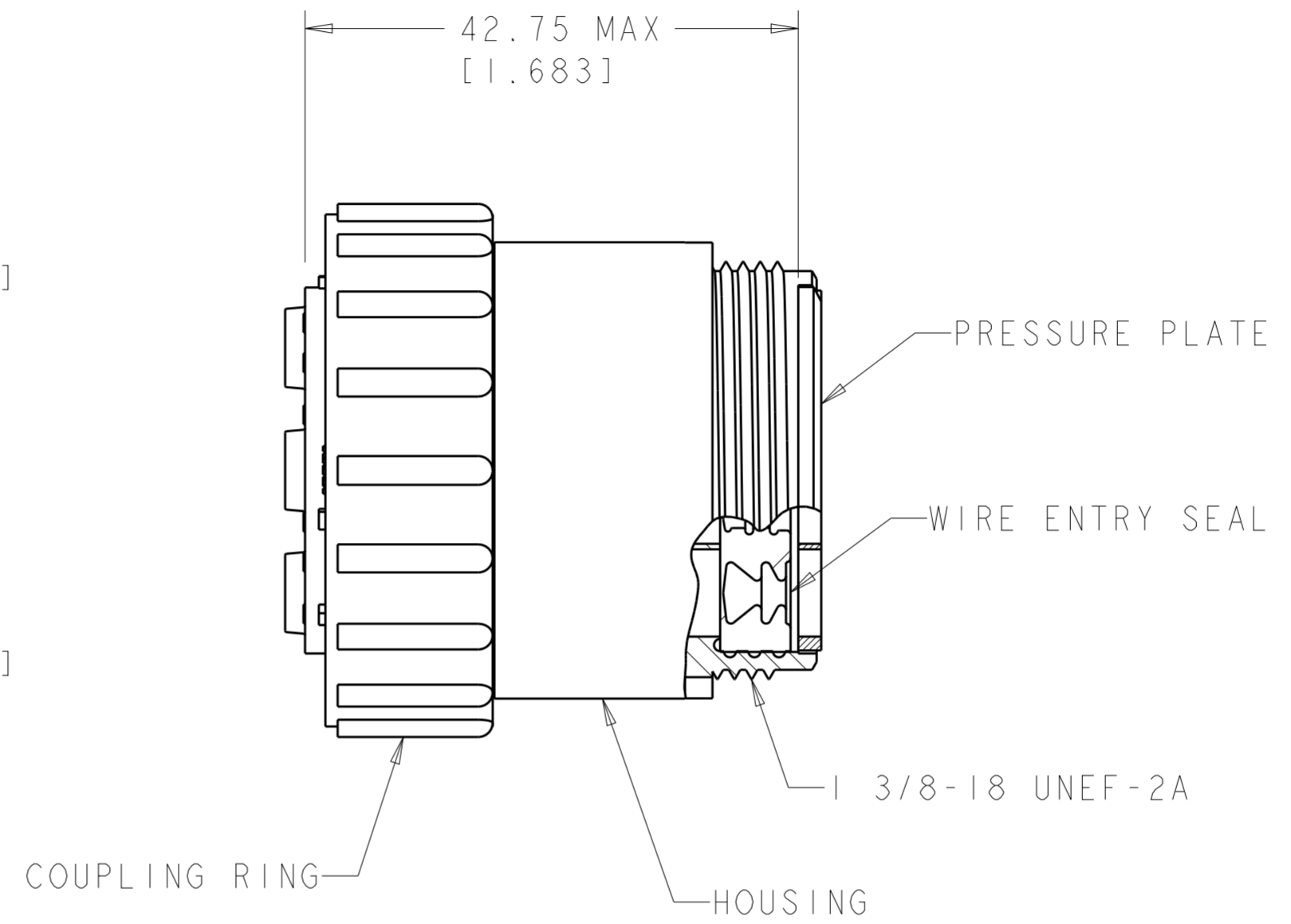
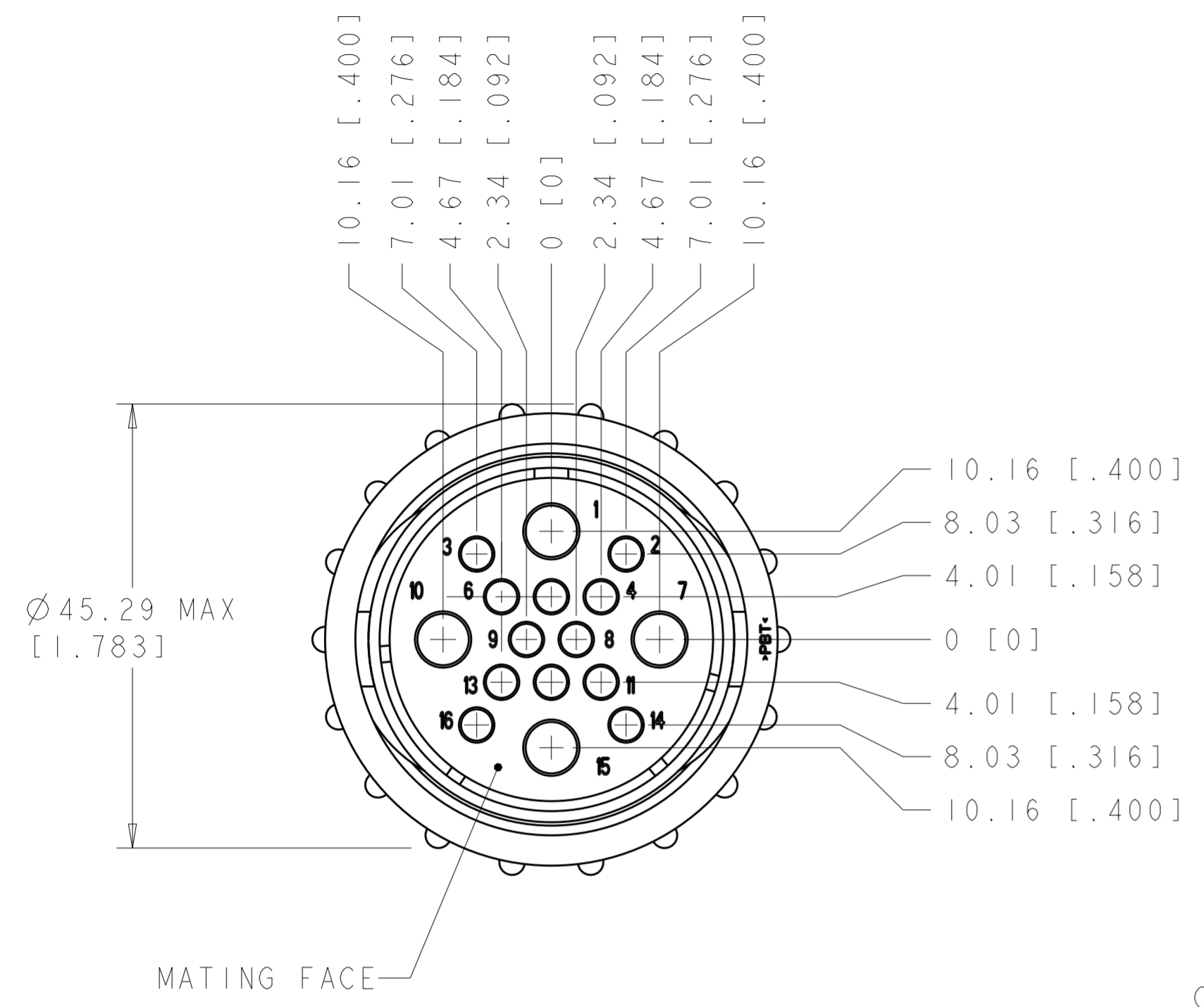


THIS DRAWING IS UNPUBLISHED. RELEASED FOR PUBLICATION
 © COPYRIGHT copyright.d8Te- ALL RIGHTS RESERVED.

REVISIONS				
P	LTR	DESCRIPTION	DATE	APVD
	B1	REVISED PER ECO-16-004800	12SEP2016	NK MZ



- 1 HOUSING & PRESSURE PLATE: NYLON, BLACK.
WIRE ENTRY SEAL: ELASTOMER, RED-IRON OXIDE.
COUPLING RING: POLYESTER, BLACK.
- 2. CONNECTOR WILL ACCEPT (12) MULTIMATE SOCKET AND (4) POWER SOCKET CONTACTS.

OBSOLETE	POWER	-796203-2-
	STD	796203-1
	WIRE ENTRY SEAL	PART NUMBER

THIS DRAWING IS A CONTROLLED DOCUMENT.		DWN S. WELDON 30AUG1999	TE Connectivity	
DIMENSIONS: mm [INCHES]		CHK K. DOWHOWER 30AUG1999		
TOLERANCES UNLESS OTHERWISE SPECIFIED:		APVD K. DOWHOWER 30AUG1999	NAME PLUG ASSEMBLY, SERIES 6, STANDARD SEX, SIZE 23-16, CIRCULAR PLASTIC CONNECTOR	
0 PLC ± 1 PLC ± 2 PLC ±0.02 3 PLC ± 4 PLC ± ANGLES ± FINISH -		PRODUCT SPEC 108-1579	SIZE A2	CAGE CODE G-796203
MATERIAL		APPLIC. SPEC	DRAWING NO	RESTRICTED TO
		WEIGHT	SCALE 2:1	SHEET 1 OF 1
CUSTOMER DRAWING		REV B1		