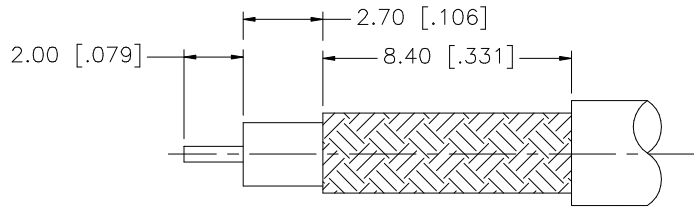
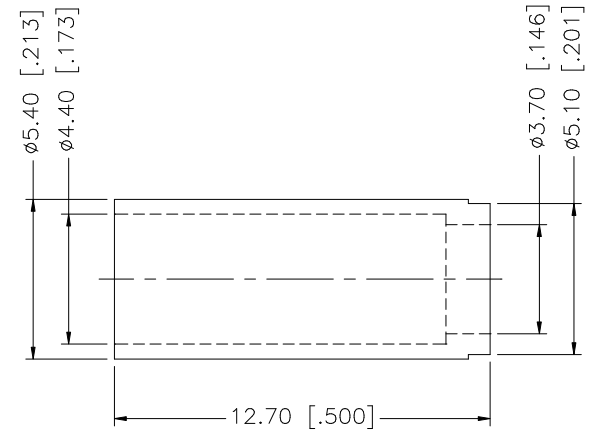
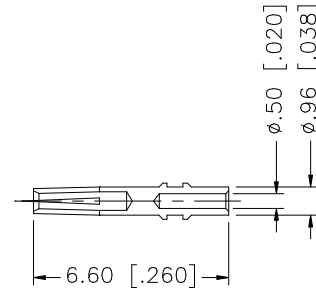
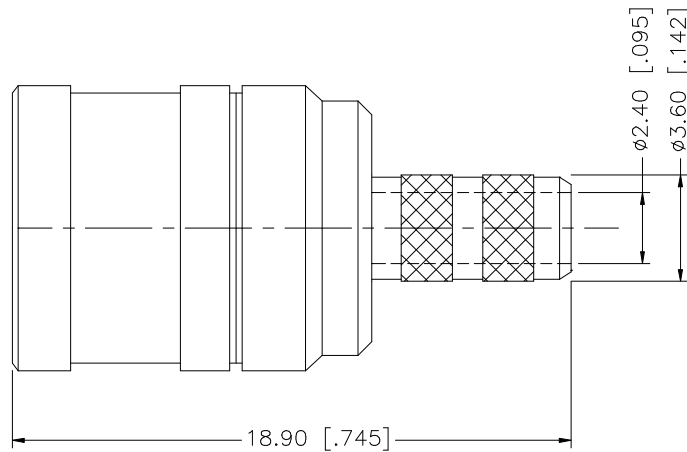


REV.	DATE	DESCRIPTION
NC	03/06/00	INITIAL RELEASE
A	12/12/05	UPDATE DRAWING FORMAT



RECOMMENDED  
CABLE STRIPPING DIM'S



NOTE:

1. CRIMPED FERRULE  
HEX CRIMP SIZE .178"
2. CONTACT PIN TO SOLDER.

8				
7			1	
6				
5				
4	FERRULE	BRASS	GOLD	
3	CONTACT PIN	BER. COPPER	GOLD	1
2	INSULATOR	TEFLON	NATURAL	1
1	BODY	BRASS	GOLD	1
	DESCRIPTION	MATERIAL	FINISH	QTY

UNLESS OTHERWISE SPECIFIED DIMENSIONS ARE IN MILLIMETERS. DIMENSIONS IN [ ] ARE IN INCHES AND FOR CUSTOMER REFERENCE ONLY.

UNLESS OTHERWISE SPECIFIED TOLERANCES FOR MILLIMETERS ARE:  
0.5 - 8mm ± 0.20mm  
8 - 30mm ± 0.40mm  
30 - 120mm ± 0.50mm

UNLESS OTHERWISE SPECIFIED TOLERANCES FOR INCHES ARE:  
.020 - .315 = ± 0.007"  
.315 - 1.180 = ± 0.015"  
1.180 - 4.724 = ± 0.020"

DO NOT SCALE DRAWING

APPROVALS		DATE
DRAWN	G.R.S.	12/12/05
CHECKED		
ISSUED		
SHEET	1 OF 1	
CAD FILE	C:/142/142222-75.DWG	

# Amphenol Connex

PART DESCRIPTION

MINI 75ohm SMB CRIMP PLUG  
(FOR AT&T 735A CABLE)

PART NO.

142222-75

DWG. NO.

142222-75.DWG

REV. A

SIZE A

SCALE NA