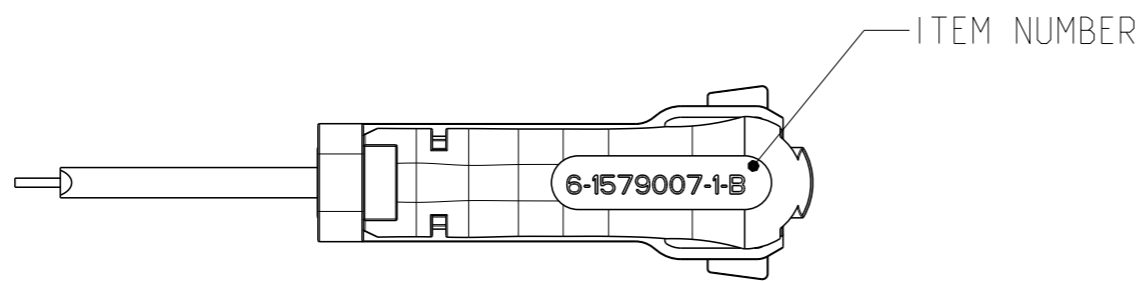
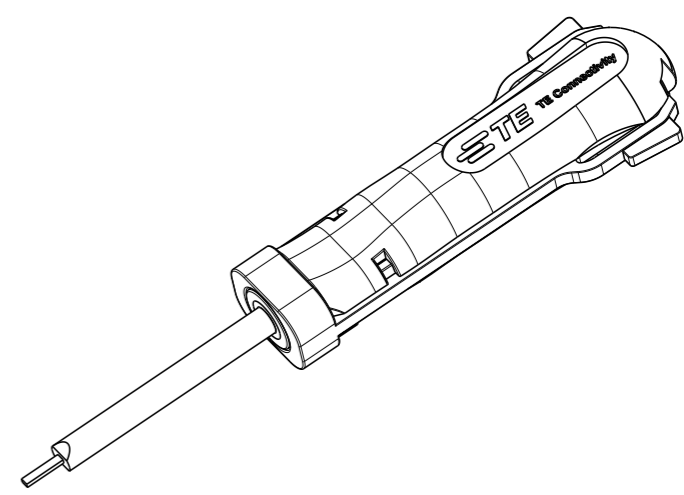
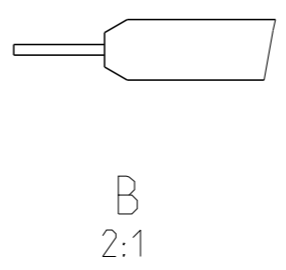
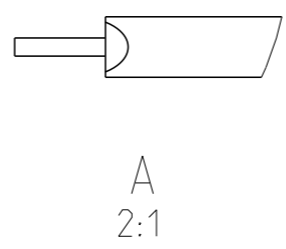
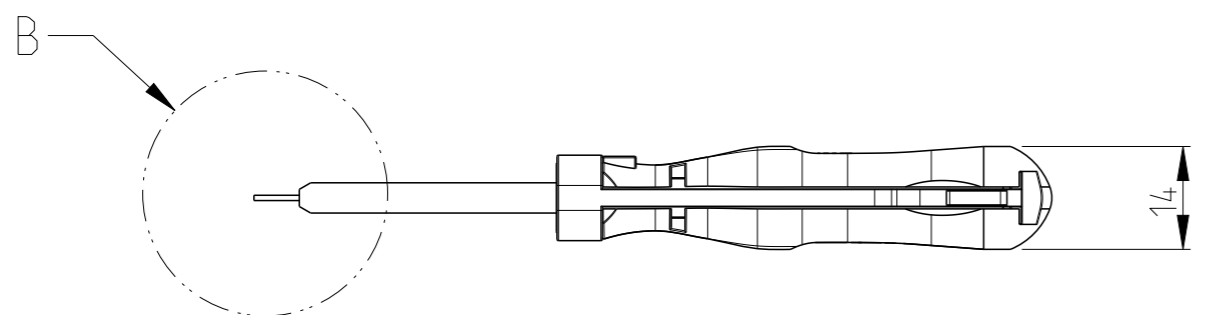
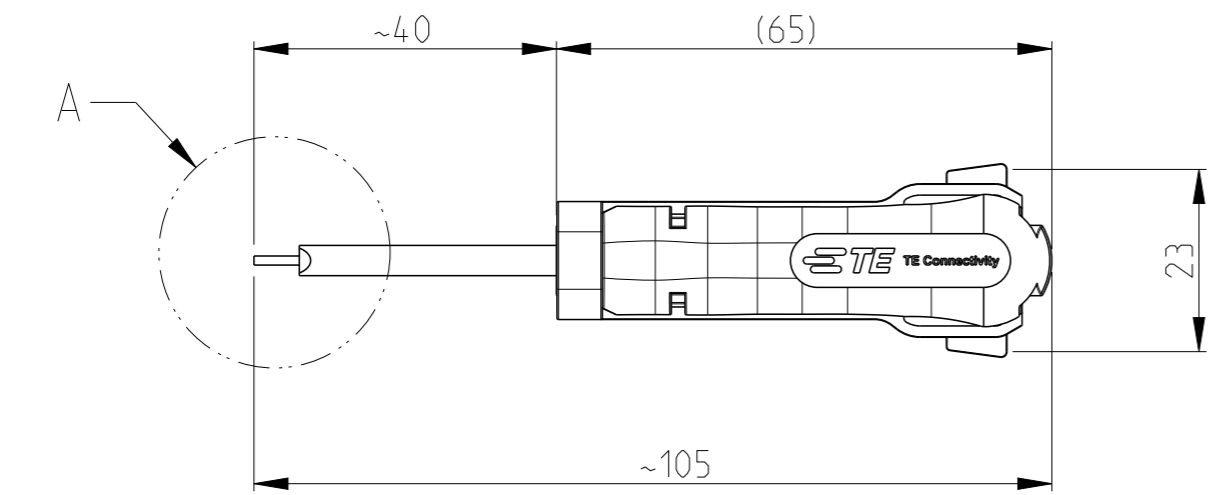


REVISIONS

P	LTR	DESCRIPTION	DATE	DWN	APVD
	B1	ECR-16-014888	21OCT2016	KH	BM

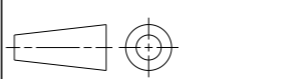


APPLICATION RANGE /Anwendungsbereich:

FOR MQS/MQS1.2      963715, 928999,  
 1411560, 928918  
 962885 and 963727

THIS DRAWING IS A CONTROLLED DOCUMENT.

DIMENSIONS: mm



MATERIAL: -

TOLERANCES UNLESS OTHERWISE SPECIFIED:

0 PLC	±
1 PLC	±
2 PLC	±
3 PLC	±
4 PLC	±
ANGLES	±1°
FINISH	-

DWN H. Fink 18DEC06

CHK G. Stegmayer 13DEC2006

APVD G. Stegmayer 13DEC2006

PRODUCT SPEC -

APPLICATION SPEC -

WEIGHT 0.050kg

CUSTOMER DRAWING



TE Connectivity

NAME: EXTRACTION TOOL  
 Entriegelungswerkzeug

SIZE: A3	CAGE CODE: 00779	DRAWING NO: C-6-1579007-1	RESTRICTED TO: -
----------	------------------	---------------------------	------------------

SCALE: 5:1      SHEET: 1 OF 1      REV: B1