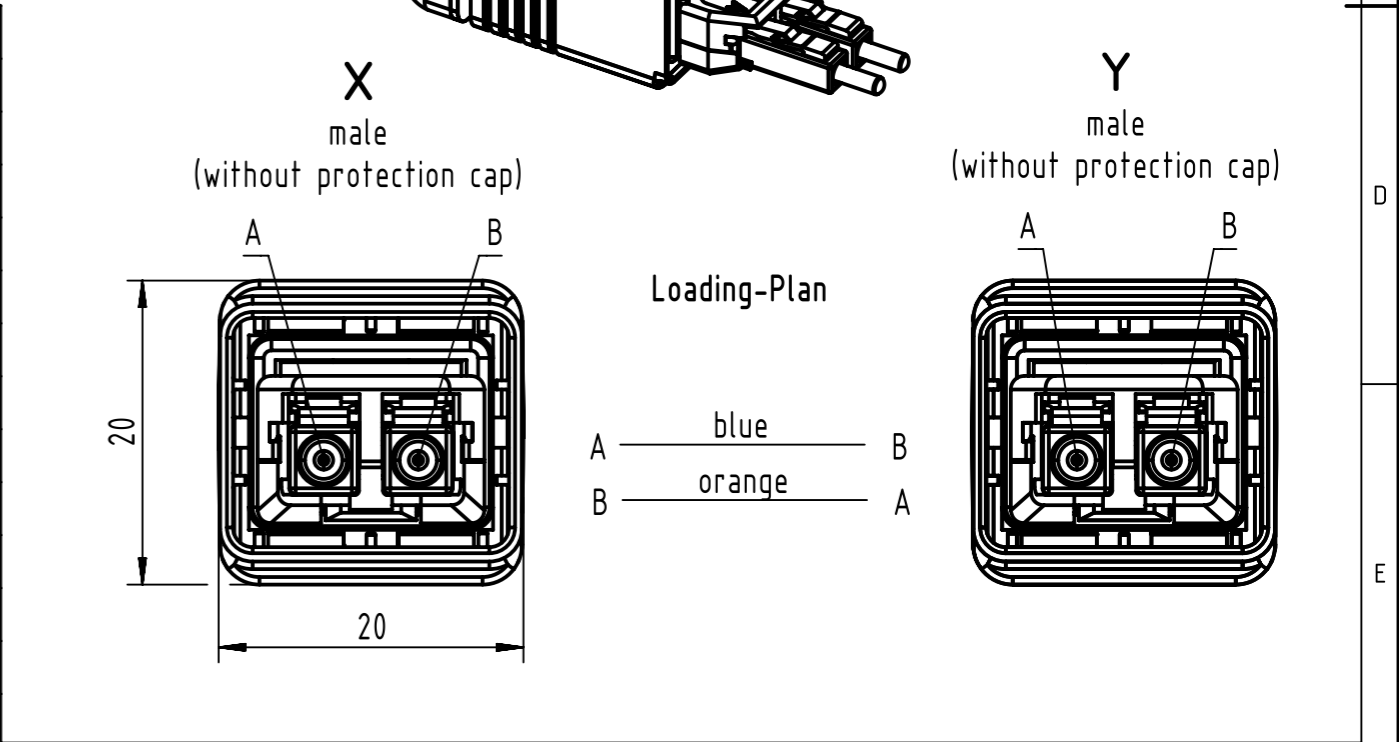


Cont. no.	Part - no.	Type of cable	Dim. a[m]	Tolerance [m]
18	33582313000016	F.O. Breakout cable, 2-channel, 62.5/125µm, MM, PUR, black	300	± 1%
17	33582311000016		100	
16	33582310600016		60	
15	33582310500016		50	
14	33582310400016		40	
13	33582310300016		30	
12	33582310200016		20	
11	33582310150016		15	
10	33582310100016		10	
9	33582320750016		7.5	
8	33582310070016		7	
7	33582310050016		5	
6	33582310040016		4	
5	33582310030016		3	
4	33582320250016		2.5	
3	33582310020016		2	
2	33582320150016		1.5	
1	33582310010016		1	± 0.015



		All Dimensions in mm		Tech. Character.		Free size tol.		According to production drawing	
All rights reserved Department HCS - RO		Created by COSTEA		Inspected by MUNTEANV		Standardisation AVRAM		Date 2017-10-20	
HARTING Customised Solutions D-32427 Minden		Title <b>HARTING PushPull LC Cable Assembly</b>				State Final Release		Doc-Key / ECM-Nr. 100201174/UGD/015/B 500000126860	
		Type TB		Number 335823XXXX0016		Rev. B		Page 1/1	