

F

E

D

C

B

A

F

E

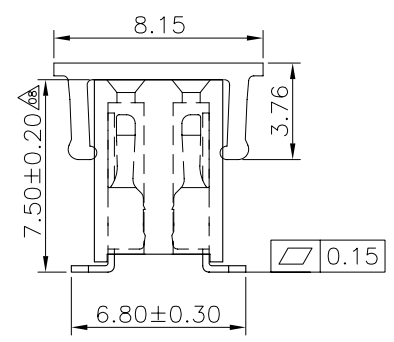
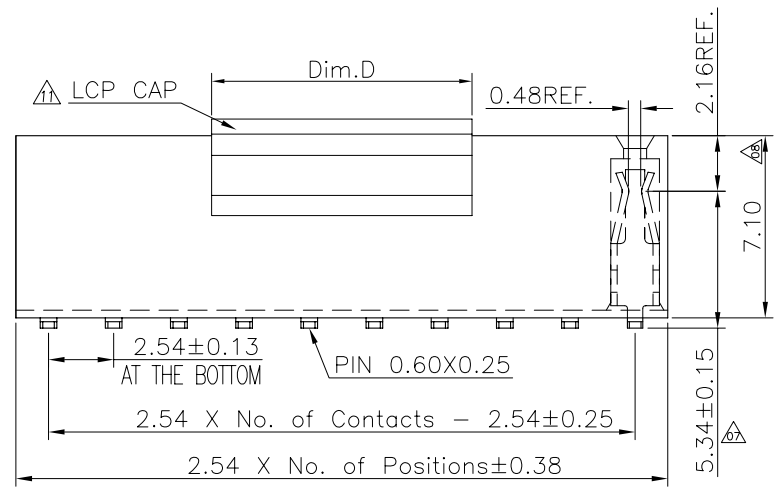
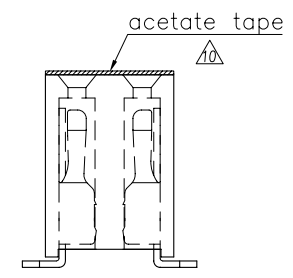
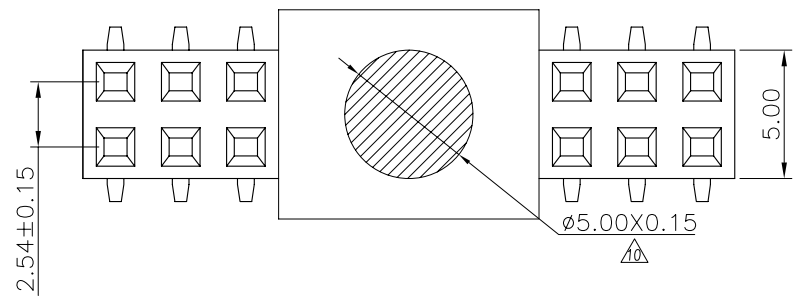
D

C

B

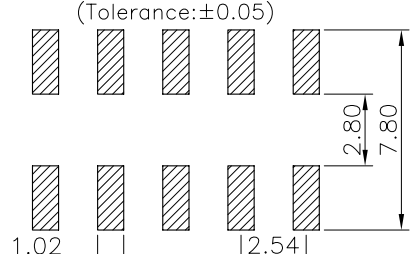
A

REV.	LOCAS.	DESCRIPTION	DATE	DRAWN
07	△7	依業務要求新增5.34尺寸及標注公差，并變更圖號	2011.03.03	蒙華明
08	△8	依業務要求變更尺寸公差	2011.03.04	李芳忠
09	△9	更正塑膠材質	2012.02.03	李芳忠
10	△10	依上級要求變更膠紙配方	2013.01.21	李芳忠
11	△11	依業務要求標明CAP材質	2013.11.20	李芳忠

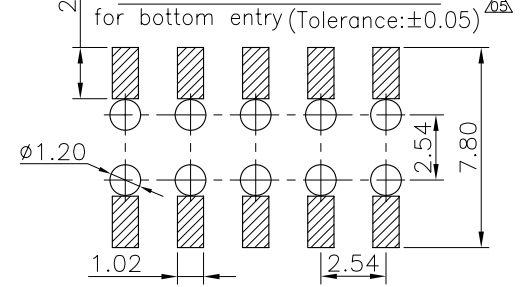


Specifications
 Current Rating: 3Amp
 Insulation Resistance: 1000MΩMin.
 Dielectric Withstanding Voltage: 600VAC
 Contact Resistance: 20mΩMax.
 Operating Temperature: -40°C to +105°C
Materials
 Contact Material: Phosphor Bronze
 Insulator Material: High Temperature Thermoplastic, UL 94V-0 Nylon 6T or △9 the equivalent material
 All materials must meet Greenconn requirement for environment protection.
Mating Data
 Mates with 0.64mm square pins. Top entry mating length=2.70 to 6.80mm. Bottom entry mating length=7.50 to 8.20mm.

Recommended P.C.Board Layout



Recommended P.C.B.Layout for bottom entry (Tolerance: ±0.05)



Ordering Information △

C SHC221 - XX XX A 001 B 1 A X

- No. of Pins per Row: 02~40
- Standard Plating: 02=Gold Flash
- Selective Plating: 01=Tin, 05=Gold Flash/Tin
- Color: 1=Black
- Standard Packing: C=Tube
- Selective Packing: A=Box, E=Cap+Tube, F=Cap+Tape&Reel, G=Acetate Tape+Tube, H=Acetate Tape+Tape&Reel

Dim.D	NOTE
4.00mm	02~07pins
10.15mm	08~40pins

格菱股份有限公司
Greenconn Corporation

GENERAL TOLERANCE	
X.*±5.0°	X.±0.30
.X*±3.0°	.X±0.25
.XX*±2.0°	.XX±0.15
.XXX*±1.0°	.XXX±0.10

DESIGN: 李芳忠
 CHECKED: 劉北平
 AUDITED:
 APPROVED:

DATE: 2013.11.20
 DATE: 2013.11.20
 DATE:
 DATE:

DWG. NO. △△
 CSHC221-CA1BA
 PART NO. △
 CSHC221-XXXX A001B1AX

TITLE:
 2.54 FEMALE HEADER
 DUAL ROWS SMT TYPE
 CONNECTOR