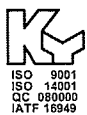
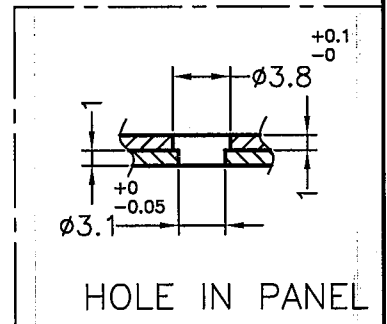


PART NO.	MATERIAL
LEM-90	PC UL94V-2
LEM-90V0	PC UL94V-0

NOTE: MADE OF EQUIVALENT MATERIAL.
均可使用同等材質。



康揚企業股份有限公司
KANG YANG HARDWARE ENTERPRISE CO., LTD.
康揚塑膠(東莞)有限公司
KANG YANG PLASTIC(DONG GUAN)CO.,LTD.
康哲電腦配件(吳江)有限公司
KANG CHE COMPUTER COMPONENTS(WUJIANG)CO.,LTD.

PROPRIETARY AND CONFIDENTIAL THE INFORMATION CONTAINED IN THIS DRAWING IS THE SOLE PROPERTY OF KANG YANG HARDWARE ENTERPRISE CO. ANY REPRODUCTION IN PART OR AS A WHOLE WITHOUT THE WRITTEN PERMISSION OF KANG YANG HARDWARE ENTERPRISE CO. IS PROHIBITED.	DATE	TITLE	DWG. NO.	PART NO.	
	2010.08.13	LIGHT PIPE	LEM-90	SEE ABOVE	
	DRAWN	MATERIAL	SIZE	SPEC. DWG.	REV
	SAI	SEE ABOVE	A4		A
CHECKED	COLOR	FINISH	SCALE: 2:1	UNIT	SHEET 1 OF 1
	TRANSPARENT		mm		
APPROVED	UNLESS OTHERWISE SPECIFIED TOLERANCE: SEE ABOVE				
DO NOT SCALE DRAWING					