

QPD C3PE2,5 2X9-14 BK - Conductor connectors



1423990

<https://www.phoenixcontact.com/us/products/1423990>

Please be informed that the data shown in this PDF document is generated from our online catalog. Please find the complete data in the user documentation. Our general terms of use for downloads are valid.



Conductor connectors, QUICKON connection, number of positions: 3+PE, 1 mm² ... 2.5 mm², 690 V, 20 A, black, With two QUICKON nuts, external cable diameter: 9 mm ... 14 mm, QUICKON fast connection

Your advantages

- Innovative and time saving - QUICKON fast connection for time saving of up to 80 % for on-site connection
- Robust throughout: housing with IP68/IP69K and IK07 protection for a wide range of applications
- Safer connection with mechanical coding to protect against mismatching, and touch-proof protection in accordance with DIN EN 0105
- Easy and safe - with the cable connector, you can repair or extend cables quickly, in combination with the connector as well as the coupling connection

Commercial data

Item number	1423990
Packing unit	1 pc
Minimum order quantity	1 pc
Sales key	BF50
Product key	BF6CBB
Catalog page	Page 483 (C-2-2019)
GTIN	4055626366074
Weight per piece (including packing)	62.9 g
Weight per piece (excluding packing)	22.22 g
Customs tariff number	85366990
Country of origin	PL

1423990

<https://www.phoenixcontact.com/us/products/1423990>

Technical data

Mounting

Connection method	QUICKON fast connection
-------------------	-------------------------

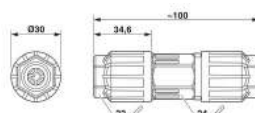
Product properties

Type	QPD 4x2,5
Product type	Cable connector
Product family	QPD
Number of positions	4
Connection profile	3+PE
Position marking	1, 2, 3, PE
Number of connections per position	1
Series	QPD
Coding	Coding profile

Insulation characteristics

Overvoltage category	III
Degree of pollution	3

Dimensions

Dimensional drawing	
Width	30 mm
Height	30 mm
Length	100 mm
Diameter	30 mm

Connection data

Connection technology

Connection method	QUICKON fast connection
Connection system, internal	IDC connection
Connection technology	QUICKON connection
Frequency of connections between conductors of the same cross section	max. 10

Conductor connection

Conductor cross section rigid	1 mm ² ... 2.5 mm ²
Conductor cross section flexible	1 mm ² ... 2.5 mm ²
Conductor cross section AWG	16 ... 14
Tightening torque, union nut	7 Nm

1423990

<https://www.phoenixcontact.com/us/products/1423990>

Electrical properties

Rated surge voltage (II/2)	6 kV
Rated surge voltage (III/2)	6 kV
Rated surge voltage (III/3)	6 kV
Rated current	20 A
Contact resistance	< 3 mΩ
rated voltage (II/2)	1000 V
rated voltage (III/2)	690 V
Rated voltage (III/3)	690 V
Nominal voltage U_N	690 V AC
	690 V DC
Nominal current I_N	20 A

Mechanical properties

Mechanical data

Insertion/withdrawal cycles	max. 50
-----------------------------	---------

Material specifications

Material	PA
Flammability rating according to UL 94	V0
Contact material	Cu
Contact surface material	silver-plated
Contact carrier material	PA

Cable/line

Structure of individual litz in acc. with VDE 0295 / smallest wire diameter	VDE 0295 class 1 to 6/min. 0.15 mm
External cable diameter ()	9 mm ... 14 mm
Wire diameter including insulation	2 mm ... 3.6 mm
Position marking	1, 2, 3, PE
Material wire insulation	PVC/PE/TPE/rubber
Halogen-free	yes

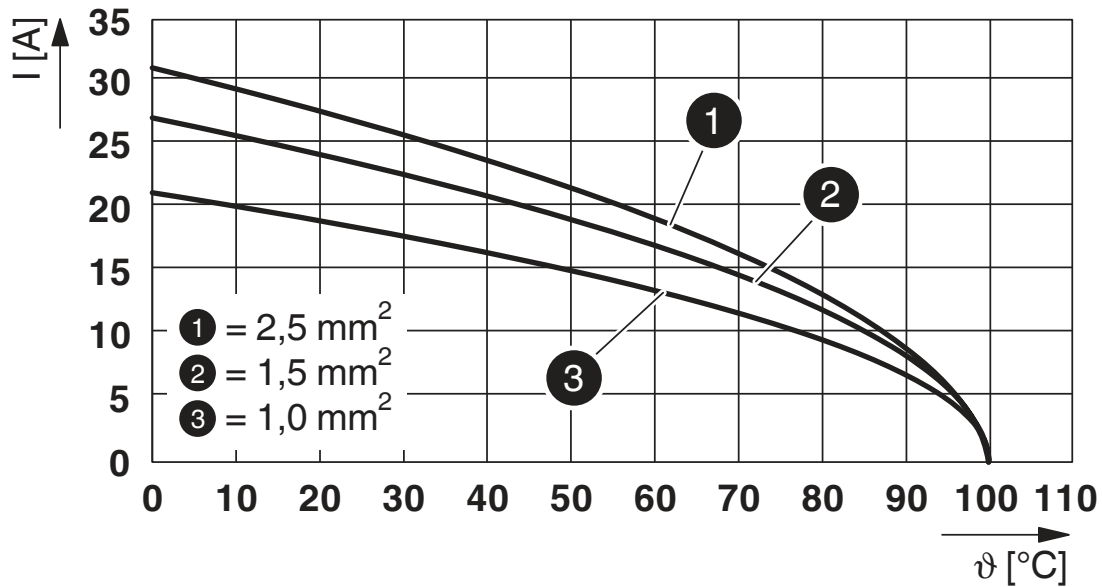
Environmental and real-life conditions

Ambient conditions

Degree of protection	IP66
	IP68 (2 m / 24 h)
	IP69K
Ambient temperature (operation)	-40 °C ... 100 °C
Temperature when conductor connected	-5 °C ... 50 °C
Ambient temperature (storage/transport)	-40 °C ... 100 °C

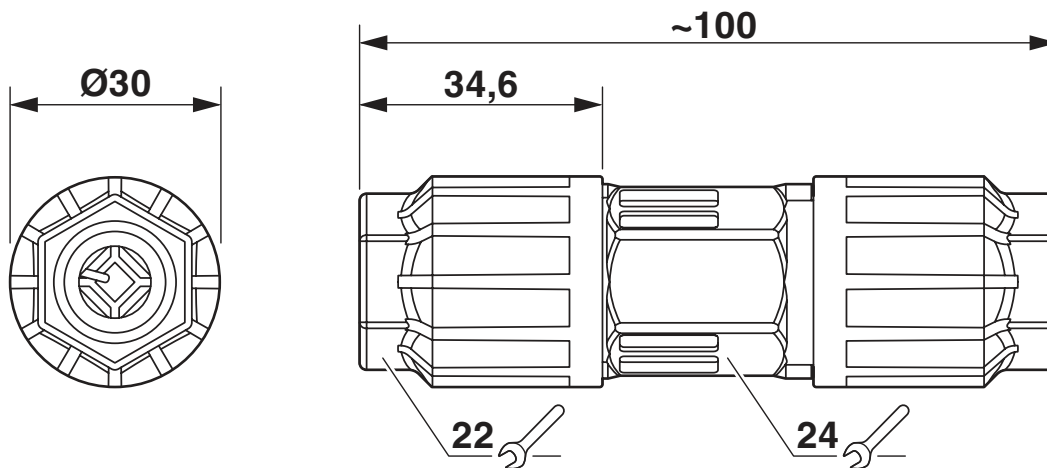
Drawings

Diagram



Derating diagram

Dimensional drawing



Dimensional drawing

QPD C3PE2,5 2X9-14 BK - Conductor connectors



1423990

<https://www.phoenixcontact.com/us/products/1423990>

Approvals

To download certificates, visit the product detail page: <https://www.phoenixcontact.com/us/products/1423990>



IECEE CB Scheme

Approval ID: DE1-65875



EAC

Approval ID: RU C-DE.BL08.B.00511



VDE Zeichengenehmigung

Approval ID: 40029149

	Nominal voltage U_N	Nominal current I_N	Cross section AWG	Cross section mm^2
Only flexible conductors	400 V	20 A	-	1.5 - 2.5
Only rigid conductors	690 V	20 A	-	1.5 - 2.5



UL Listed

Approval ID: E468743

	Nominal voltage U_N	Nominal current I_N	Cross section AWG	Cross section mm^2
	600 V	15 A	-	- 14



cUL Listed

Approval ID: E468743

	Nominal voltage U_N	Nominal current I_N	Cross section AWG	Cross section mm^2
	600 V	15 A	- 14	-

cULus Listed

QPD C3PE2,5 2X9-14 BK - Conductor connectors



1423990

<https://www.phoenixcontact.com/us/products/1423990>

Classifications

ECLASS

ECLASS-11.0	27440605
ECLASS-12.0	27440605
ECLASS-13.0	27440605

ETIM

ETIM 8.0	EC002560
----------	----------

UNSPSC

UNSPSC 21.0	39121400
-------------	----------

QPD C3PE2,5 2X9-14 BK - Conductor connectors



1423990

<https://www.phoenixcontact.com/us/products/1423990>

Environmental product compliance

China RoHS	Environmentally friendly use period: unlimited = EFUP-e
	No hazardous substances above threshold values

QPD C3PE2,5 2X9-14 BK - Conductor connectors



1423990

<https://www.phoenixcontact.com/us/products/1423990>

Accessories

CP QPD 4X2,5 - Coding profile

1425950

<https://www.phoenixcontact.com/us/products/1425950>



Coding profile red, for pushing into the QUICKON dome and connector, can be positioned in 90° steps.

QPD QSK 5X1,5 - Protective cap

1414758

<https://www.phoenixcontact.com/us/products/1414758>



Protective cap plastic, for QPD-QUICKON connection 5x 1.5 mm², IP50

QPD C3PE2,5 2X9-14 BK - Conductor connectors

1423990

<https://www.phoenixcontact.com/us/products/1423990>



QPD QSK BK 5X1,5 FS - Protective cap

1414728

<https://www.phoenixcontact.com/us/products/1414728>

Protective cap, plastic, for QUICKON connection, black, with retaining cord, IP68



SEALING PLUG 14X22 RD - Closing cap

1400270

<https://www.phoenixcontact.com/us/products/1400270>

Closing cap, for threads pluggable, color: red



QPD C3PE2,5 2X9-14 BK - Conductor connectors



1423990

<https://www.phoenixcontact.com/us/products/1423990>

QPD W3PE2,5 9-14 M25 0,5 BK - Panel feed-through

1423980

<https://www.phoenixcontact.com/us/products/1423980>



Panel feed-through, QUICKON connection, number of positions: 3+PE, 1 mm² ... 2.5 mm², 690 V, 20 A, black, with QUICKON nut, external cable diameter: 9 mm ... 14 mm, assembly thread: M25, IDC connection (welded-on), 2.5 mm², wires cut flat at the end, cable length: 0.5 m

QPD W3PE2,5 9-14 M25 1,0 BK - Panel feed-through

1423979

<https://www.phoenixcontact.com/us/products/1423979>



Panel feed-through, QUICKON connection, number of positions: 3+PE, 1 mm² ... 2.5 mm², 690 V, 20 A, black, with QUICKON nut, external cable diameter: 9 mm ... 14 mm, assembly thread: M25, IDC connection (welded-on), 2.5 mm², wires cut flat at the end, cable length: 1 m

QPD C3PE2,5 2X9-14 BK - Conductor connectors

1423990

<https://www.phoenixcontact.com/us/products/1423990>



QPD W3PE2,5 9-14 M25 FC BK - Panel feed-through

1423981

<https://www.phoenixcontact.com/us/products/1423981>



Panel feed-through, QUICKON connection, number of positions: 3+PE, 1 mm² ... 2.5 mm², 690 V, 20 A, black, with QUICKON nut, external cable diameter: 9 mm ... 14 mm, assembly thread: M25, Spade connection, 2.5 mm²

QPD W3PE2,5 9-14 M25 DT BK - Panel feed-through

1423982

<https://www.phoenixcontact.com/us/products/1423982>



Panel feed-through, QUICKON connection, number of positions: 3+PE, 1 mm² ... 2.5 mm², 400 V, 20 A, black, with QUICKON nut, external cable diameter: 9 mm ... 14 mm, assembly thread: M25, Push-in connection, 2.5 mm²

QPD C3PE2,5 2X9-14 BK - Conductor connectors

1423990

<https://www.phoenixcontact.com/us/products/1423990>



QPD C3PE2,5 1X9-14 BK - Conductor connectors

1423992

<https://www.phoenixcontact.com/us/products/1423992>



Conductor connectors, QUICKON connection, number of positions: 3+PE, 1 mm² ... 2.5 mm², 690 V, 20 A, black, with one QUICKON nut, external cable diameter: 9 mm ... 14 mm, QUICKON fast connection

QPD T3PE2,5 2X9-14 BK - T distributor

1424048

<https://www.phoenixcontact.com/us/products/1424048>



T distributor, QUICKON connection, number of positions: 3+PE, 1 mm² ... 2.5 mm², 690 V, 20 A, black, With two QUICKON nuts, external cable diameter: 9 mm ... 14 mm

QPD C3PE2,5 2X9-14 BK - Conductor connectors

1423990

<https://www.phoenixcontact.com/us/products/1423990>



QPD T3PE2,5 3X9-14 BK - T distributor

1424046

<https://www.phoenixcontact.com/us/products/1424046>



T distributor, QUICKON connection, number of positions: 3+PE, 1 mm² ... 2.5 mm², 690 V, 20 A, black, With three QUICKON nuts, external cable diameter: 9 mm ... 14 mm

QPD H3PE2,5 4X9-14 BK - H distributor

1423972

<https://www.phoenixcontact.com/us/products/1423972>



H distributor, QUICKON connection, number of positions: 3+PE, 1 mm² ... 2.5 mm², 690 V, 20 A, black, with four QUICKON nuts, external cable diameter: 9 mm ... 14 mm

QPD C3PE2,5 2X9-14 BK - Conductor connectors

1423990

<https://www.phoenixcontact.com/us/products/1423990>



QPD N2,5 9-14 BK - Nut

1423994

<https://www.phoenixcontact.com/us/products/1423994>



Nut, QUICKON connection, 1 mm² ... 2.5 mm², 690 V, 20 A, black, external cable diameter: 9 mm ... 14 mm

QPD P3PE2,5 9-14 BK - Connector

1423988

<https://www.phoenixcontact.com/us/products/1423988>



Connector, QUICKON connection, number of positions: 3+PE, 1 mm² ... 2.5 mm², 690 V, 20 A, black, with QUICKON nut, external cable diameter: 9 mm ... 14 mm

QPD C3PE2,5 2X9-14 BK - Conductor connectors



1423990

<https://www.phoenixcontact.com/us/products/1423990>

QSS 22 - Socket wrench

1670206

<https://www.phoenixcontact.com/us/products/1670206>



Allen wrench, for loosening and fastening the QUICKON union nut, WAF 22 mm

Phoenix Contact 2023 © - all rights reserved

<https://www.phoenixcontact.com>

Phoenix Contact USA
586 Fulling Mill Road
Middletown, PA 17057, United States
(+717) 944-1300
info@phoenixcon.com