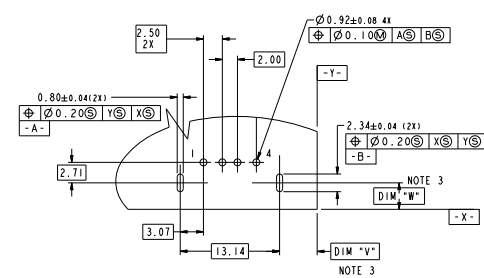
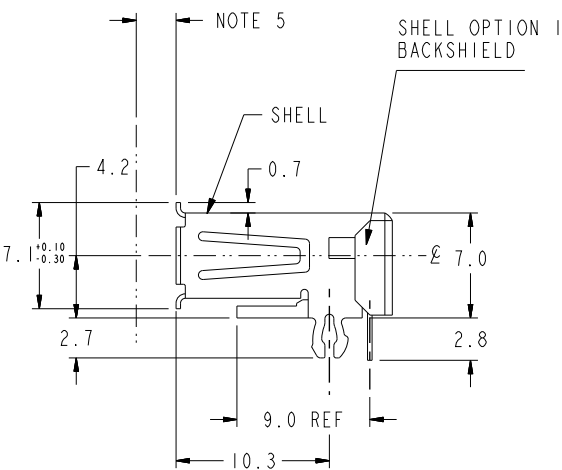
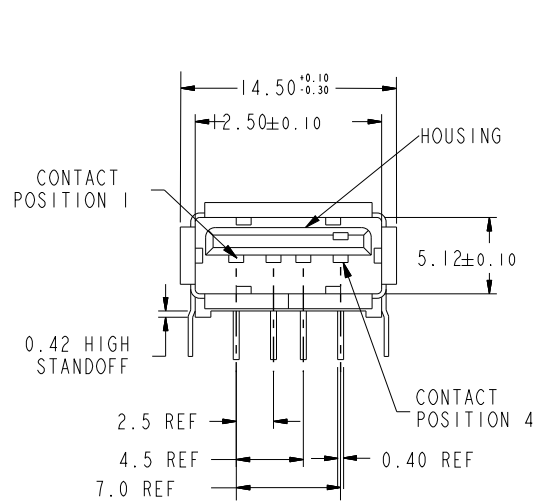


P.C. BOARD LAYOUT
RECOMMEND TYPE 1



P.C. BOARD LAYOUT
RECOMMEND TYPE 2



- NOTES:
- MATERIAL:
CONTACTS: COPPER ALLOY
SHELL: COPPER ALLOY
HOUSING: UL 94V-0 RATED THERMOPLASTIC;
 - PLATING:
CONTACTS: SEE PRODUCT NUMBER CODE
SHELL: SEE PRODUCT NUMBER CODE;
 - DATUM AND BASIC DIMENSIONS ESTABLISHED BY CUSTOMER;
 - RECOMMENDED PC BOARD THICKNESS OF 1.57mm (EXCEPT STYLE 5 1.20mm)
 - 2.67mm MAXIMUM PANEL THICKNESS IF MOUNTED BEHIND PANEL;
 - CONTACT PLATING CODE OPTION 1 DOES NOT MEET THE PLATING SPECIFIED PER UNIVERSAL SERIAL BUS SPECIFICATION REVISION 1.0;
 - PRODUCT SPEC GS-12-095 & PACKAGING SPEC GS-14-393;
 - COMPLIED WITH USB 2.0 & TID NUMBER 60000204;
 - 87520-1010XX, -1012XX, 3010XX, -3012XX, -5010XX, -6010XX AND -7010XXLF DURABILITY MET 5000 CYCLES THE OTHER DASH NUMBER MEET USB 2.0 DURABILITY 1500 CYCLES.
 - PACKING STANDARD GS-14-920. WILL BE APPLIED FOR LEAD FREE P/N'S;
 - FOR LEAD FREE P/N, THE PRODUCT MEET EUROPEAN UNION DIRECTIVES AND OTHER COUNTRY REGULATION AS DESCRIBED IN GS-22-008;
 - THE HOUSING WILL WITHSTAND EXPOSURE TO 260°C PEAK TEMPERATURE FOR 40 SECONDS IN A CONVECTION, INFRO-RED OR VAPOR PHASE REFLOW OVEN;
 - 87520-1010XXLF/-3010XXLF/-5010XXLF CAN WITHSTAND 2Amps CURRENT EITHER PARALLEL OR SERIALS (TESTING PLUG WITH 20 AWG WIRE);
 - THE PRODUCT CAN BE USED FOR PIP PROCESS.

spec ref		dr Keen Wu		2010/11/04		projection		size A4		scale 4.000	
tolerance std		eng Li-Qing Lei		2021/03/31						ecn no ELX-N-40522-1	
TOLERANCES UNLESS OTHERWISE SPECIFIED		chr -		-						rel level Released	
surface		appr Tim Yao		2021/04/29		product family		rev		87520	
linear		0.X		± 0.3		Amphenol FCI		USB RECEPTACLE		www.fci.com	
angular		0.XX		± 0.2		USB		cat. no.		Product - Customer Drw	
0.XXX		\pm								sheet 1 of 3	
0°		$\pm 3^\circ$									

Creo F-114; ELX-MC; AAC; REV F; 2020-12-21

Amphenol FCI

© 2020 Amphenol Corporation

PRODUCT NUMBER CODE

87520- X X X X X P X LF

BASE PRODUCT NUMBER

HOUSING COLOR AND SHELL PLATING OPTIONS

- 0 - WHITE+SHELL TIN & NICKEL PLATING
- 1 - BLACK+SHELL TIN & NICKEL PLATING
- 2 - WHITE+SHELL NICKEL PLATING ONLY
- 3 - BLACK+SHELL NICKEL PLATING ONLY
- 4 - WHITE FR50 + SHELL TIN & NICKEL PLATING FOR NON LEAD FREE P/N'S
CHANGE WHITE FR50 TO WHITE PA46 FOR LEAD FREE P/N'S
- 5 - BLACK NYLON 66 + SHELL TIN & NICKEL PLATING FOR NON LEAD FREE P/N'S
CHANGE BLACK NYLON 66 TO BLACK PA46 FOR LEAD FREE P/N'S
- 6 - WHITE FR50+SHELL TIN & NICKEL PLATING FOR NON LEAD FREE P/N'S
CHANGE WHITE FR50 TO WHITE PA46 FOR LEAD FREE P/N'S
- 7 - WHITE PA46+SHELL TIN & NICKEL PLATING

SHELL TYPE OPTION

- 0 - NO BACK SHIELD, SEE STYLE 1 FOR DURABILITY 1500 CYCLES
SEE STYLE 4 FOR DURABILITY 5000 CYCLES
- 1 - BACK SHIELD, SEE STYLE 2
- 2 - PARTIAL BACK SHIELD, SEE STYLE 3
- 5 - NO BACK SHIELD, SEE STYLE 4 WITH HIGH PERFORMANCE MATERIAL
FOR DURABILITY 15,000 CYCLES, NI PLATING ONLY

MOUNTING HOLE OPTIONS

- 1 - NONE

TERMINAL PLATING OPTION

- 0 - 1.25um Ni UNDERPLATE
0.76um GXT CONTACT AREA
2.50um MATTE TIN TAIL AREA FOR P/N'S
- 2 - 1.25um Ni UNDERPLATE
0.76um /30u" GXT CONTACT AREA
2.50um MATTE TIN TAIL AREA FOR P/N'S

PACKAGING OPTIONS

- A - TAPE AND REEL
- B - TUBES

DATE CODE

SPECIAL OPTION:

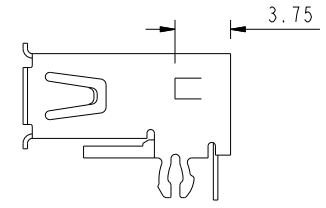
- S: PANASONIC ONLY
- B: FOR 1.20mm THICKNESS PCB
- C: FOR CRIMP SHELL TAIL OPTION
SHELL STYLE 6

LEAD FREE OPTION

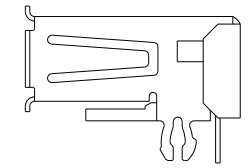
P/N'S WITH SUFFIX "LF" MEAN LEAD FREE PRODUCT
FOR LEAD FREE P/N, CHANGE ALL ORIGINAL TIN/LEAD PLATING TO PURE TIN PLATING

AVAILABLE PART NUMBER LIST

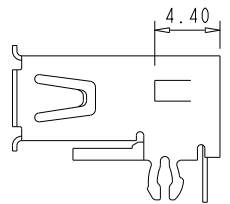
- 87520-0010XXLF
- 87520-0012XXLF
- 87520-0210XXLF
- 87520-1010XXLF
- 87520-1012XXLF
- 87520-0110XXLF
- 87520-0112XXLF
- 87520-1110XXLF
- 87520-1112XXLF
- 87520-2010XXLF
- 87520-2012XXLF
- 87520-2110XXLF
- 87520-2112XXLF
- 87520-2210XXLF
- 87520-3010XXLF
- 87520-3012XXLF
- 87520-3110XXLF
- 87520-3112XXLF
- 87520-4010XXLF
- 87520-4110XXLF
- 87520-5010XXLF/5010XXSLF
- 87520-5110XXLF
- 87520-6010XXLF
- 87520-7010XXSLF
- 87520-3010APBLF
- 87520-3S10XPLF
- 87520-3S12XPLF
- 87520-3S10XPBLF
- 87520-3S12XPBLF
- 87520-1010APBLF



STYLE 1 WITHOUT BACK SHELL

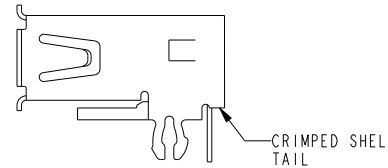


STYLE 2 WITH BACK SHELL

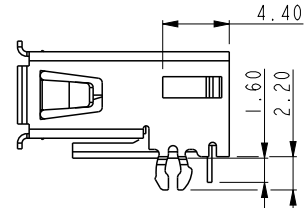


STYLE 4 WITHOUT BACK SHELL

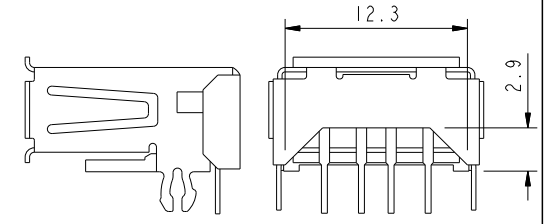
- FOR 87520-1010XXLF
- 1012XXLF
- 3010XXLF
- 3012XXLF
- 5012XXLF
- 6010XXLF
- 7010XXSLF
- 3S10XPLF
- 3S12XPLF



STYLE 6 WITHOUT BACK SHELL
CRIMP SHELL TAIL OPTION



STYLE 5 WITHOUT BACK SHELL
FOR 1.20mm THICKNESS PCB
87520-3X10APBLF&87520-1010APBLF



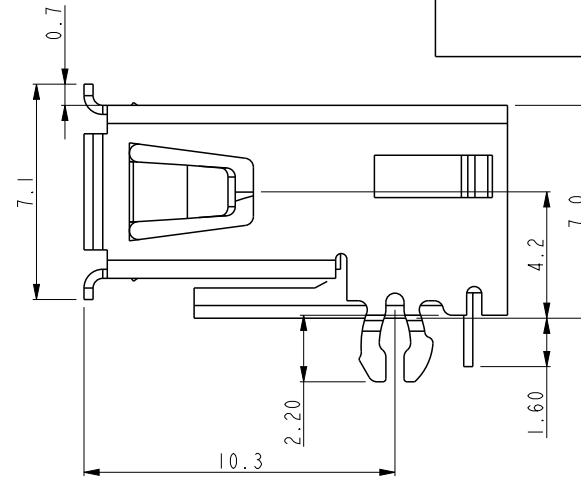
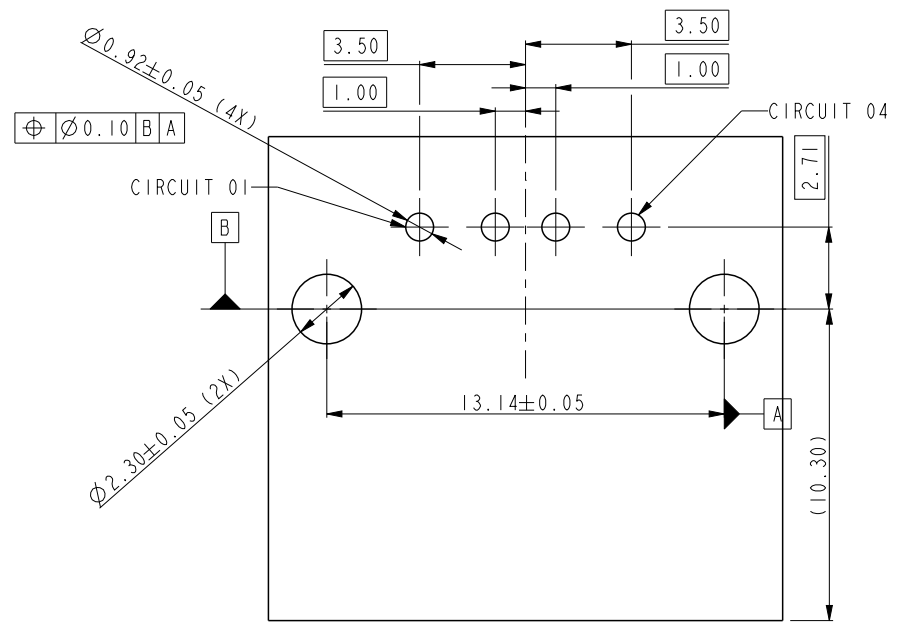
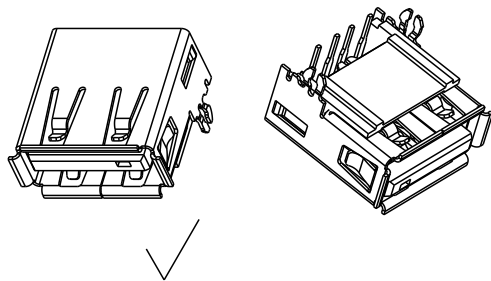
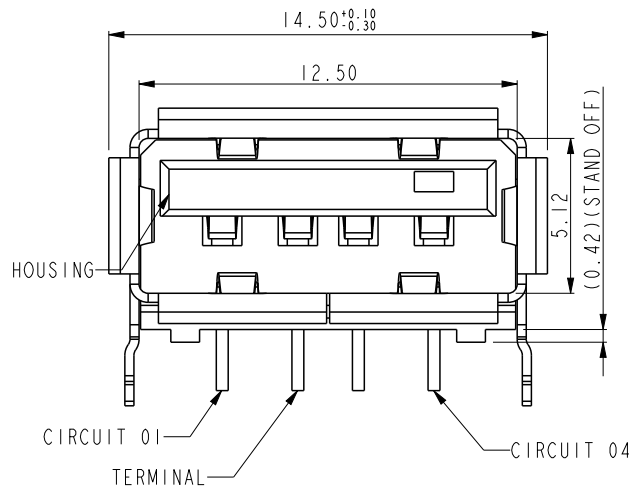
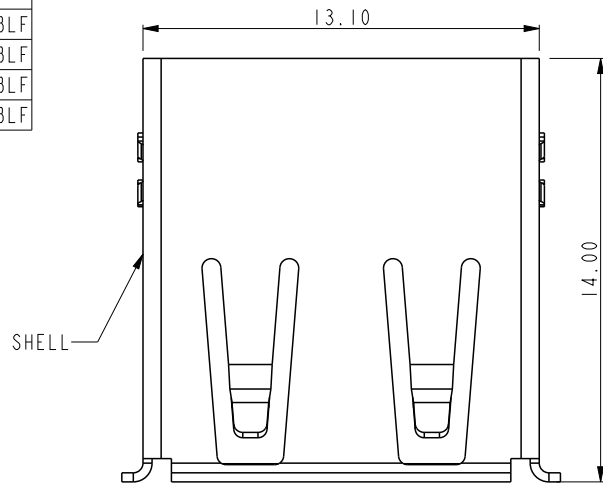
STYLE 3 WITH PARTIAL BACK SHELL

Amphenol FCI

© 2020 Amphenol Corporation

dr	Keen Wu	2010/11/04	projection	MM	size	A4	scale	4.000
eng	Li-Qing Lei	2021/03/31			ecn no	ELX-N-40522-1		
chr	-	-			rel level	Released		
appr	Tim Yao	2021/04/29	product family		rev	AR		
Amphenol FCI		USB RECEPTACLE		dwg no		87520		
www.fci.com		cat. no.		Product - Customer Drw		sheet 2 of 3		

PART NUMBER
87520-3010APBLF
87520-3S10XPBLF
87520-3S12XPBLF
87520-1010APBLF



RECOMMENDED PCB LAYOUT
COMPONENT SIDE

dr	Keen Wu	2010/11/04	projection 	MM ←→	size	A4	scale	4.000
eng	Li-Qing Lei	2021/03/31			ecn no	ELX-N-40522-1		
chr	-	-			rel level	Released		
appr	Tim Yao	2021/04/29	product family		rel level	Released		
Amphenol FCi		title			87520		rev	
www.fci.com		USB RECEPTACLE			USB		AR	
cat. no.		Product - Customer Drw			sheet 3 of 3			