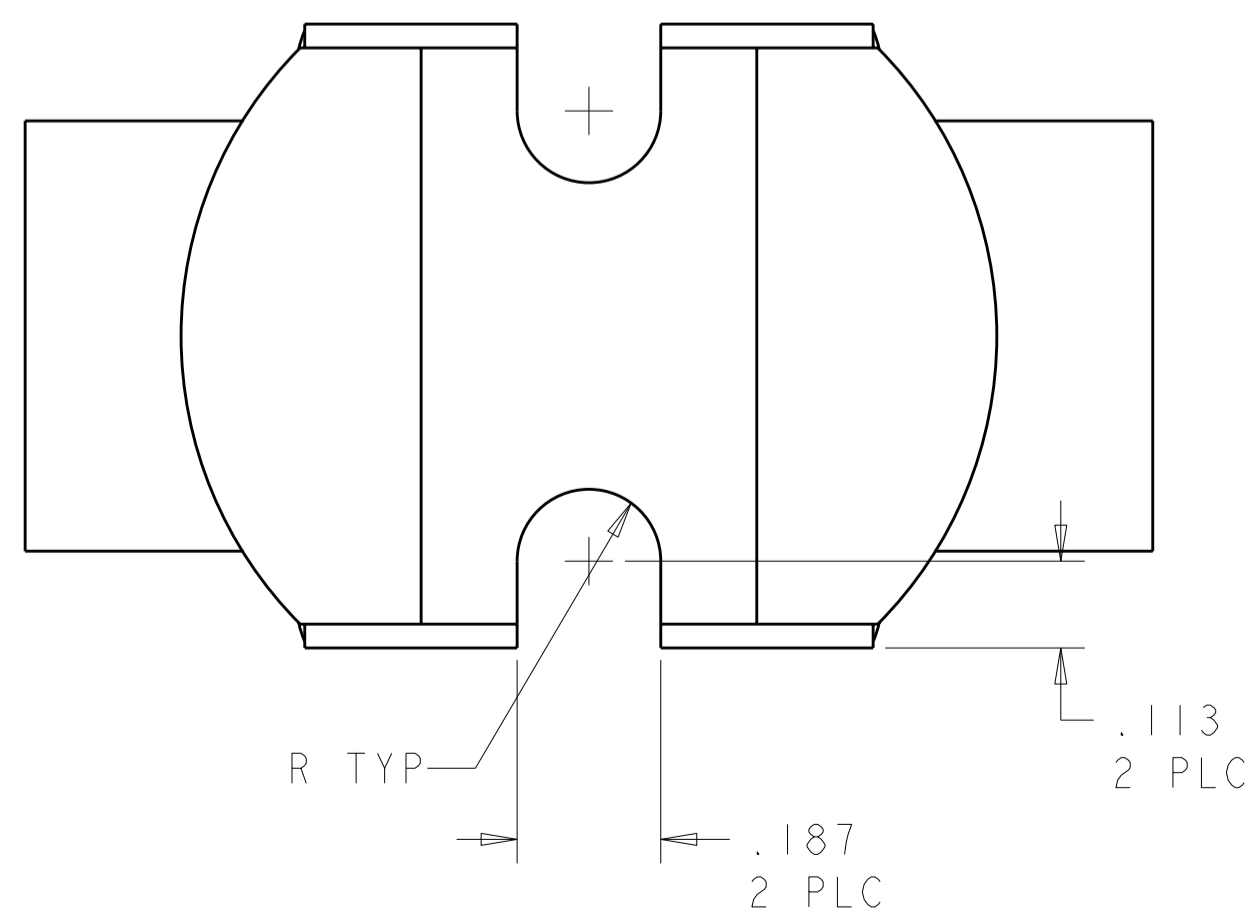
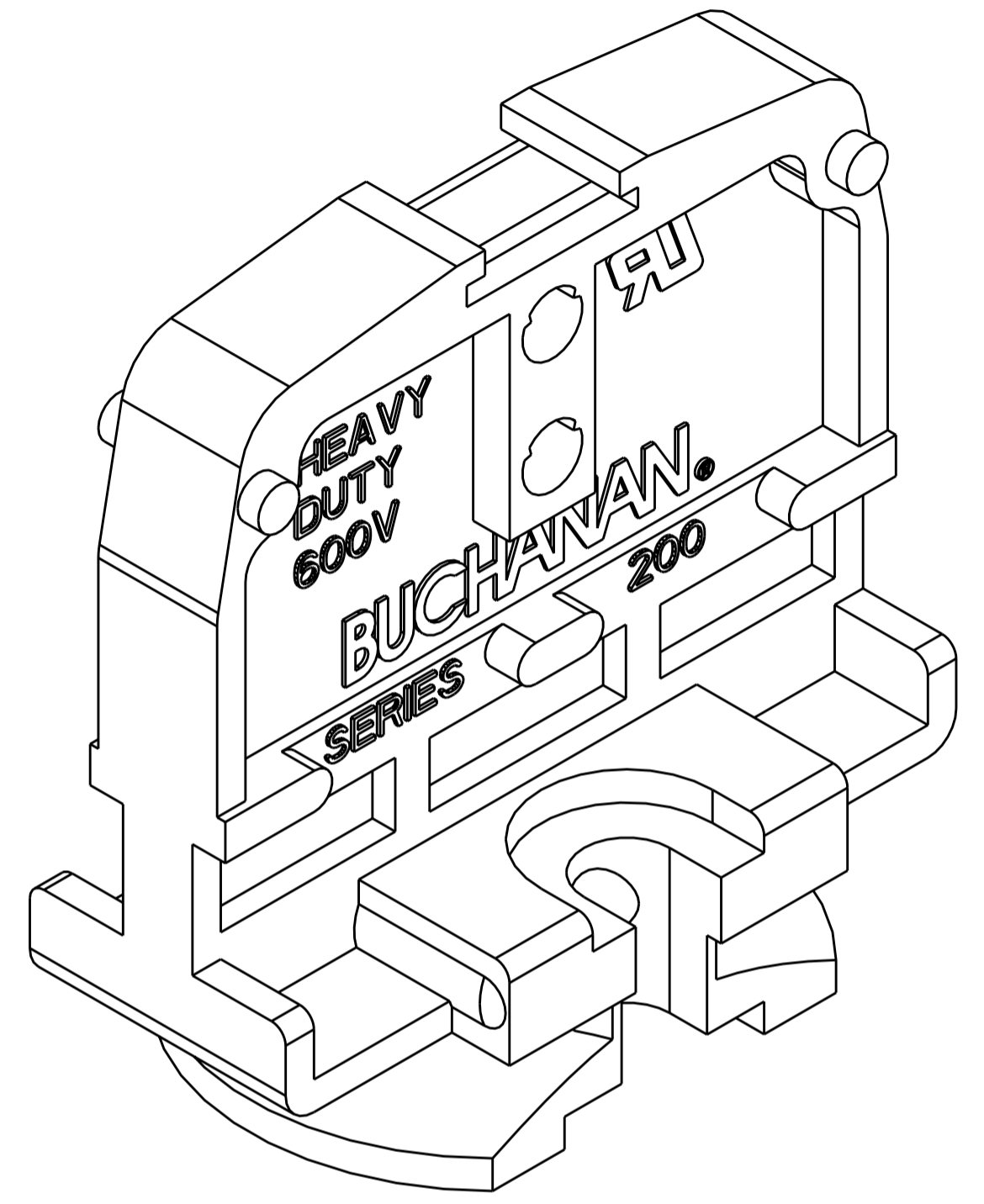
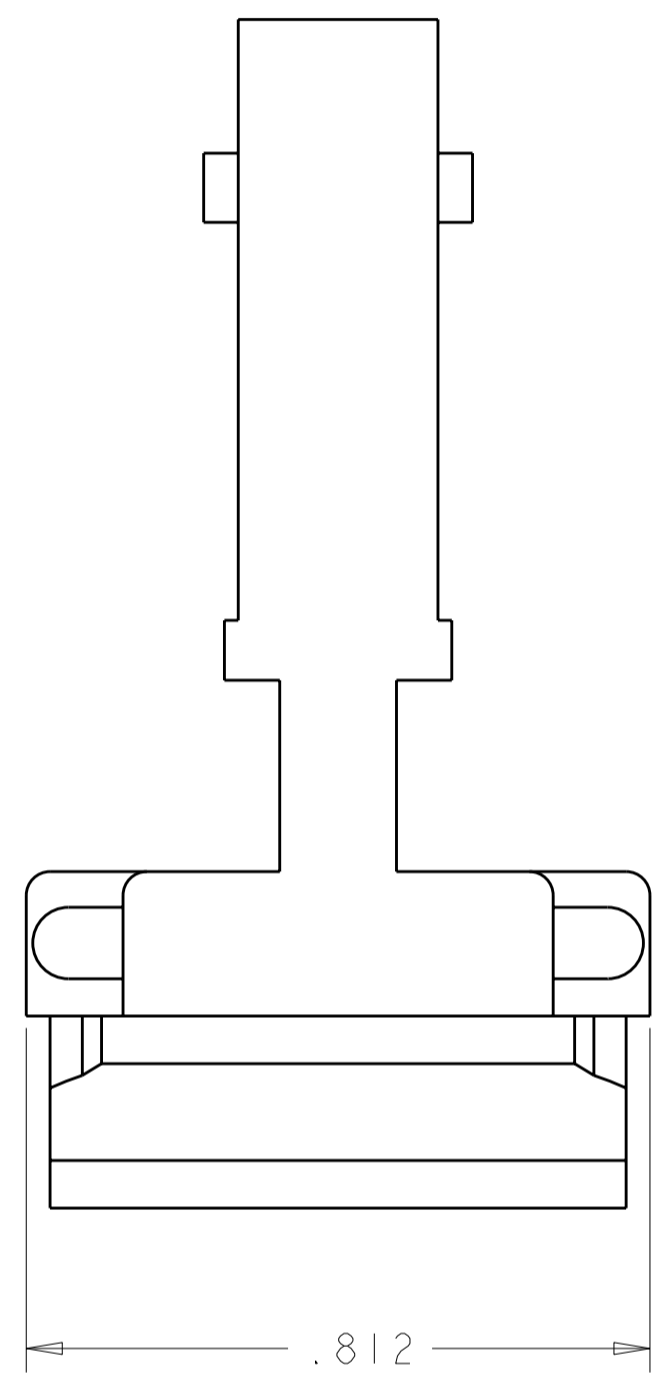
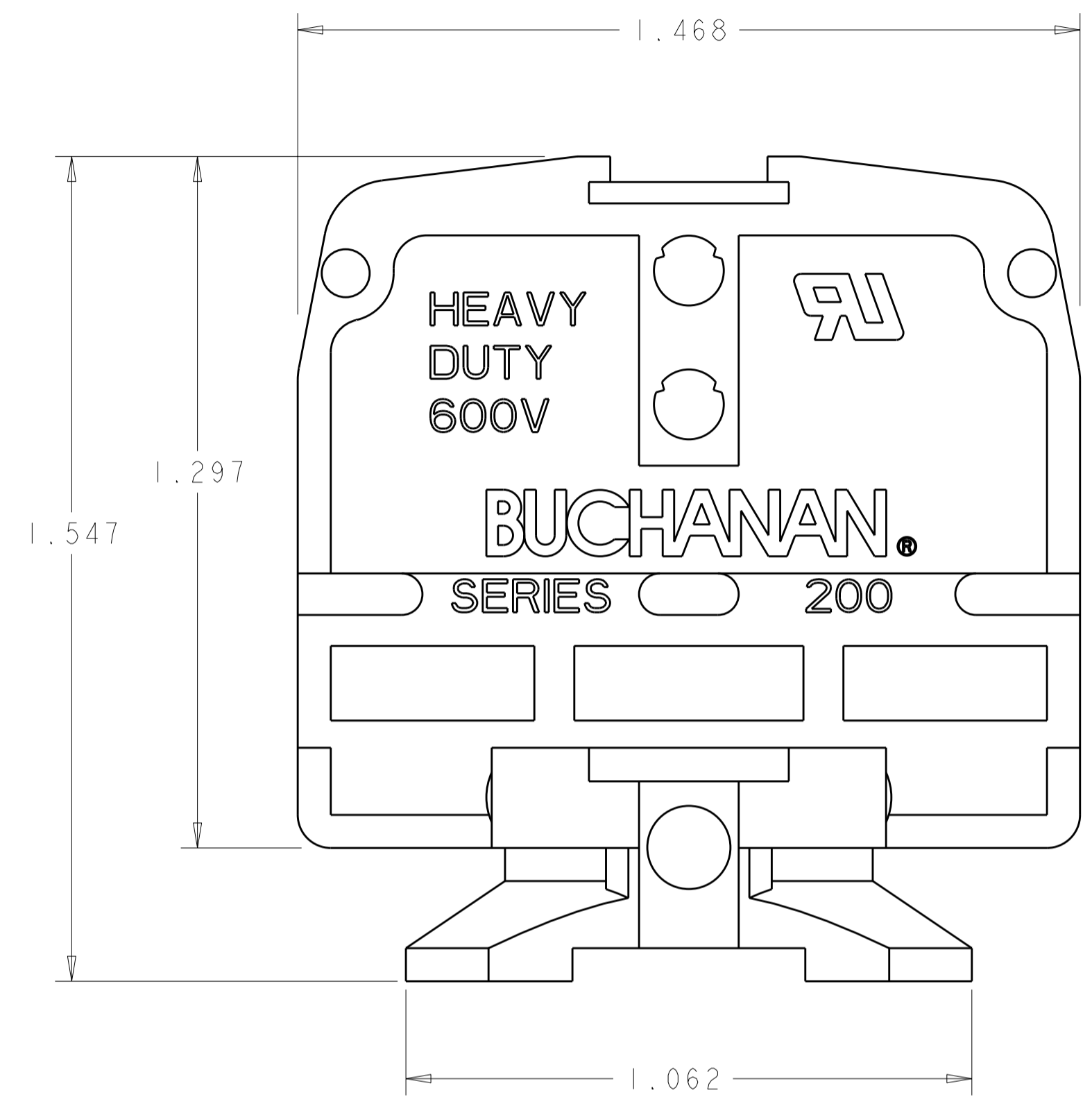


| LOC |     | DIST                      |           | REVISIONS |      |  |  |
|-----|-----|---------------------------|-----------|-----------|------|--|--|
| P   | LTR | DESCRIPTION               | DATE      | DWN       | APVD |  |  |
|     | J   | REVISED ECO-05-015239     | 30JAN2006 | SW        | SY   |  |  |
|     | JI  | REVISED ECO-06-012256     | 25MAY2006 | SW        | SY   |  |  |
|     | K   | REVISED PER ECO-08-015972 | 30JUN2008 | HMR       | FD   |  |  |



1. PHENOLIC, UL 94V-1 RATED, COLOR: BLACK.

1-1437390-4  
 PART NUMBER

|   |  |                                 |   |           |
|---|--|---------------------------------|---|-----------|
| THIS DRAWING IS A CONTROLLED DOCUMENT FOR TYCO ELECTRONICS CORPORATION. IT IS SUBJECT TO CHANGE AND THE CONTROLLING ENGINEERING ORGANIZATION SHOULD BE CONTACTED FOR THE LATEST REVISION. |  | DWN<br>S. WELDON<br>30 JAN 2006 | Tyco Electronics<br>Harrisburg, PA 17105-3608             |           |
| DIMENSIONS:<br>INCHES   |  | CHK<br>S. YODER<br>30 JAN 2006  | NAME<br>END MOUNTING SECTION<br>HEAVY DUTY, DOVETAIL BASE |           |
| TOLERANCES UNLESS OTHERWISE SPECIFIED:<br>0 PLC ±<br>1 PLC ±0.0<br>2 PLC ±0.00<br>3 PLC ±0.010<br>4 PLC ±0.0000<br>ANGLES ±<br>FINISH   |  | APVD<br>S. YODER<br>30 JAN 2006 | RESTRICTED TO   |           |
| MATERIAL  |  | PRODUCT SPEC                    | SIZE  | CAGE CODE |
|   |  | APPLICATION SPEC                | A200779   | 1447855   |
|   |  | WEIGHT                          | DRAWING NO  |           |
|   |  | CUSTOMER DRAWING                | SCALE 4:1   |           |
|   |  | SHEET 1 OF 1                    |   | REV K     |