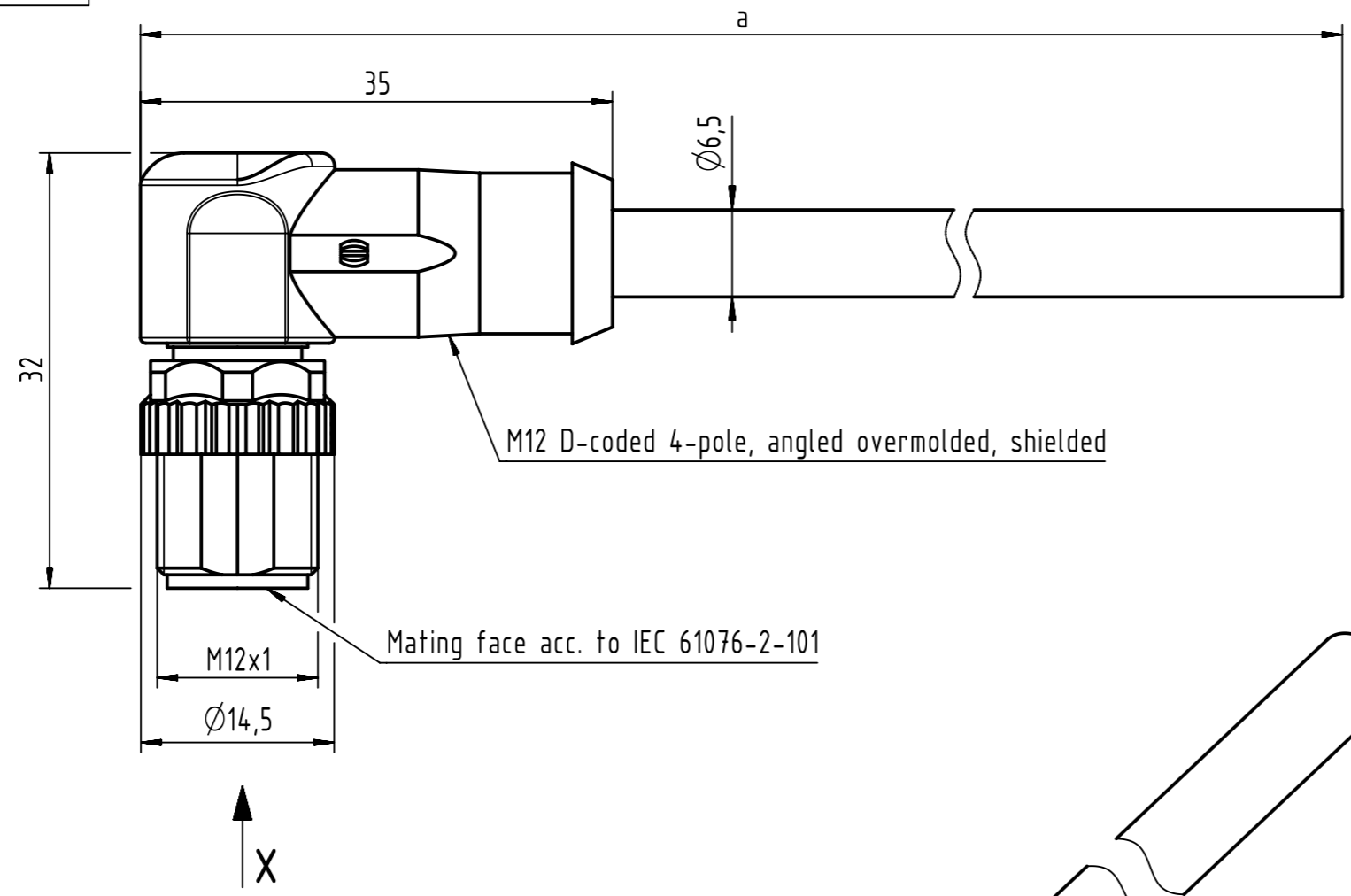


Connector Location A

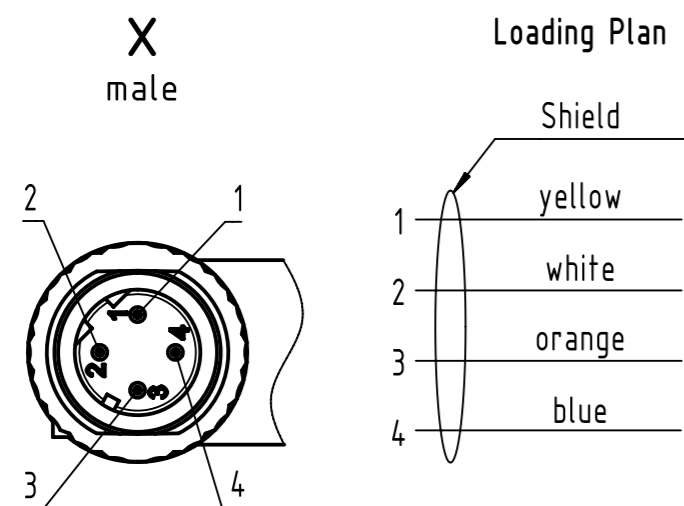
Connector Location B



length in "1m" step	100	XXX=000
	99	XXX=990
	.	.
	12	XXX=120
	11	XXX=110
length in "0.1m" step	10	XXX=100
	9.9	XXX=099
	9.8	XXX=098
	.	.
	0.4	XXX=004
	0.3	XXX=003
	0.2	XXX=002
	0.1	XXX=001
Step	a [m]	XXX

4.0 to 100	±1%
0.1 to 3.9	+0.04
a [m]	Tolerance

Part no.	213494004XXXXXX
Type of cable	XX
PVC green, 4xAWG22/7	XX=05
PUR green, 4xAWG22/7	XX=77



- Protection level: IP65/67
 - Temperature range: -30°C ... +70°C

All rights reserved Department HCS - RO HARTING Customised Solutions D-32339 Espelkamp		All Dimensions in mm Tech. Character. Created by STOCHECIC Stoccheci Inspected by COSTEA Costea Standardisation MUNTEANV Muntean Date 2019-03-27 State Final Release	Free size tol. According to production drawing Title M12 Cable Assembly D-cod an/- m/- Type TB Number 213494004XXXXXX	Doc-Key / ECM-Nr. 100588495/UGD/000/F 500000149491 Rev. F Page 1/1
---	--	--	---	--