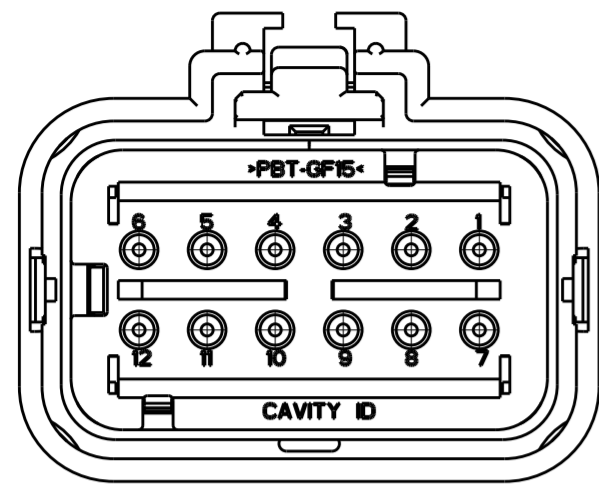
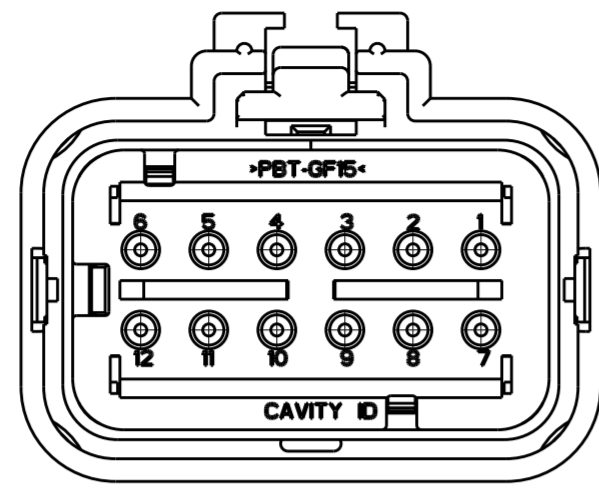


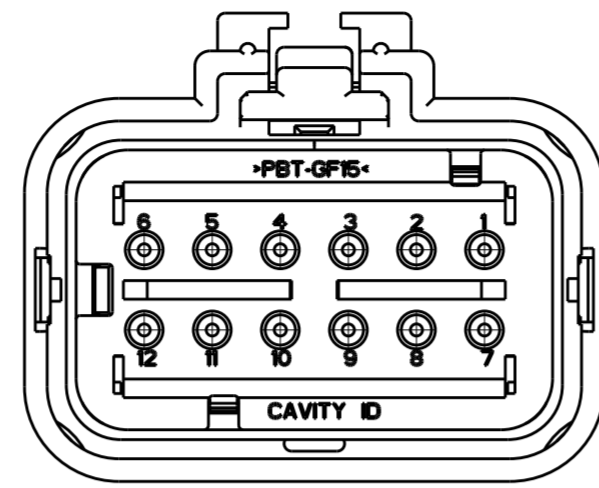
REVISIONS				
P	LTR	DESCRIPTION	DATE	APVD
A		INITIAL RELEASE PER D09-004	10MAR2009	DD RB
B		REVISED PER ECO-13-019865	27DEC2013	DR RB



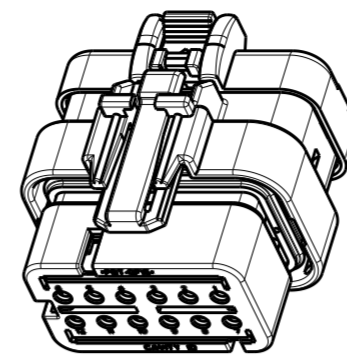
2035561-2
 (KEY B)
 SCALE 2:1



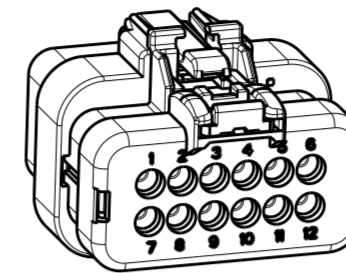
2035561-3
 (KEY C)
 SCALE 2:1



2035561-4
 (KEY D)
 SCALE 2:1

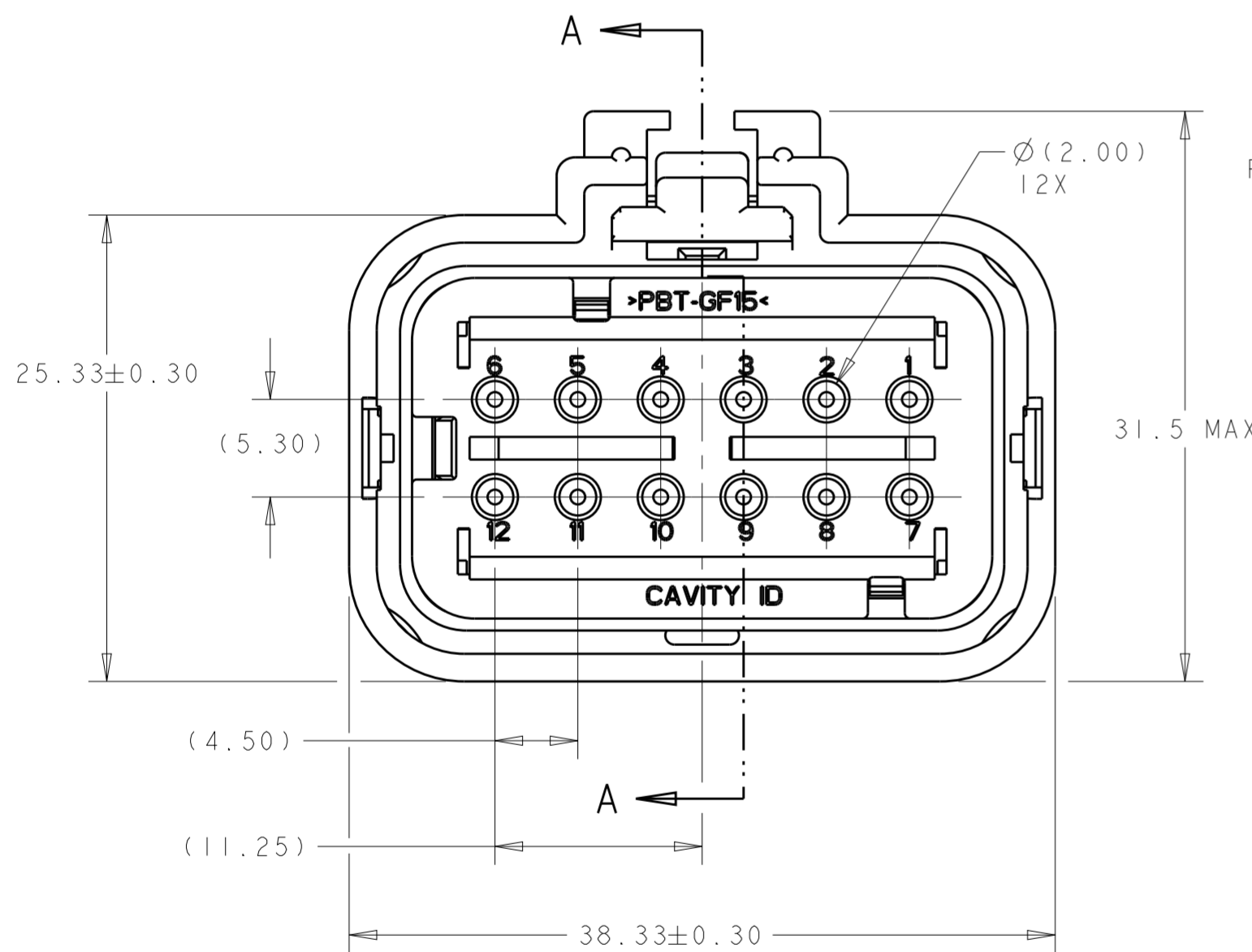


SCALE 1:1

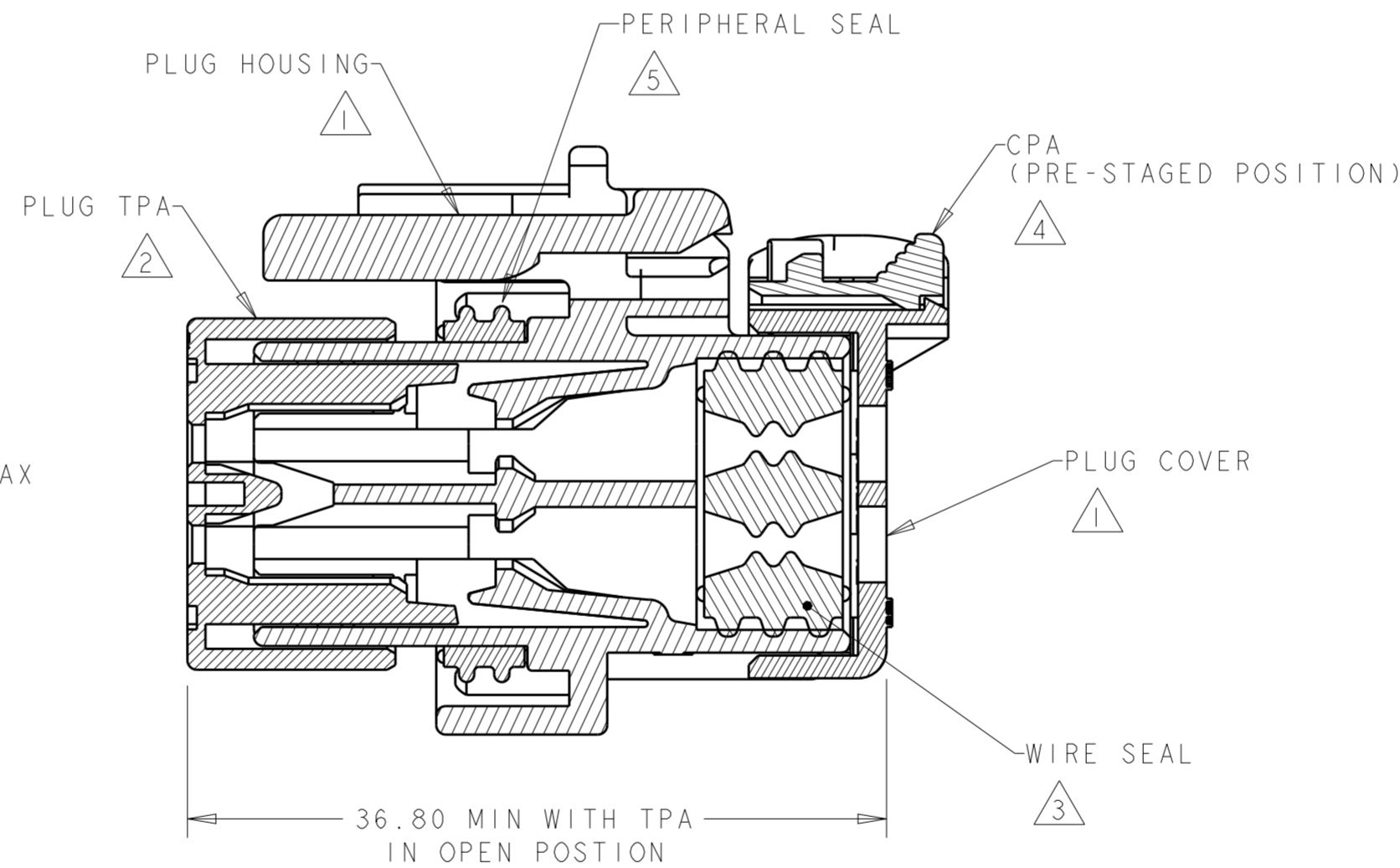


SCALE 1:1

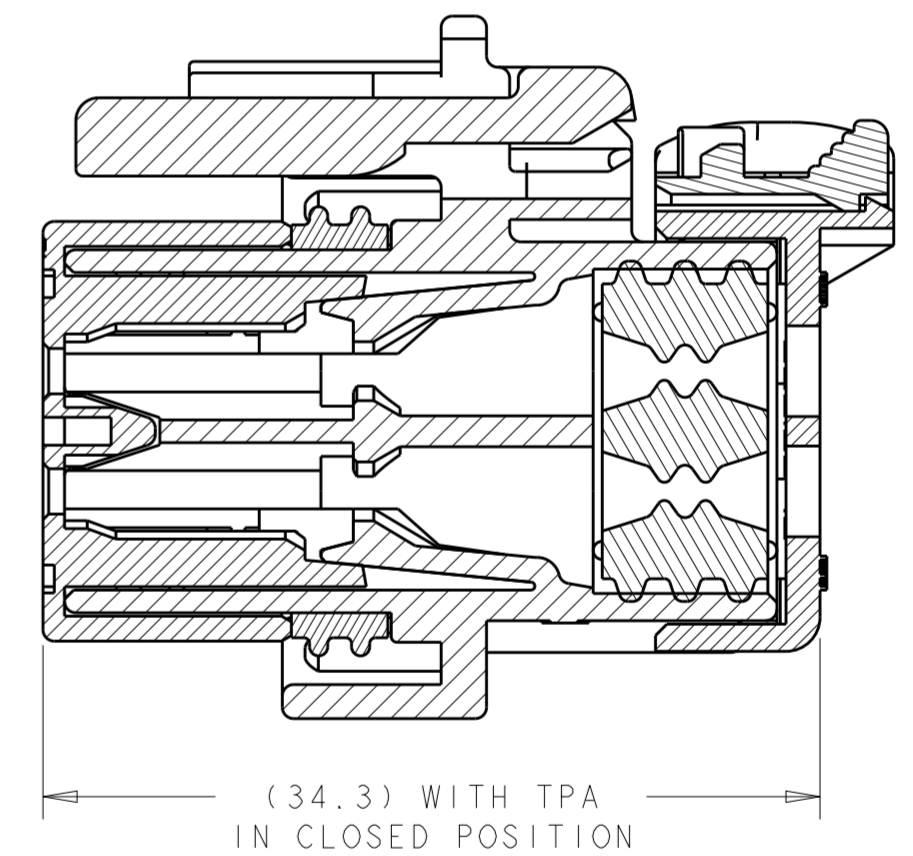
- 1 MATERIAL: 25% GLASS FILLED, NYLON 6/6, VO.
COLOR: NATURAL (BROWN)
 - 2 MATERIAL: 20% GLASS FILLED, PBT, VO.
COLOR: (SEE TABLE)
 - 3 MATERIAL: SILICONE
COLOR: RUST
 - 4 MATERIAL: 20% GLASS FILLED, PBT, VO.
COLOR: ORANGE
 - 5 MATERIAL: SILICONE
COLOR: TAN
6. RECOMMENDED WIRE DIAMETER RANGE:
1.30 TO 2.54mm



2035561-1 SHOWN
 (KEY A)



SECTION A-A



SECTION A-A

TAN	D	2035561-4
BLUE	C	2035561-3
PURPLE	B	2035561-2
ORANGE	A	2035561-1
TPA COLOR	KEY	PART NUMBER

THIS DRAWING IS A CONTROLLED DOCUMENT.		DWN 06FEB2009 DI DRUMMOND	TE Connectivity	
DIMENSIONS: mm		CHK 06FEB2009 R. BALTER		
TOLERANCES UNLESS OTHERWISE SPECIFIED:		APVD 06FEB2009 R. BALTER	NAME	
0 PLC ±		PRODUCT SPEC	PLUG ASSEMBLY, 12 POSITION, 2 ROW, AMPSEAL 16, VO, REDUCED DIAMETER WIRE SEAL	
1 PLC ±		108-2184	SIZE	RESTRICTED TO
2 PLC ±0.20		APPLICATION SPEC	CAGE CODE	
3 PLC ±		114-13065	DRAWING NO	
4 PLC ±		WEIGHT	A20779	
ANGLES ±		20±1g	C-2035561	
FINISH -		CUSTOMER DRAWING	SCALE 3:1	SHEET 1 OF 1
				REV B