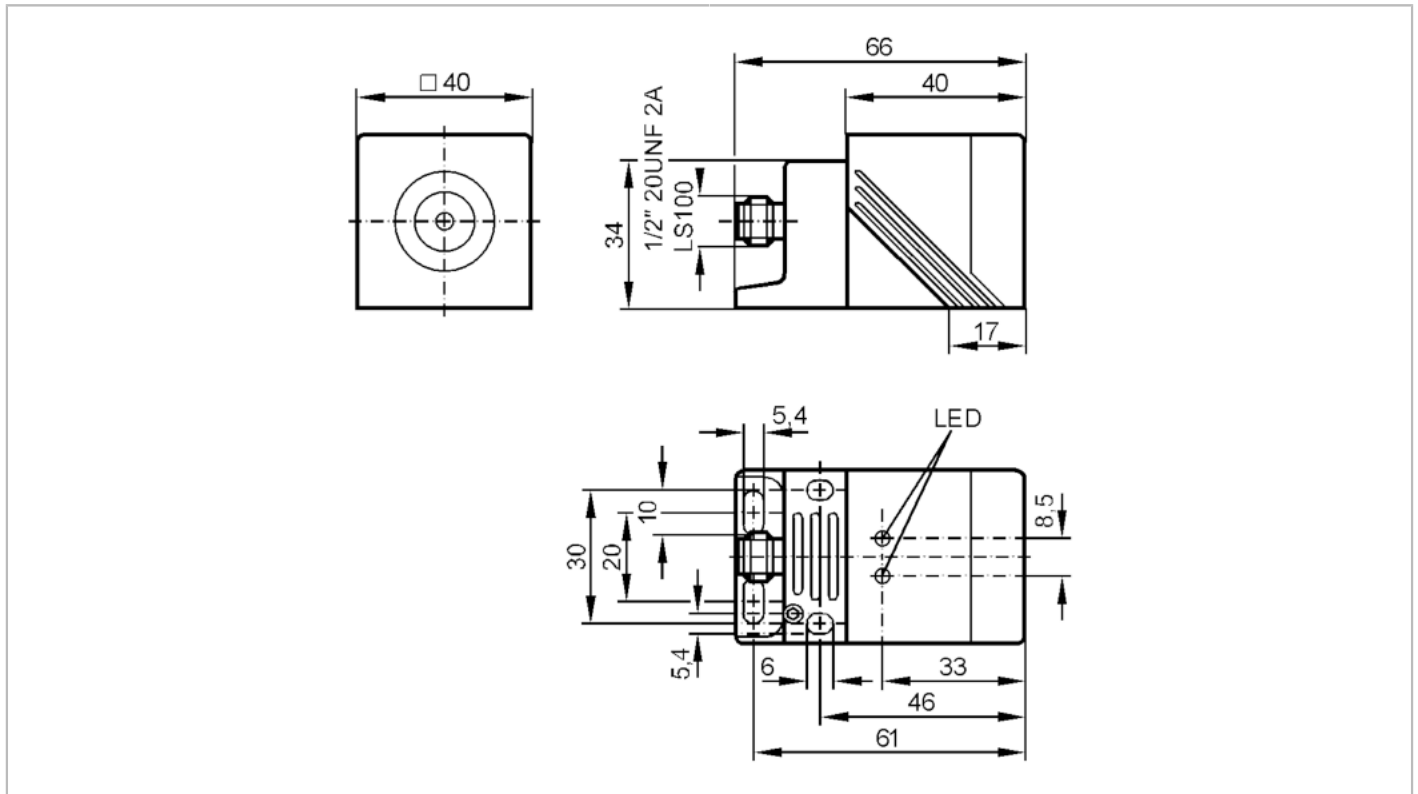


# IM0041



## Inductive sensor

IMC2035-ARKA/LS-100AK



| Product characteristics                            |                           |
|--|---------------------------|
| Output function                                    | normally open             |
| Sensing range [mm]                                 | 35                        |
| Housing  | rectangular               |
| Application  |                           |
| Special feature                                    | Increased sensing range   |
| Electrical data                                    |                           |
| Frequency AC [Hz]                                  | 47...63                   |
| Operating voltage [V]                              | 20...140 AC / 10...140 DC |
| Protection class                                   | I                         |
| Reverse polarity protection                        | yes                       |
| Outputs  |                           |
| Output function                                    | normally open             |
| Max. voltage drop switching output DC [V]          | 5.5                       |
| Max. voltage drop switching output AC [V]          | 5.5                       |
| Minimum load current [mA]                          | 5.5                       |
| Max. leakage current [mA]                          | 1.7 (140 V AC/DC)         |
| Short-time current rating of switching output [mA] | 2200; (20 ms / 0,5 Hz)    |
| Switching frequency AC [Hz]                        | 25                        |
| Switching frequency DC [Hz]                        | 100                       |

# IM0041



## Inductive sensor

IMC2035-ARKA/LS-100AK

|                                      |                  |   |
|--------------------------------------|------------------|---|
| Short-circuit protection             |                  | yes   |
| Type of short-circuit protection     |                  | pulsed  |
| Overload protection                  |                  | yes   |
| <b>Detection zone</b>                |                  |   |
| Sensing range                        | [mm]             | 35  |
| Operating distance                   | [mm]             | 0...28.3  |
| Increased sensing range              |                  | yes   |
| <b>Accuracy / deviations</b>         |                  |   |
| Correction factor                    |                  | steel: 1 / stainless steel: 0.7 / brass: 0.4 / aluminium: 0.4 / copper: 0.3 |
| Hysteresis                           | [% of Sr]        | 3...15  |
| <b>Operating conditions</b>          |                  |   |
| Ambient temperature                  | [°C]             | -25...70  |
| Protection                           |                  | IP 67   |
| <b>Tests / approvals</b>             |                  |   |
| EMC                                  |                  | EN 60947-5-2  |
| MTTF                                 | [years]          | 353   |
| UL approval                          | Ta               | 0...40 °C   |
|                                      | Enclosure type   | Type 1  |
|                                      | power supply     | Hazardous voltage   |
|                                      | File number UL   | E174191   |
| <b>Mechanical data</b>               |                  |   |
| Weight                               | [g]              | 254.55  |
| Housing                              |                  | rectangular   |
| Mounting                             |                  | non-flush mountable   |
| Materials                            |                  | PPE; clamp: diecast zinc  |
| <b>Displays / operating elements</b> |                  |   |
| Display                              | switching status | 1 x LED, red  |
|                                      | operation        | 1 x LED, green  |
| <b>Remarks</b>                       |                  |   |
| Remarks                              |                  | 5 positions of the active zone possible                                     |
| Pack quantity                        |                  | 1 pcs.  |

# IM0041



## Inductive sensor

IMC2035-ARKA/LS-100AK

### Electrical connection - plug

Connector: 1 x 1/2"; coding: C; Locking: brass

