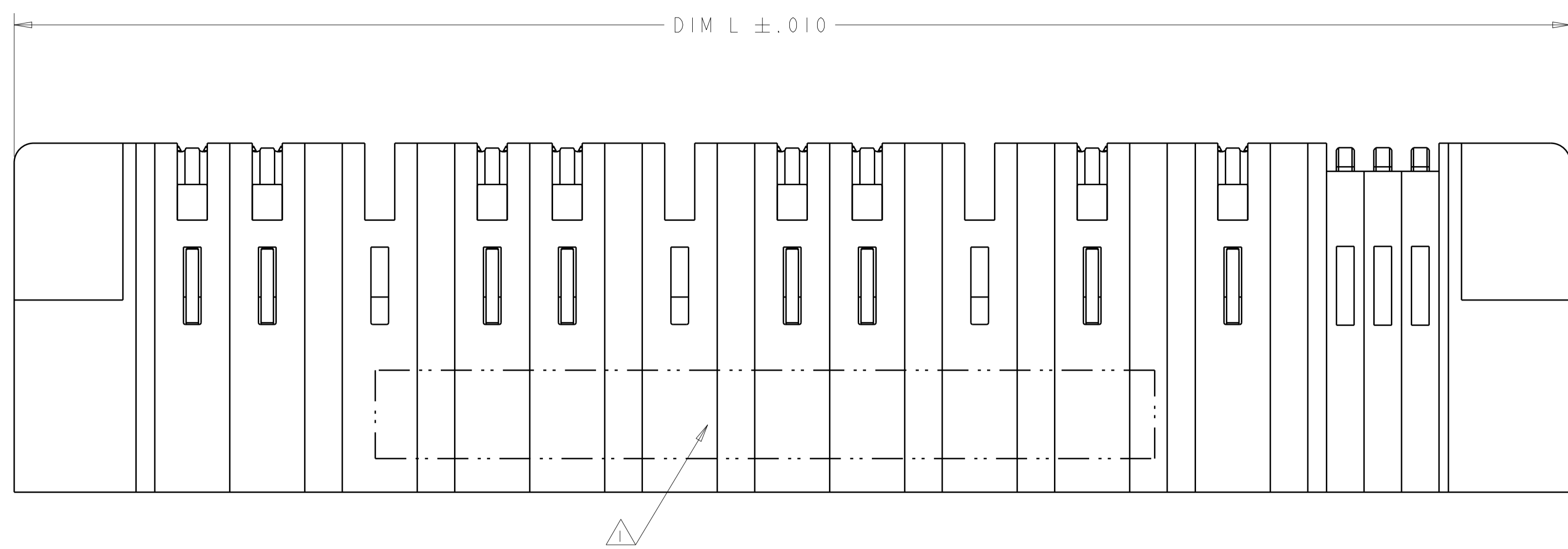
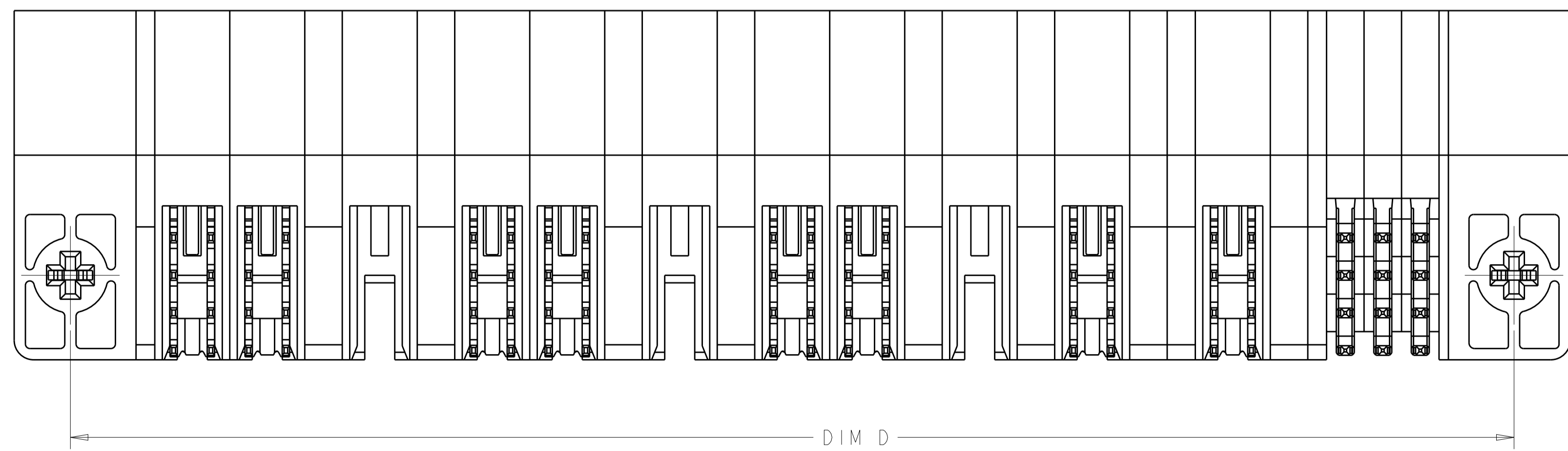
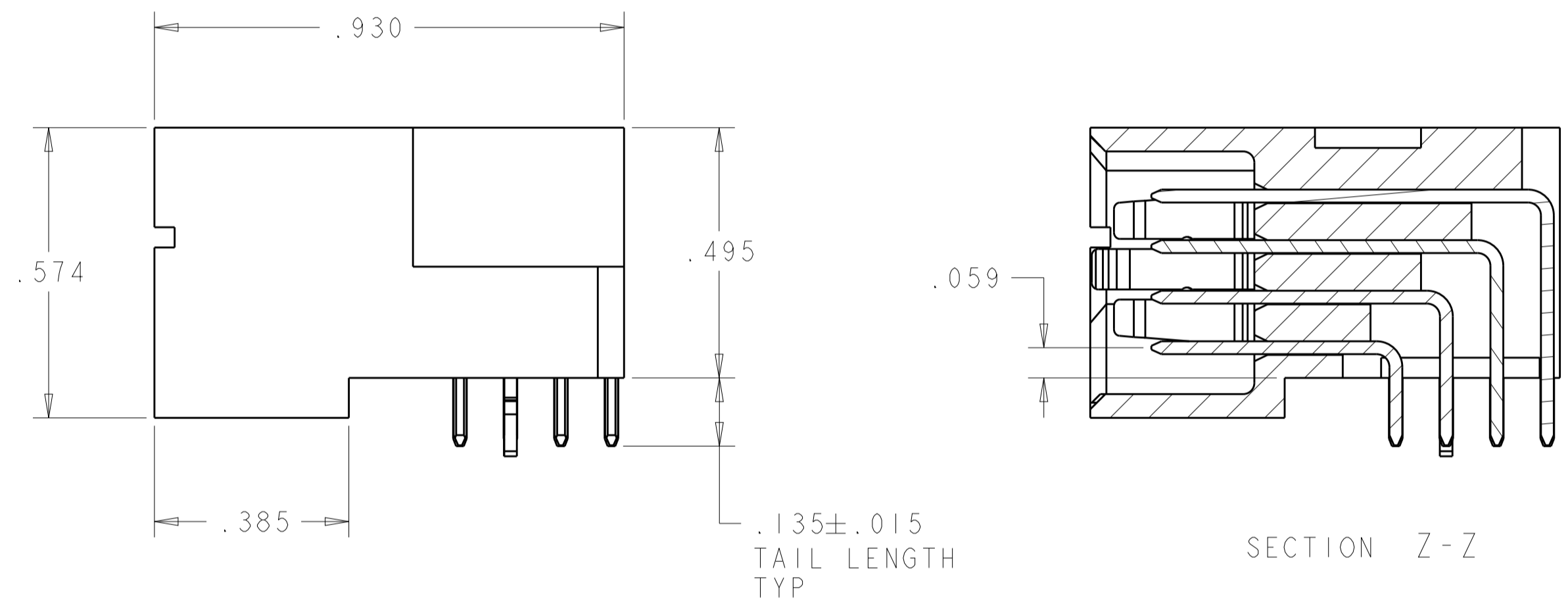
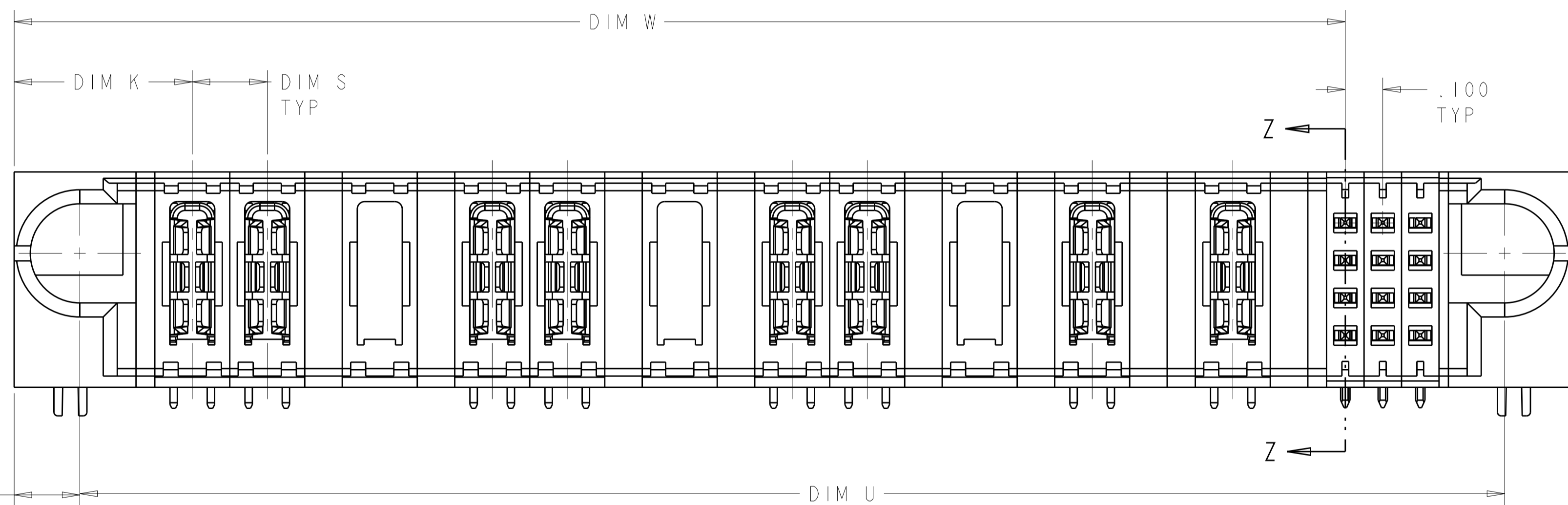


LOC	DIST	REVISIONS					
		P	LTN	DESCRIPTION	DATE	DWN	APVD
ES	00	B1		ADDED NEW DASH NUMBER	11APR2007	DZ	SY
		B2		ADVISED	20MAR2013	ML	SZ



- 1 PART NUMBER, AND DATE CODE MARKED IN AREA SHOWN.
- 2 MATERIAL:
 HOUSING - GLASS FILLED HIGH TEMP THERMO PLASTIC, UL94 V-0
 SIGNAL CONTACT - COPPER ALLOY
 POWER CONTACT - HIGH CONDUCTIVITY COPPER ALLOY
- 3 CONTACT PLATING: NOBLE METAL PLATING ON CONTACT FUNCTIONAL AREA OF POWER AND SIGNAL CONTACTS.
- 4 MECHANICAL CONNECTOR KEEP OUT ZONE.
- 5 DATUM AND BASIC DIMENSIONS ESTABLISHED BY CUSTOMER.
- 6 PCB - ALL HOLE DIAMETERS ARE FINISHED HOLE SIZES.
- 7 PCB - .0453±.0010 DRILLED HOLES PLATED WITH .0003 MIN Sn OVER .001 TO .003 Cu PLATING TO ACHIEVE A .040 HOLE.
- 8 VARIABLE DIMENSION SEE SHEET 2.



.250	2.300	2.250	1.975	.475	2.600	6P + 12S	1892102-2
8	3.850	3.800	3.550	.475	4.150	11P + 12S	1892102-1
DIM S	DIM D	DIM U	DIM W	DIM K	DIM L	DESCRIPTION	PART NUMBER

THIS DRAWING IS A CONTROLLED DOCUMENT.

DWN: C. ZHOU 08MAY2007
 CHK: S. ZHAO 08MAY2007
 APVD: S. YAO

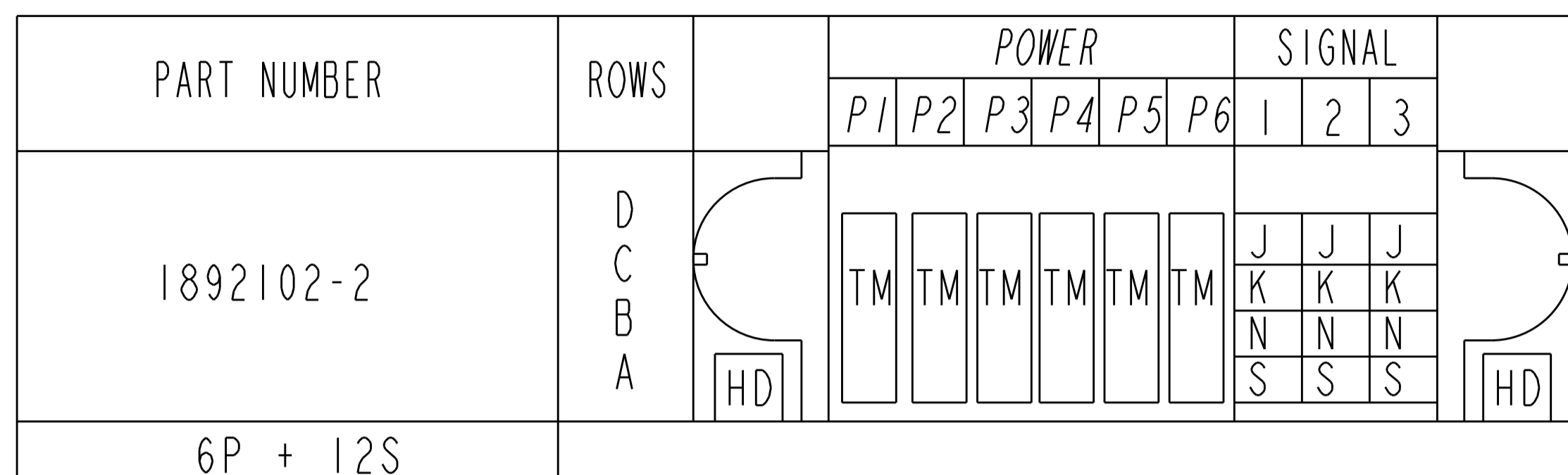
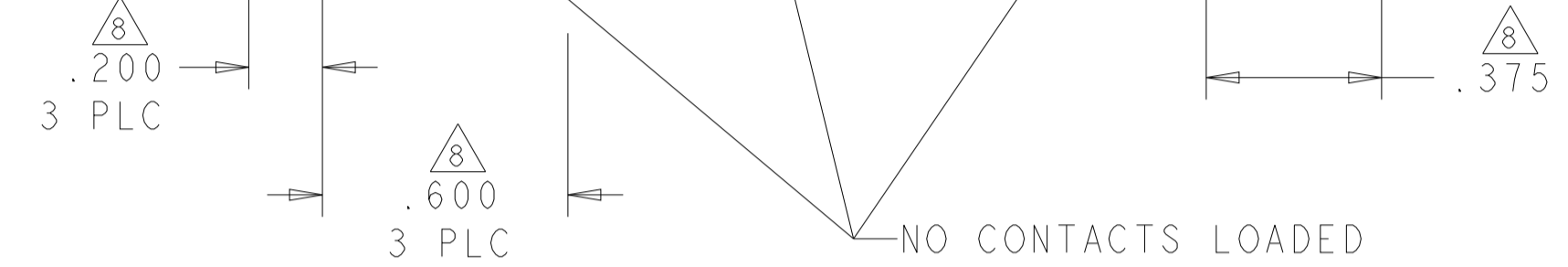
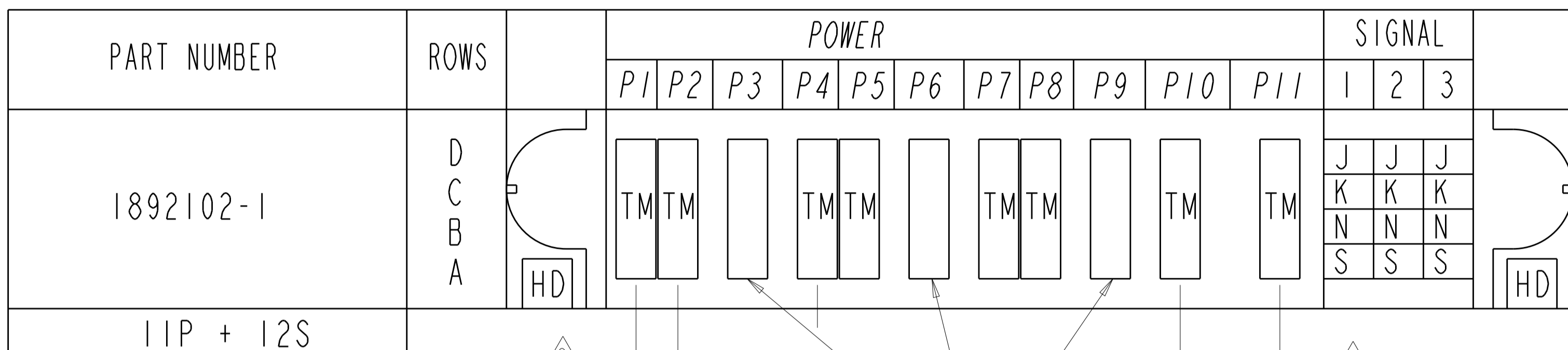
TE CONNECTIVITY

RIGHT ANGLE HEADER ASSY W/GUIDES THREE-BEAM XL

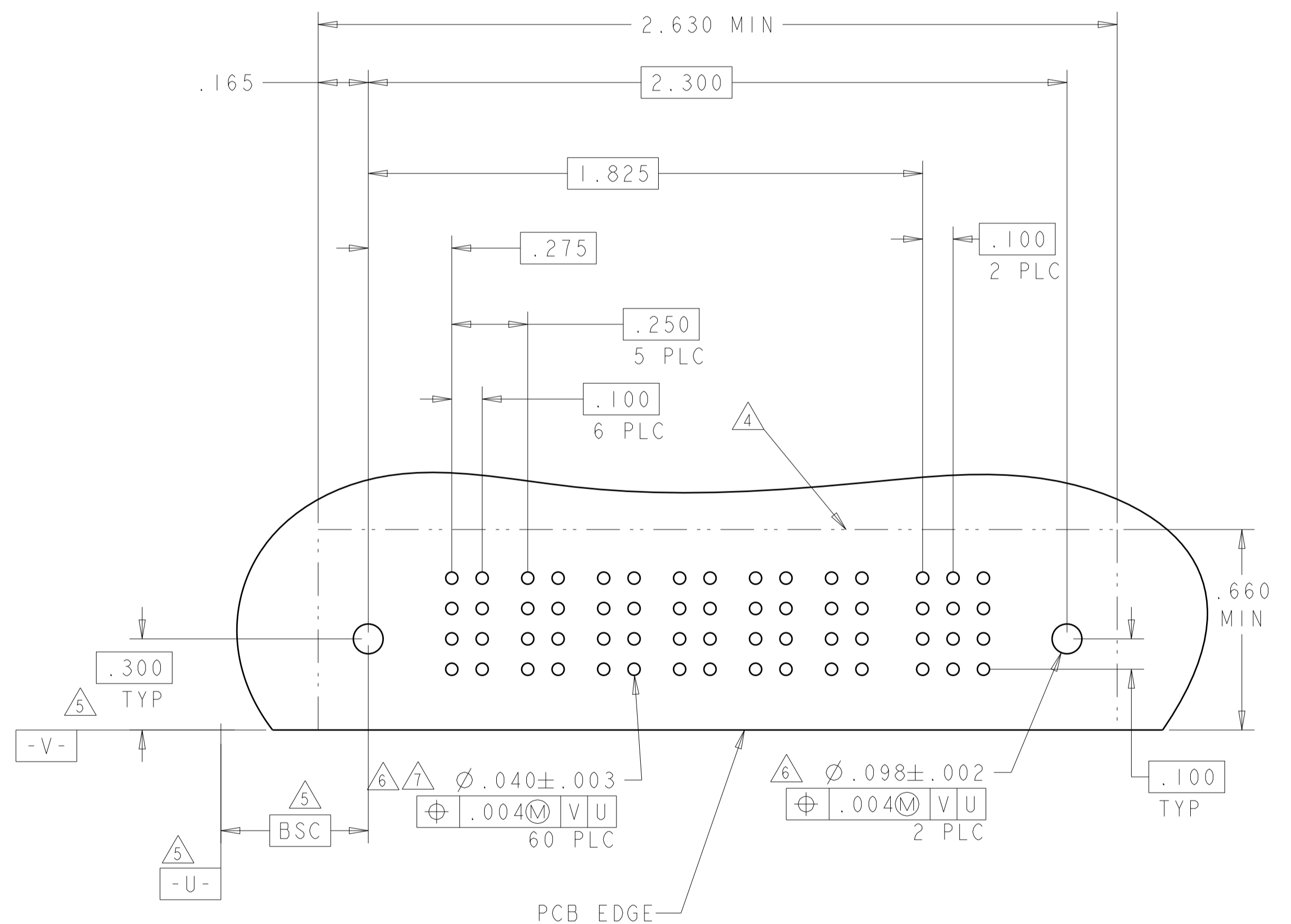
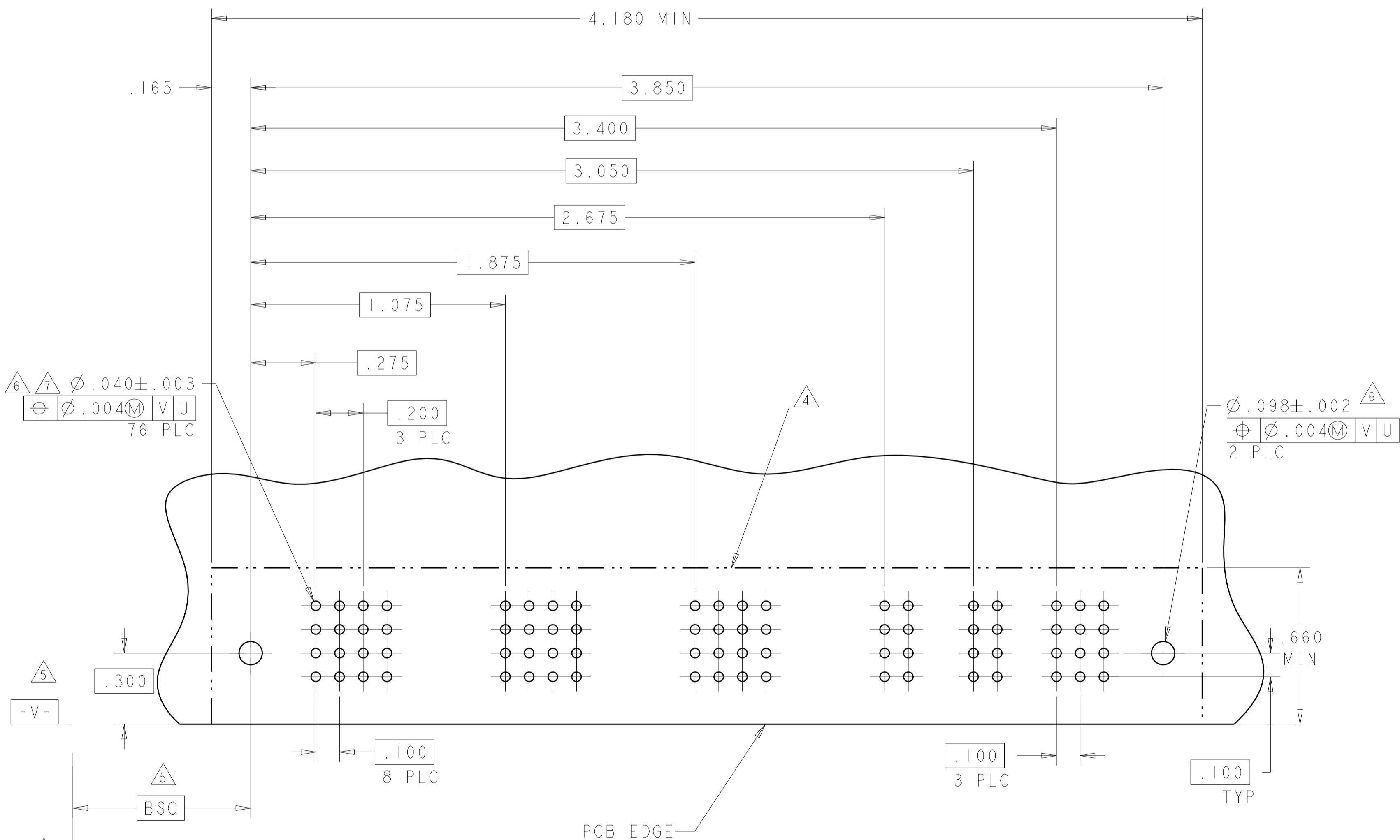
SIZE: A1 CAGE CODE: 100779 DRAWING NO: 1892102

SCALE: 1:1 SHEET 1 OF 2 REV B2

LOC		DIST		REVISIONS			
ES	00	P	LTN	DESCRIPTION	DATE	DMN	APVD
				SEE SHEET 1			



6P + 12S



CODE	DESCRIPTION	ROW
S	STD SIGNAL CONTACT	A
N	STD SIGNAL CONTACT	B
K	STD SIGNAL CONTACT	C
J	STD SIGNAL CONTACT	D
TM	STD HOT PLUG POWER CONTACT	-

CONTACTS

THIS DRAWING IS A CONTROLLED DOCUMENT.

DIMENSIONS:	TOLERANCES UNLESS OTHERWISE SPECIFIED:	DMN	08MAY2007
INCHES	0 PLC #0	CHK	C. ZHOU
	1 PLC #0.0	CHK	S. ZHAO
	2 PLC #0.01	APVD	S. YAO
	3 PLC #0.05	NAME	RIGHT ANGLE HEADER ASSY W/GUIDES
	4 PLC #0.0020	PRODUCT SPEC	108-1973
	ANGLES #0.0020	APPLICATION SPEC	114-13038
MATERIAL	FINISH	SIZE	CAGE CODE DRAWING NO
		RESTRICTED TO	A100779C=1892102
		Customer Drawing	SCALE 1:1 SHEET 2 OF 2 REV B2

TE Connectivity