

THIS DRAWING IS UNPUBLISHED.

RELEASED FOR PUBLICATION

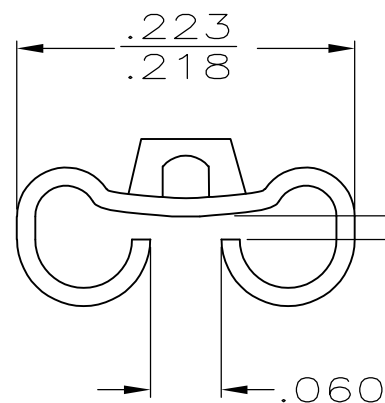
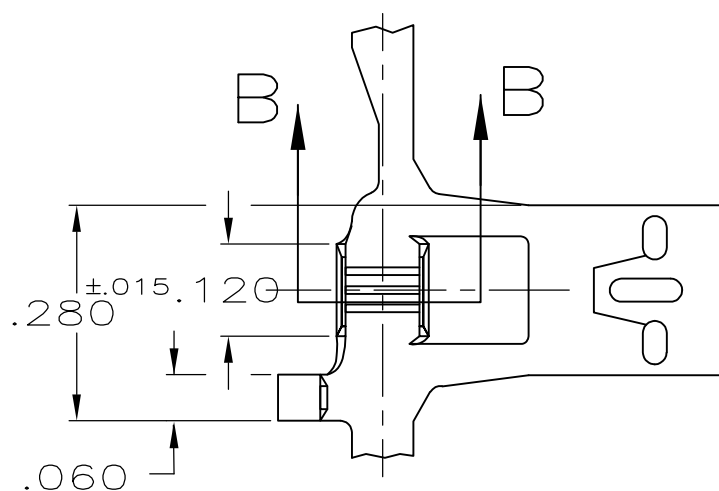
ALL RIGHTS RESERVED.

© COPYRIGHT - By -

LOC AF DIST 50

REVISIONS

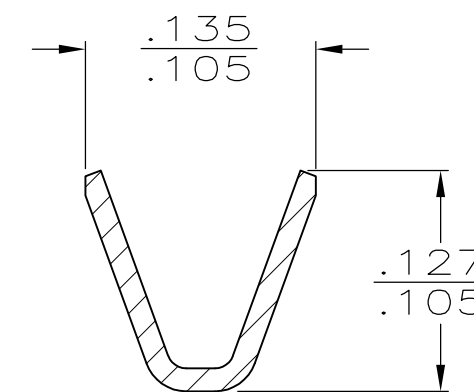
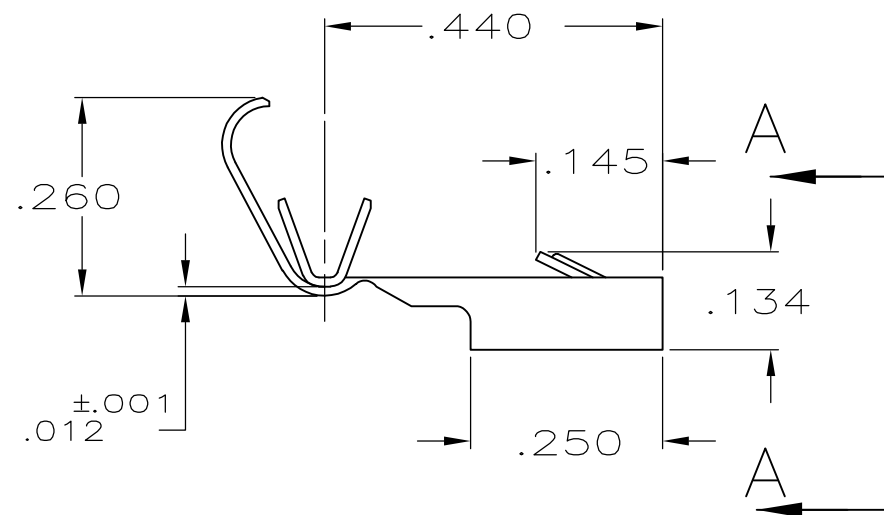
P	LTR	DESCRIPTION	DATE	DWN	APVD
	D	REVISED PER ECR-13-005733	26AUG2013	KH	PD



VIEW A-A
SCALE 8:1

1 CONTINUOUS STRIP ON REEL

FITS .187 SERIES
FASTON™ TAB



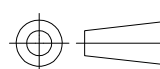
SECTION B-B
SCALE 8:1

.060-.110	20-16	.020	63509-1
INSULATION RANGE	WIRE SIZE	MATING TAB THK ±.001	PART NO

TYPE	WIDTH	STRIP LENGTH ±.015	TYPE	WIDTH	±.002 HEIGHT	WIRE
0	.140	.188	F	.090	.057	16
					.050	18
					.045	20
INSUL BARREL CRIMP			WIRE BARREL CRIMP			

THIS DRAWING IS A CONTROLLED DOCUMENT.

DIMENSIONS:
INCHES



TOLERANCES UNLESS OTHERWISE SPECIFIED:

- 0 PLC ± -
- 1 PLC ± -
- 2 PLC ± -
- 3 PLC ± .010
- 4 PLC ± -
- ANGLES ± -

MATERIAL

BRASS

FINISH

PRE-TIN .000030 MIN

DWN JR RUTH 8/5/88

CHK MS FEHER 8/5/88

APVD J GILLESPIE 8/5/88

PRODUCT SPEC

APPLICATION SPEC

WEIGHT -

CUSTOMER DRAWING

NAME RECEPTACLE, FASTIN-FASTON, FLAG, .187 SERIES

SIZE	CAGE CODE	DRAWING NO	RESTRICTED TO
A3	00779	C-63509	-



SCALE	SHEET	REV
4:1	1 OF 1	D