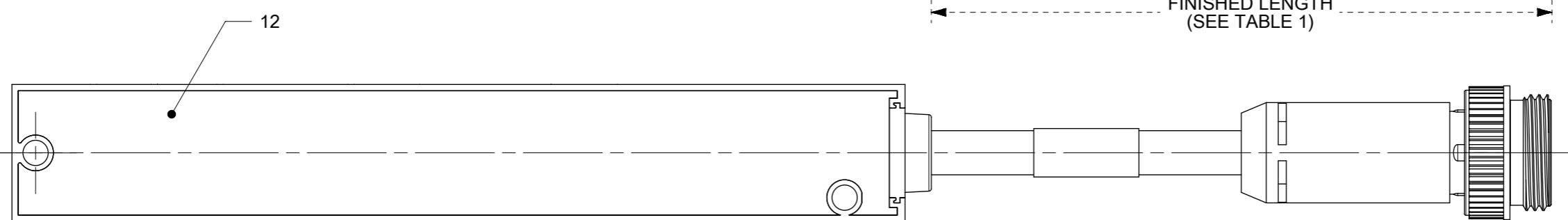
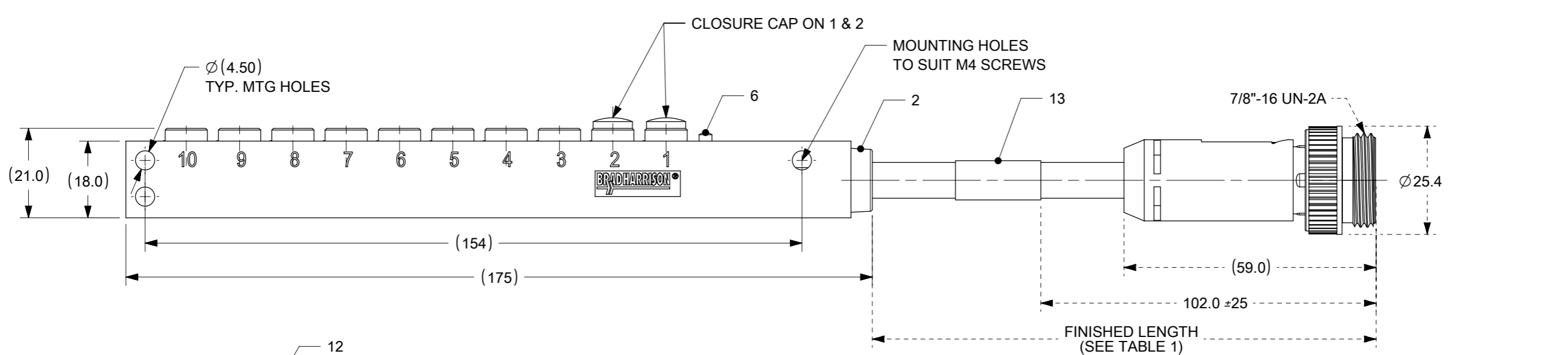
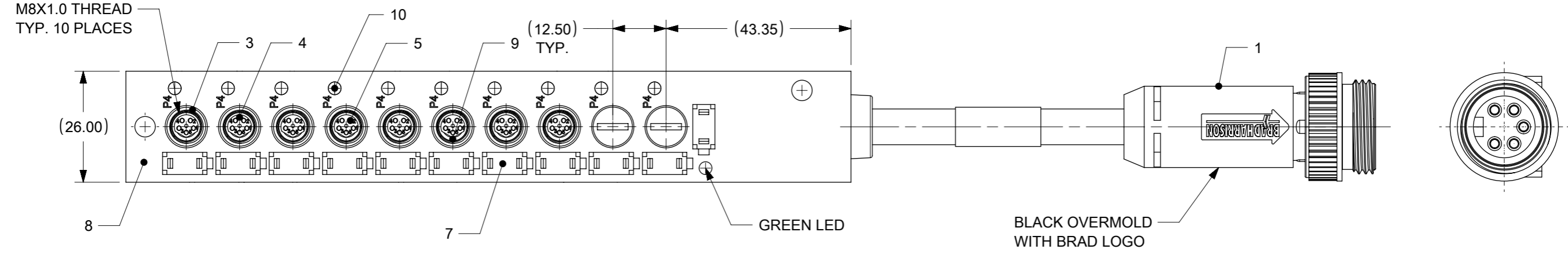
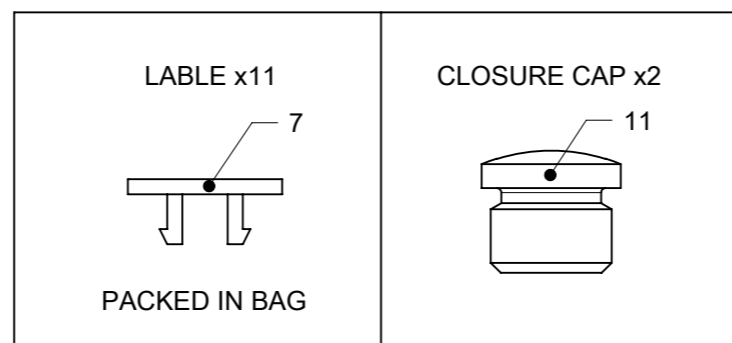


M8X1.0 THREAD
TYP. 10 PLACES



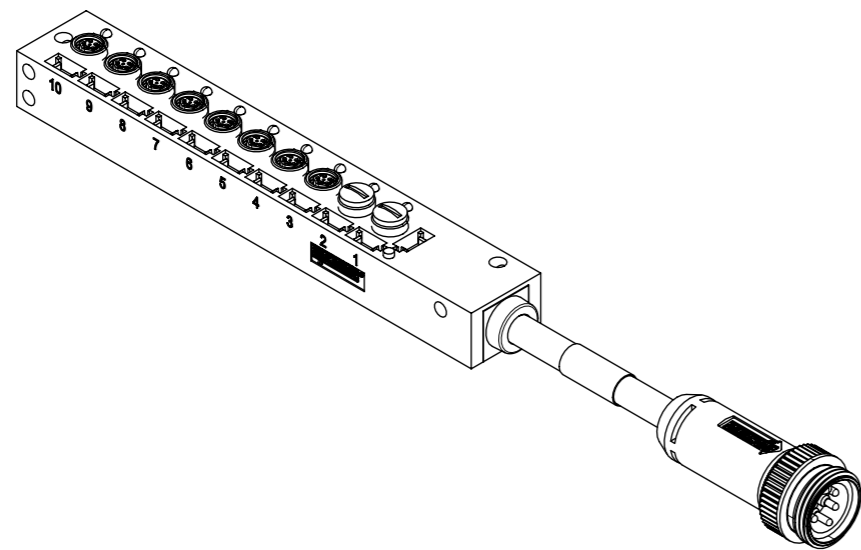
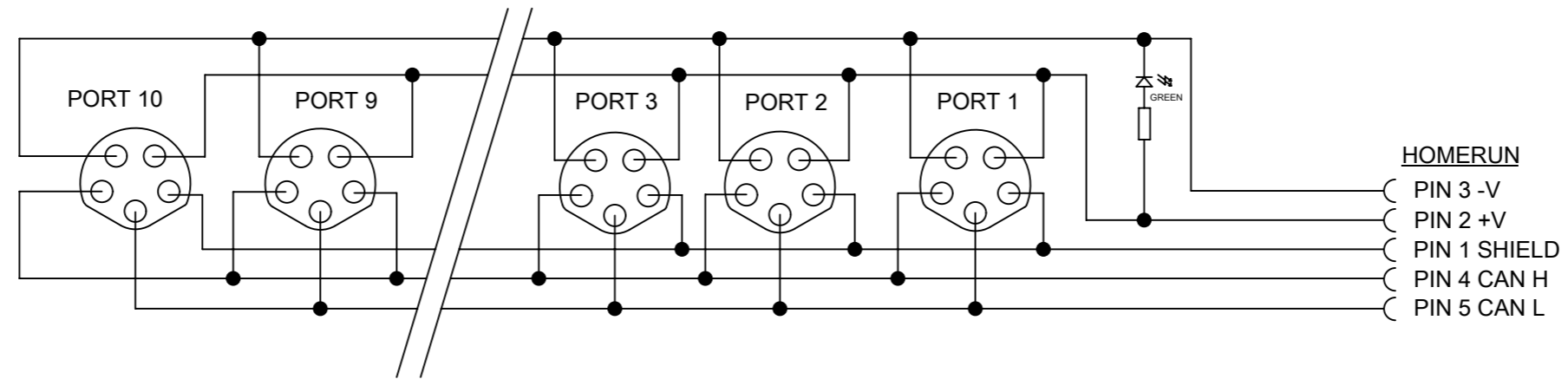
ELECTRICAL DATA :

VOLTAGE : 10-30VDC
CURRENT RATING : 2A PER PORT, 6 AMPS MAX.
PROTECTION CLASS : IP68



FUNCTIONAL SYMBOLS	THIS DRAWING CONTAINS INFORMATION THAT IS PROPRIETARY TO MOLEX ELECTRONIC TECHNOLOGIES, LLC AND SHOULD NOT BE USED WITHOUT WRITTEN PERMISSION																				
	$\nabla_A = 0$ $\nabla_F = 0$ $\nabla_P = 0$	DIMENSION UNITS: mm SCALE: 1:1			CURRENT REV DESC: OVM COLOR CHANGED FROM GREY TO BLACK																
DIVISIONAL SYMBOLS	GENERAL TOLERANCES (UNLESS SPECIFIED)		EC NO: 637503 DRWN: RSCHIEBER CHK'D: RSILLER APPR: RSILLER																		
	<table border="1"> <thead> <tr> <th></th> <th>MM</th> <th>INCH</th> </tr> </thead> <tbody> <tr> <td>4 PLACES</td> <td>±</td> <td>±</td> </tr> <tr> <td>3 PLACES</td> <td>±</td> <td>±</td> </tr> <tr> <td>2 PLACES</td> <td>±</td> <td>± 0.01</td> </tr> <tr> <td>1 PLACE</td> <td>± 0.3</td> <td>±</td> </tr> <tr> <td>0 PLACES</td> <td>±</td> <td>±</td> </tr> </tbody> </table>			MM	INCH	4 PLACES	±	±	3 PLACES	±	±	2 PLACES	±	± 0.01	1 PLACE	± 0.3	±	0 PLACES	±	±	2020/05/12 2020/05/20 2020/05/20
	MM	INCH																			
4 PLACES	±	±																			
3 PLACES	±	±																			
2 PLACES	±	± 0.01																			
1 PLACE	± 0.3	±																			
0 PLACES	±	±																			
DRAFT WHERE APPLICABLE MUST REMAIN WITHIN DIMENSIONS		THIRD ANGLE PROJECTION	DRAWING: A3-SIZE	SERIES: 130038																	
DOCUMENT STATUS: P1 RELEASE DATE: 2020/05/20 12:27:42		DOCUMENT NUMBER: 1300380008	DOC TYPE: PSD DOC PART: 000 REVISION: A1	SHEET NUMBER: 1 OF 2																	

WIRING DIAGRAM



BILL OF MATERIALS

ITEM	QTY.	DESCRIPTION	MATERIAL	FINISH/COLOR
1	1	MC 5P SUB-ASSEMBLY	-	-
2	1	CABLE PLATE	ULTRADUR B4406 G2	YELLOW
3	10	RECEPTICLE SHELL	CZ121 Pb3	BRIGHT NICKEL PLATED
4	10	FEMALE INSERT	PUR	BLACK
5	50	CONTACT FEMALE	BRASS	GOLD OVER Ni- PLATED
6	1	FIBER-OPTIC PA	GRILLAMID TR 55 LX NATURAL	TRANSPARENT
7	11	LABEL M8 MPIS PORT	PVC	WHITE
8	1	M8-10 PORT HOUSING YEL	PBT	YELLOW
9	10	GASKET	FKM	RED
10	10	MPIS-LED Lens	ULTRADUR B4406 G2	YELLOW
11	2	BLANKING PLUG	DURETHAN B30S	BLACK
12	-	POTTING MATERIAL	WEVO	TRANSPARENT
13	1	LABEL	VINYL	YELLOW

TABLE 1

MOLEX P/N	ENGINEERING No	LENGTH (mm)
1300380018	BG19379-M003	300±25
1300380008	BG19379-M005	500±25
1300380017	BG19379-M006	600±25
1300380019	BG19379-M007	700±25
1300380020	BG19379-M010	1000±25

DOCUMENT STATUS	P1	RELEASE DATE	2020/05/20	12:27:42
-----------------	----	--------------	------------	----------

THIS DRAWING CONTAINS INFORMATION THAT IS PROPRIETARY TO MOLEX ELECTRONIC TECHNOLOGIES, LLC AND SHOULD NOT BE USED WITHOUT WRITTEN PERMISSION

FUNCTIONAL SYMBOLS: FA=0, FE=0, FP=0

SCALE: 1:2

GENERAL TOLERANCES (UNLESS SPECIFIED):

	MM	INCH
4 PLACES	±	±
3 PLACES	±	±
2 PLACES	±	± 0.01
1 PLACE	± 0.3	±
0 PLACES	±	±

ANGULAR TOL ± 2.0°

DRAFT WHERE APPLICABLE MUST REMAIN WITHIN DIMENSIONS

THIRD ANGLE PROJECTION

DRAWING: A3-SIZE

SERIES: 130038

EC NO: 637503

DRWN: RSCHIEBER 2020/05/12

CHK'D: RSILLER 2020/05/20

APPR: RSILLER 2020/05/20

INITIAL REVISION:

DRWN: DRAWN BY 0099/99/99

APPR: APPR BY 0099/99/99

DOCUMENT NUMBER: 1300380008

DOC TYPE: PSD

DOC PART: 000

REVISION: A1

MATERIAL NUMBER: SEE SHEET 2

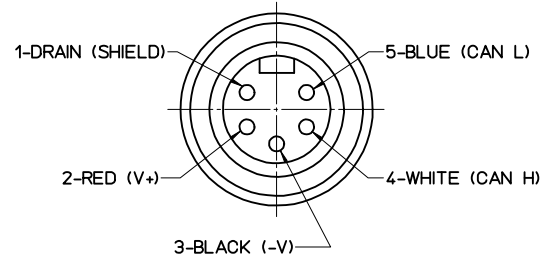
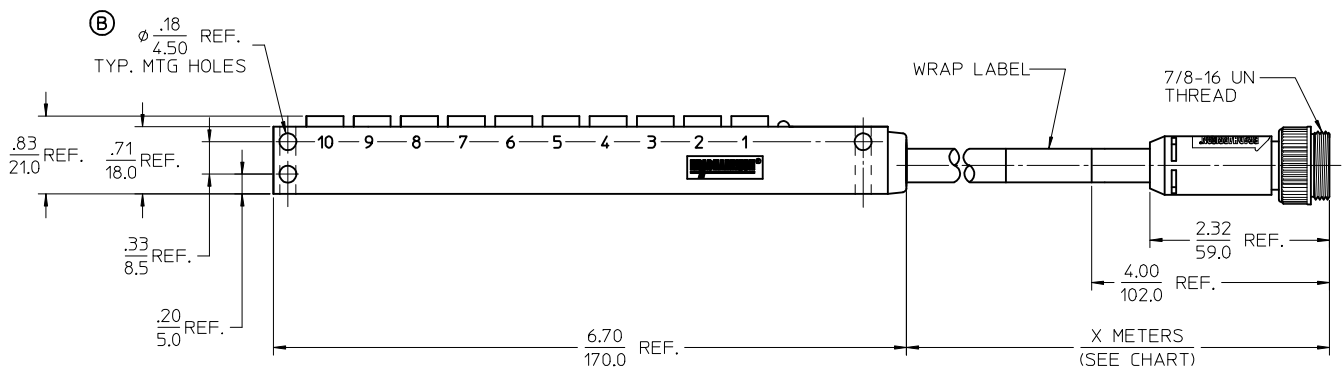
CUSTOMER: GENERAL MARKET

SHEET NUMBER: 2 OF 2

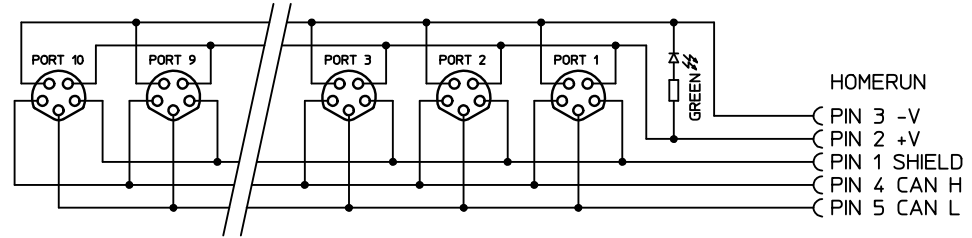
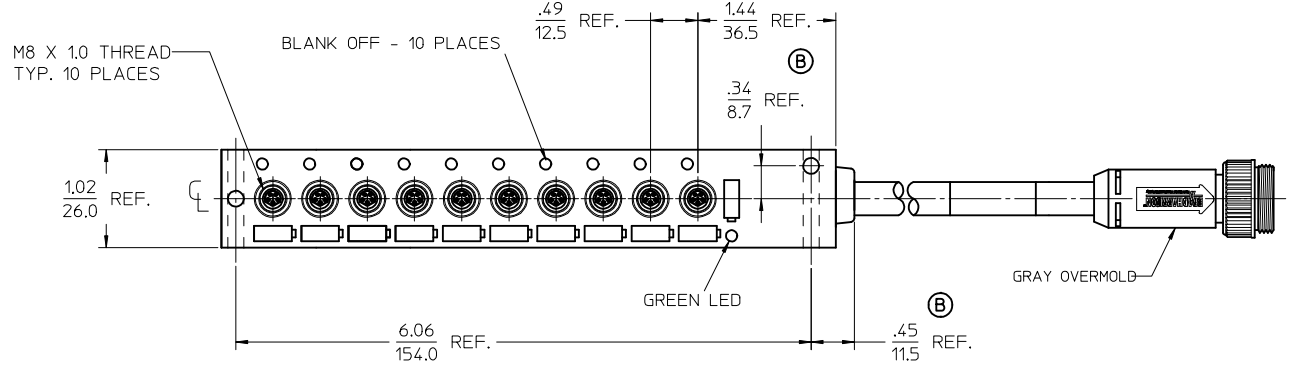
molex

M8 10-PORT MPIS D-NET UNIT 500MM

PRODUCT CUSTOMER DRAWING



MALE INSERT FRONT VIEW
SCALE: 2X



CUSTOMER PRODUCTION APPROVAL
APPROVED BY: _____
DATE: _____
MUST BE SIGNED AND RETURNED BEFORE
PRODUCTION WILL BEGIN.

SALES DRAWING

SPECIFICATION
 MATERIALS MPIS UNIT:
 HOUSING : YELLOW PBT (GLASS FILLED)
 PORT RECEPTACLES: BRASS-NICKEL PLATED
 PORT INSERTS: PUR (GLASS FILLED)
 CONTACTS: BRASS, GOLD PLATE
 O-RING: VITON
 MATERIALS: HOME RUN CONNECTOR
 CABLE: DEVICENET MID PVC CABLE
 INSERT: GREY PVC
 BODY: GREY PVC
 CONTACT MATERIAL: BRASS
 CONTACT PLATING: GOLD OVER PALLADIUM/NICKEL
 COUPLING NUT: ZINC DIE CAST, EPOXY-COAT
 ELECTRICAL:
 VOLTAGE: 10-30VDC
 CURRENT RATING: 2A PER PORT, 6 AMPS MAX.
 PROTECTION CLASS: IP68

MATERIAL NO.	ENGINEERING P/N	LENGTH
1300380018	BG19379-M003	0.3M ±25mm
1300380008	BG19379-M005	0.5M ±25mm
1300380017	BG19379-M006	0.6M ±25mm
1300380019	BG19379-M007	0.7M ±25mm
1300380020	BG19379-M010	1.0M ±25mm

ADD DIMS PER MKTG REQ. EC NO: IPG2013-1323 DRAWN: STONE 2013/02/25 CHKD: RUPERT 2013/02/26 APPR: J. MURPHY 2013/04/22	QUALITY SYMBOLS ▽=0 ▽=0	GENERAL TOLERANCES (UNLESS SPECIFIED)		DIMENSION STYLE IN/MM	SCALE ---	DESIGN UNITS METRIC	THIRD ANGLE PROJECTION		
		4 PLACES ± --- ± --- 3 PLACES ± --- ± --- 2 PLACES ± --- ± .01 1 PLACE ± 0.3 ± ---	mm INCH	DRAWN BY R. STONE	DATE 2010/12/06	TITLE M8 10-PORT MPIS D-NET UNIT			
		ANGULAR ± 2 °	DRAFT WHERE APPLICABLE MUST REMAIN WITHIN DIMENSIONS	CHECKED BY B. RUPERT	DATE 2010/12/09	APPROVED BY J. MURPHY			
		MATERIAL NO. SEE CHART	DOCUMENT NO. SD-130038-002	SHEET NO. 1 OF 1		THIS DRAWING CONTAINS INFORMATION THAT IS PROPRIETARY TO MOLEX INCORPORATED AND SHOULD NOT BE USED WITHOUT WRITTEN PERMISSION			