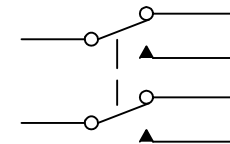
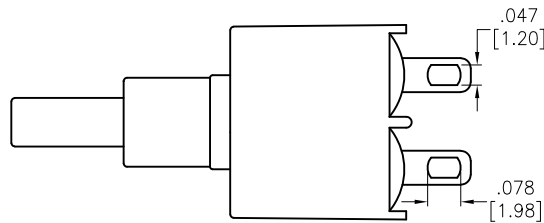
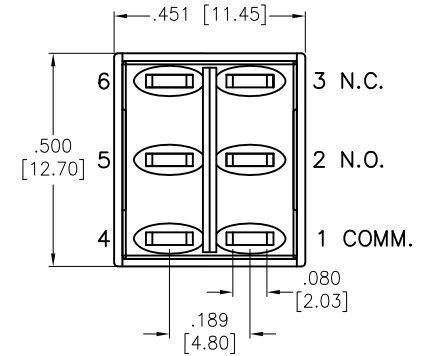
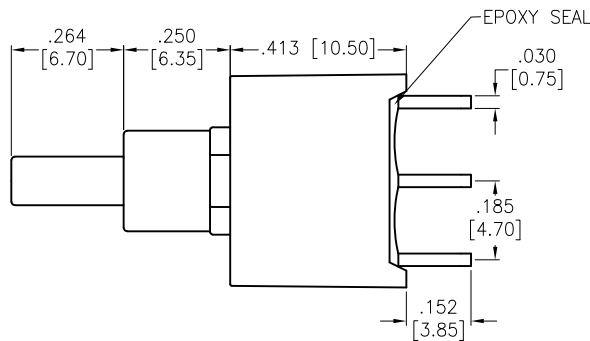
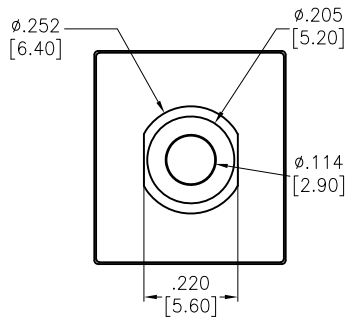


Rev	AWO #	Description	Date	Appr
-		RELEASED	9/30/21	

APPROVED: _____

DATE: _____ TITLE: _____



CIRCUIT DIAGRAM
(DPDT) ON-MOMENTARY

SPECIFICATIONS:

Material:
 Movable Contact: Copper Alloy, Silver Plated
 Terminal: Copper Alloy, Silver Plated with outer layer in gold plating
 Electrical:
 Voltage rating: 120VAC or 38VDC
 Current rating: 1 Amps
 Contact resistance: 10 mΩ max
 Insulation resistance: 1,000 Mohms min
 Dielectric withstanding voltage: 1,500V RMS @Sea level
 Mechanical:
 Waterproof: IP68
 Temperature Rating:
 Operating temperature: -30°C to +85°C
 Environmental:
 Lead free, RoHS compliant



UNLESS OTHERWISE SPECIFIED ALL DIMENSIONS ARE INCHES [MM]. TOLERANCES: EXCEPT AS NOTED

INCHES	HOLES
.X ± .10	ØX ± .10
.XX ± .020	ØXX ± .015
.XXX ± .015	ØXXX ± .010

ADAM TECH 909 Rahway Avenue,
 Union, NJ 07083
 Phone: 908-687-5000
 Fax: 908-687-5710

DRAWN	JJ	9/30/21
CHECKED	RC	9/30/21
APPROVED		

TITLE
**PUSHBUTTON SWITCH, ON-MOMENTARY, DPDT
 GOLD OVER SILVER PLATED, SOLDER TYPE, IP68**

THIS DRAWING CONTAINS INFORMATION THAT IS PROPRIETARY AND SHOULD NOT BE USED WITHOUT PRIOR WRITTEN PERMISSION FROM ADAM TECH

SIZE X	PART NO. SW-PB8-BA00B1GE-2D	REV. -
REF: S00198T	SCALE: NTS	SHEET 1 OF 1