

To \_\_\_\_\_

No. A768-040403N-01

Date 3rd Apr. '04

Type No.  
**CTDA1**

Data Sheet

<b>CDMA800/GSM850 Tx SAW Filter</b>	
Application	: Tx Filter for CDMA800/GSM850
Center Frequency	: 836.5MHz
Size	: 2.0x1.4mm, 5pin-layout
Impedance	: 50-50ohms unbalance-unbalance
Part No.	: EFCH836MTCD1

Issued S. Tsuzuki

Check K. Nishimura

CIRCUIT COMPONENTS BUSINESS UNIT

**MATSUSHITA ELECTRONIC COMPONENTS CO.,LTD**

KADOMA, OSAKA, JAPAN

**CDMA800/GSM850 Tx SAW Filter**

----- Unbalanced input and output -----

Part No. :

Design No. : T836PD1

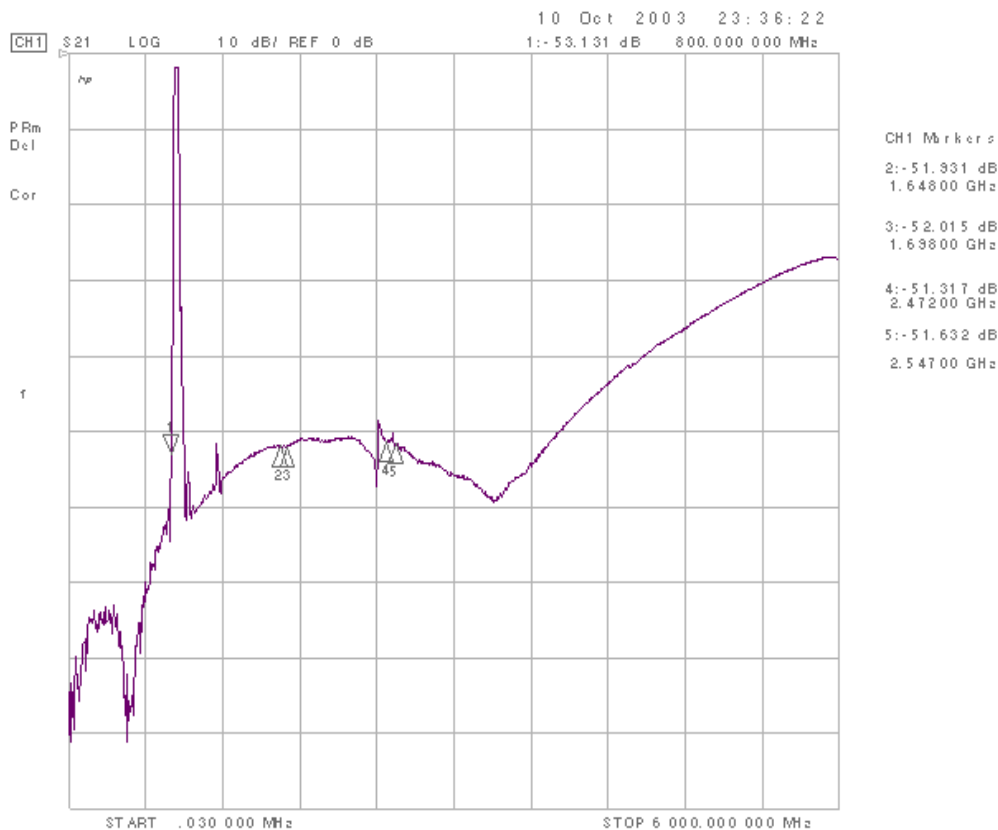
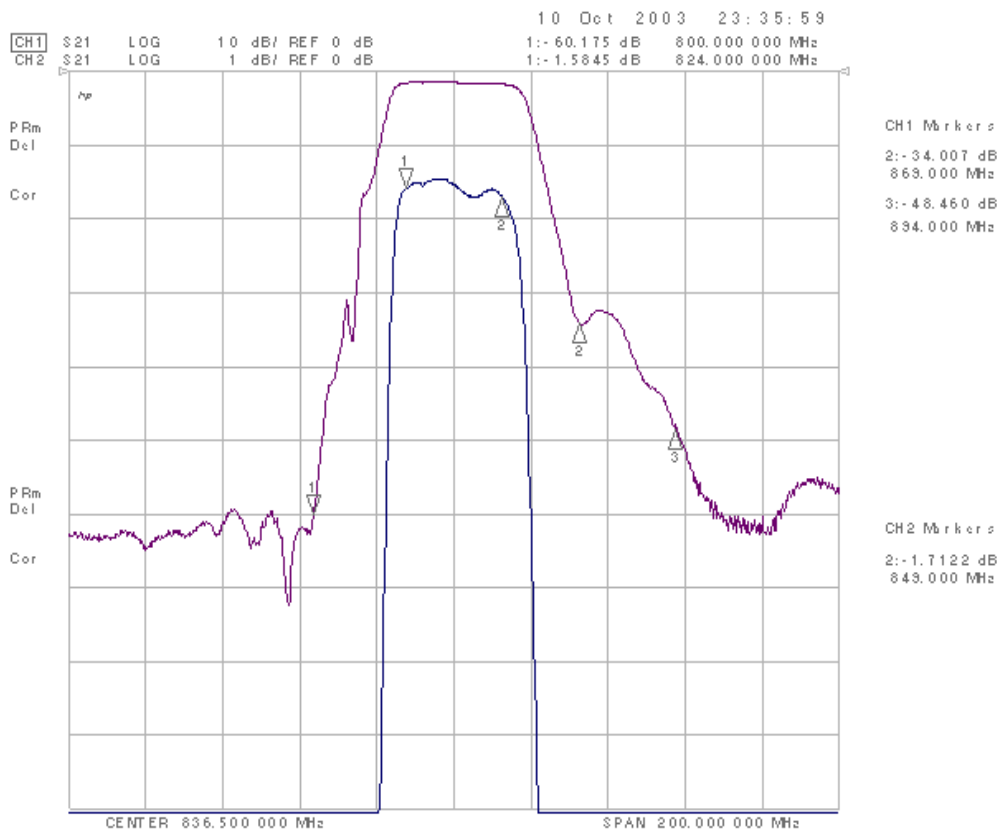
Parameter		Frequency	Your request			Our preliminary spec.			Unit
			Min.	Typ.	Max.	Min.	Typ.	Max.	
Passband			824 ... 849			824 ... 849			MHz
Insertion loss		824 ... 849MHz					1.7	2.3	dB
Ripple in passband		824 ... 849MHz					0.3	1.2	dB
Attenuation	Att1	DC ... 800MHz				40	58		dB
	Att2	869 ... 894MHz				27	32		dB
	Att3	1648 ... 1698MHz				35	52		dB
	Att4	2472 ... 2547MHz				30	50		dB
VSWR	Input	824 ... 849MHz					1.6	2.0	
	Output	824 ... 849MHz					1.6	2.0	
Input impedance						50			Ohm
Output impedance						50			Ohm
Maximum drive level								10	dBm
Operating temperature						-30		+85	deg. C
Storage temperature						-40		+85	deg. C

# CDMA800/GSM850 Tx SAW Filter

----- Unbalanced input and output -----

Part No. :

Design No. : T836PD1

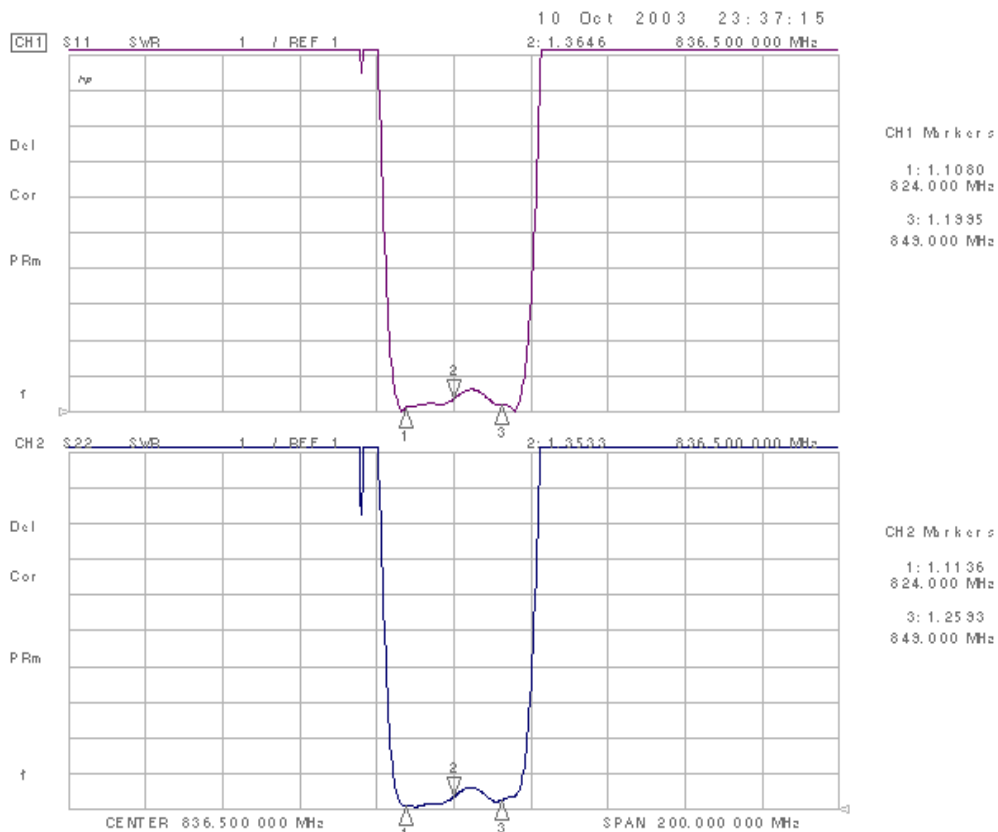
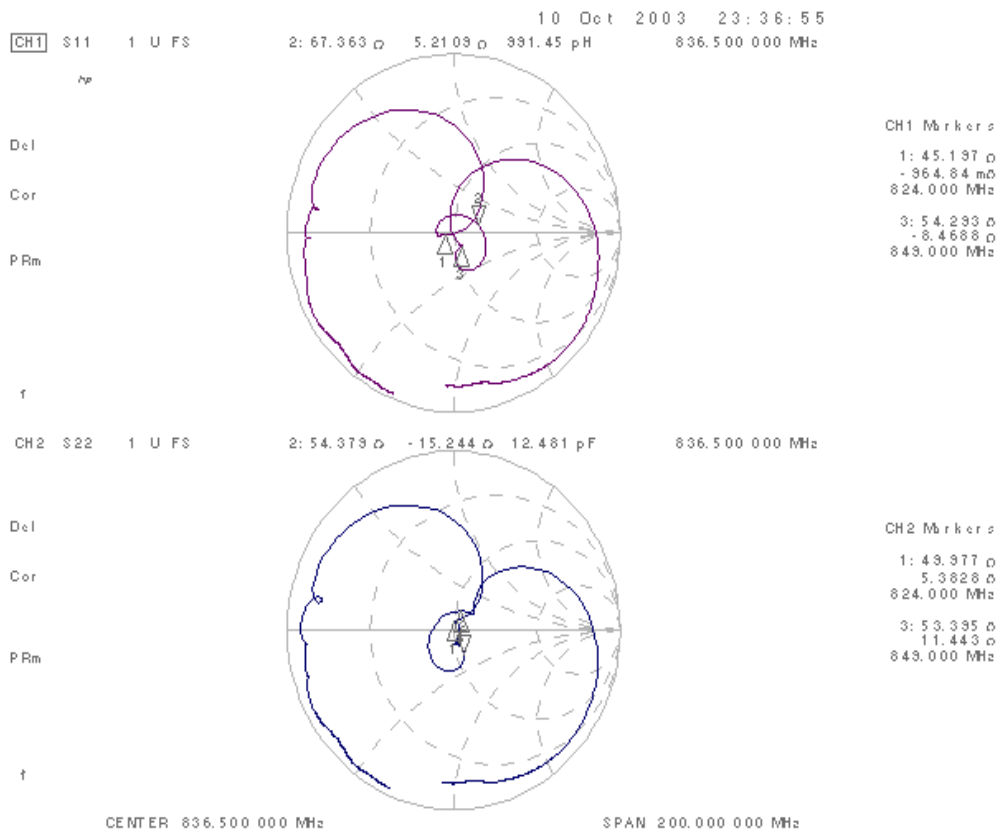


# CDMA800/GSM850 Tx SAW Filter

----- Unbalanced input and output -----

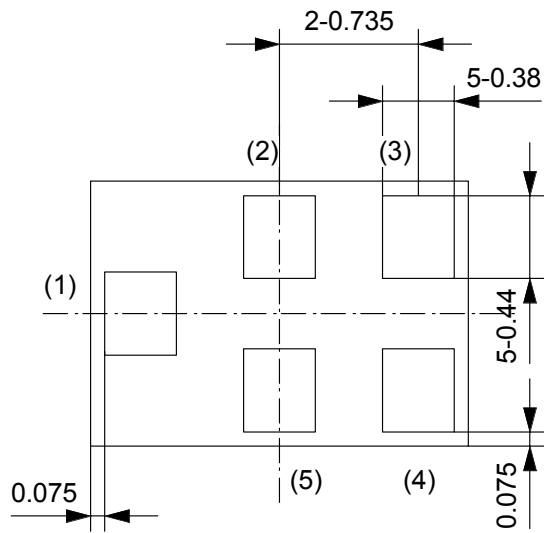
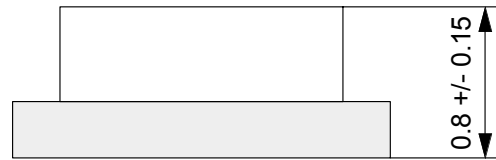
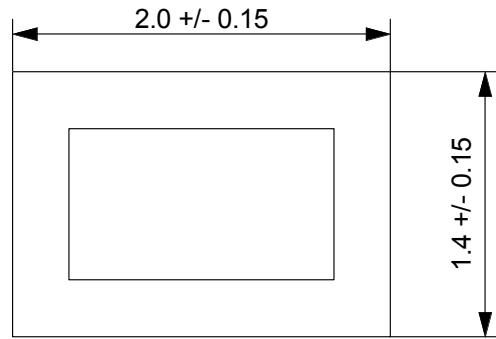
Part No. :

Design No. : T836PD1



THIRD ANGLE PROJECTION

Tolerance : +/-0.05



- (1) Input
- (2) GND
- (3) GND
- (4) Output
- (5) GND

**Note :**  
 The design manufacturing process,  
 and Specification of this device  
 are subject to change without  
 notice.

UNLESS OTHERWISE SPECIFIED

BASIC DIMENSIONS		TOLERANCE
UP TO	INCL	
TO	INCL	
TO	INCL	
TO	INCL	
ABOVE		

--	--	--

ISSUE	REVISIONS	DATE
MATERIAL	FINISH	SCALE
DESIGN		
DRAW		
CHECK		
APPROVAL		
DRAWING NO.		

NAME SAW Filter	TYPE NO.
--------------------	----------

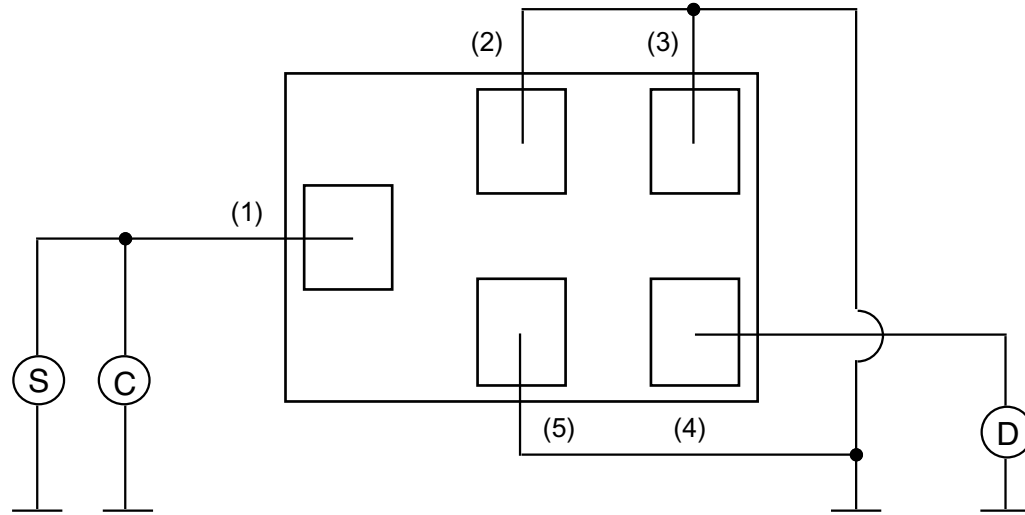
**CERAMIC BUSINESS UNIT, LCR DEVICE COMPANY  
 MATSUSHITA ELECTRONIC COMPONENTS CO.,LTD.  
 KADOMA, OSAKA, JAPAN**

DO NOT SCALE DRAWING

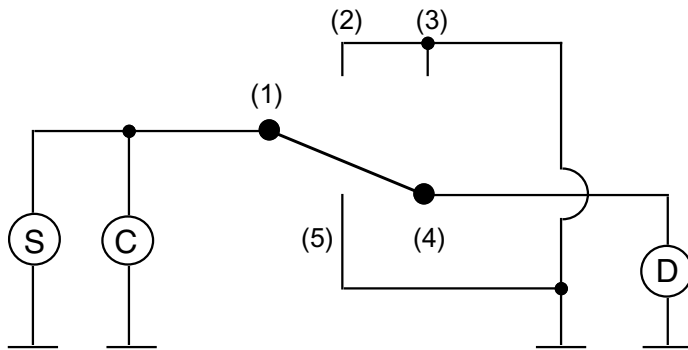
REVISIONS INDICATED BY Δ

ALL DIMENSIONS ARE IN MILLIMETERS

# Measurement Circuit



# 0 Level



S : Standard Signal Generator  
(Output Impedance 50ohm)  
C : Frequency Counter  
D : Detector  
(Input Impedance 50ohm)

--	--	--

ISSUE	REVISIONS	DATE
MATERIAL	FINISH	SCALE
DESIGN		
DRAW		
CHECK		
APPROVAL		
DRAWING NO.		

NAME	TYPE NO.
SAW Filter	

**CERAMIC BUSINESS UNIT, LCR DEVICE COMPANY  
MATSUSHITA ELECTRONIC COMPONENTS CO.,LTD.  
KADOMA, OSAKA, JAPAN**

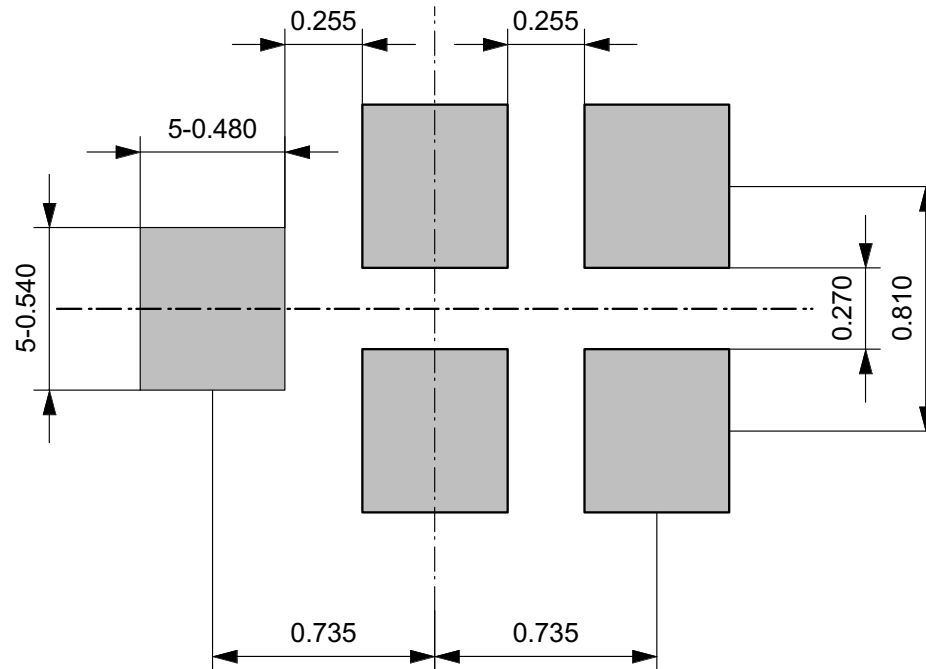
Fig. 2

THIRD ANGLE PROJECTION

UNLESS OTHERWISE SPECIFIED

BASIC DIMENSIONS		TOLERANCE
UP TO	INCL	
TO	INCL	
TO	INCL	
TO	INCL	
ABOVE		

**Recommended land pattern**



**Note :**  
 The design manufacturing process, and Specification of this device are subject to change without notice.

--	--	--

ISSUE	REVISIONS	DATE
MATERIAL	FINISH	SCALE
DESIGN		
DRAW		
CHECK		
APPROVAL		
DRAWING NO.		

NAME	SAW Filter	TYPE NO.
------	------------	----------

**CERAMIC BUSINESS UNIT, LCR DEVICE COMPANY  
 MATSUSHITA ELECTRONIC COMPONENTS CO.,LTD.  
 KADOMA, OSAKA, JAPAN**

DO NOT SCALE DRAWING

REVISIONS INDICATED BY Δ

ALL DIMENSIONS ARE IN MILLIMETERS