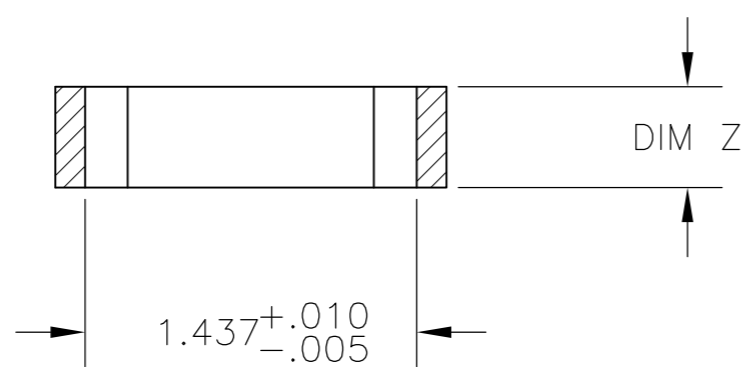
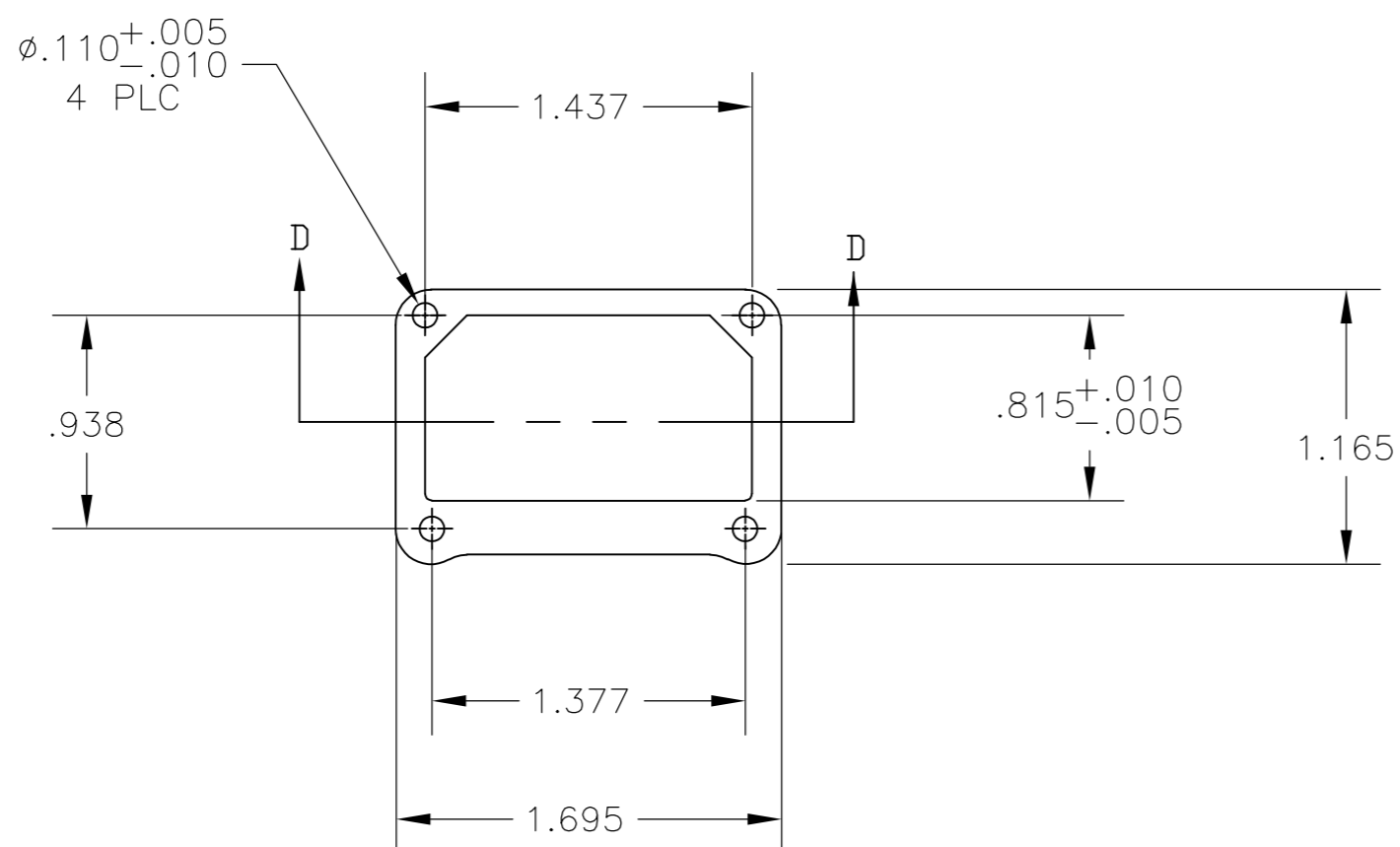


THIS DRAWING IS UNPUBLISHED. RELEASED FOR PUBLICATION
 © COPYRIGHT BY TYCO ELECTRONICS CORPORATION. ALL RIGHTS RESERVED.

LOC	DIST	REVISIONS			
P	LTR	DESCRIPTION	DATE	DWN	APVD
DF	X5				
	D	REV PER ECO-07-030671	21JAN08	PY	DE



SECTION D-D

- 1 MAT'L: ALUMINUM ALLOY
- 2 FINISH: BLUE ANODIZE
- 3 FINISH: ELECTROLESS NICKEL
- 4 FINISH: ELECTROLESS NICKEL
- 5 ELECTROLESS NICKEL DOES NOT CONTAIN INTENTIONAL ADDITIONS OF LEAD AND CADMIUM PER DFE STANDARD 230-700.

.437	4 5	1	5-205339-7
.218	3	1	205339-8
.437	3	1	205339-7
.218	2	1	205339-4
.437	2	1	205339-2
DIM Z	FINISH	MATERIAL	PART NO.

THIS DRAWING IS A CONTROLLED DOCUMENT.		DWN B. LATTUCA 02FEB2006	Tyco Electronics Tyco Electronics Corporation Harrisburg, PA 17105-3608																		
DIMENSIONS: INCHES		CHK J. MARKEY 02FEB2006	NAME																		
TOLERANCES UNLESS OTHERWISE SPECIFIED:		APVD J. MARKEY 02FEB2006	PRODUCT SPEC																		
<table border="0"> <tr><td>0 PLC</td><td>±</td><td>-</td></tr> <tr><td>1 PLC</td><td>±</td><td>-</td></tr> <tr><td>2 PLC</td><td>±</td><td>-</td></tr> <tr><td>3 PLC</td><td>±</td><td>.010</td></tr> <tr><td>4 PLC</td><td>±</td><td>-</td></tr> <tr><td>ANGLES</td><td>±</td><td>-</td></tr> </table>		0 PLC	±	-	1 PLC	±	-	2 PLC	±	-	3 PLC	±	.010	4 PLC	±	-	ANGLES	±	-	APPLICATION SPEC	
0 PLC	±	-																			
1 PLC	±	-																			
2 PLC	±	-																			
3 PLC	±	.010																			
4 PLC	±	-																			
ANGLES	±	-																			
MATERIAL ALUMINUM ALLOY	FINISH BLUE EPOXY	WEIGHT -	SIZE A2	CAGE CODE 00779																	
CUSTOMER DRAWING		SCALE 1:1	DRAWING NO. C-205339	RESTRICTED TO -																	
		SHEET 1 of 1	REV D																		