



MADE
IN THE **USA**

Alternative Products (each sold separately):

- BG002-0111, Bag Dispenser - Double, Clear PETG Plastic
- BG002-0512, Bag Dispenser - Double, Quartz Beige Powder-Coated Aluminum
- BG001-0212, Bag Dispenser - Single, Quartz Beige ABS Plastic



BG001-0212



BG002-0512



BG002-0111

Product Description:

- Bag Dispenser - Double
- Holds two rolls of bags (up to 9.50" long and 3.50" in diameter)
- Two-way keyholes for vertical or horizontal wall mounting
- Made of Quartz Beige ABS Plastic

Primary Area for Product Usage:

- Any location which requires bags for storage or refuse at the point of use: laboratory, food service, O.R., clinical areas, dental, veterinary

Dispenses:

- Two rolls of individual-sized biohazard, linen, or refuse bags
- Rolls no larger than 9.50"W x Ø3.50" (24.1 cm x 8.9 cm)

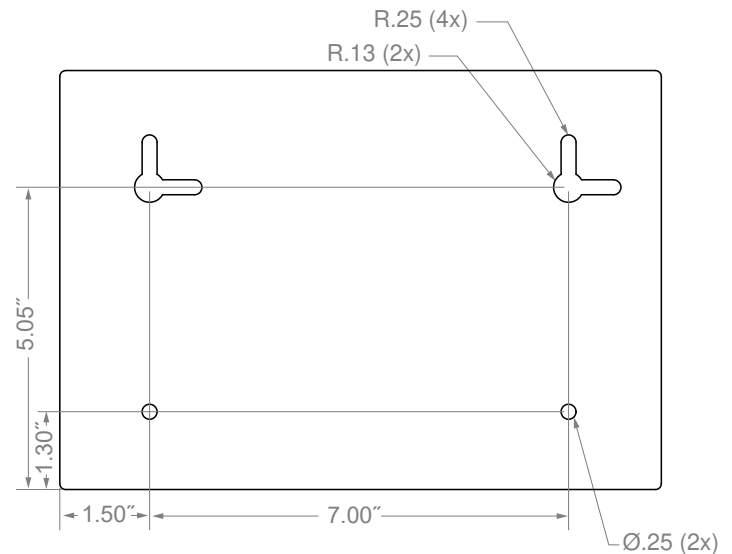
Package Specifications:

- Package Quantity: 6 per case
- 16"W x 12"H x 12"D (40.6 cm x 30.5 cm x 30.5 cm)
- 7.0 lbs (3.2 kg) - approximated

Product Specifications (overall external dimensions):

- 10.13"W x 7.13"H x 3.95"D (25.7 cm x 18.0 cm x 10.0 cm)
- 1.0 lbs (0.4 kg) - approximated

Mounting Specifications:

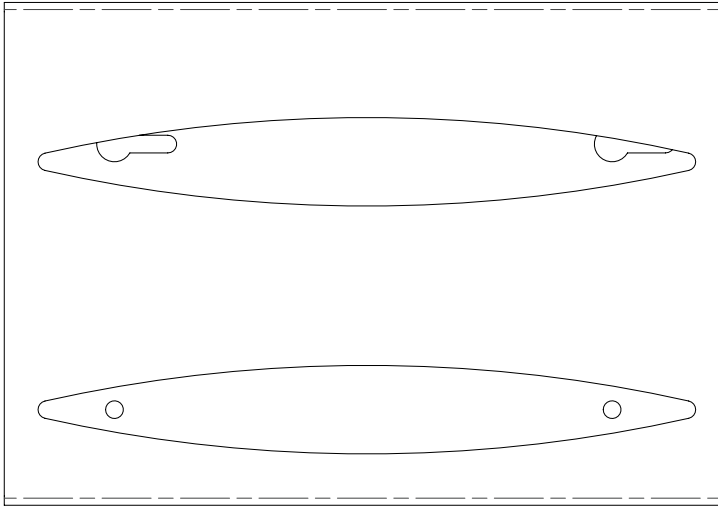




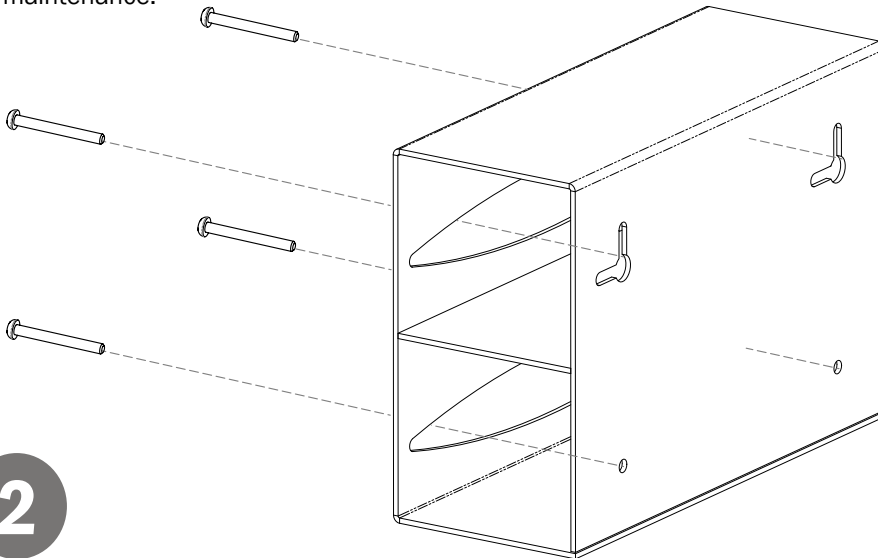
Installation

Always mount dispensers securely *prior* to loading with product.

- Curved cutout opening contains roll while dispensing and permits easy access.

**1**

- Mount securely to a wall with screws approved and supplied by building maintenance.

**2****Parts included:**

- Dispenser

Tools Required:

- No tools required to assemble dispenser

Care and Construction

ABS Plastic

Material Characteristics

Designed for Long-Term Heavy-Duty Applications

The combination of copolymers (Acrylonitrile, Butadiene, and Styrene) gives ABS an excellent combination of strength, rigidity, and toughness.

ABS is chemical and stress-crack resistant. It is tough, dimensionally stable, and will hold up to long-term use. It possesses high strength and performance characteristics at a reasonable cost.

Care and Cleaning

Use mild soap and water to clean. Petroleum-based oils, solvents, and paints should not be used.

Standard hospital cleaning supplies can be used.