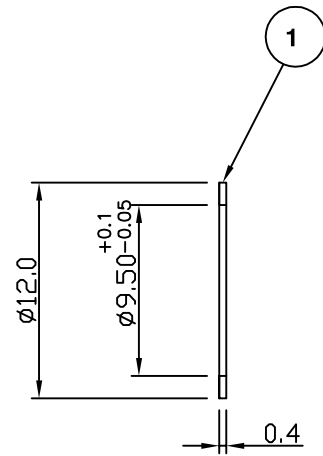


RoHS COMPLIANT



PART	DESCRIPTION
1	Washer

First Issue	SN	1	16 Aug 02
DESCRIPTION OF REVISION	APPVD	ISS	DATE

SCALE: Not To Scale

DIMENSIONS: mm

TOLERANCES:
± 0.2mm unless
otherwise stated

DRAWN BY:

S Nash

CHECKED BY:

P Couzens

APPROVED BY:

P Couzens

DATE:

16 Aug 02

TITLE:

Washer for F-Type

PART NUMBER:

VF-W

PAGE: 1 of 1



Cinch Connectivity Solutions
7-13 Russel Way,
Widford Industrial Estate,
Chelmsford, Essex,
CM1 3AA, UK.
Tel: +44 (0) 1245 359515
Fax: +44 (0) 1245 358938