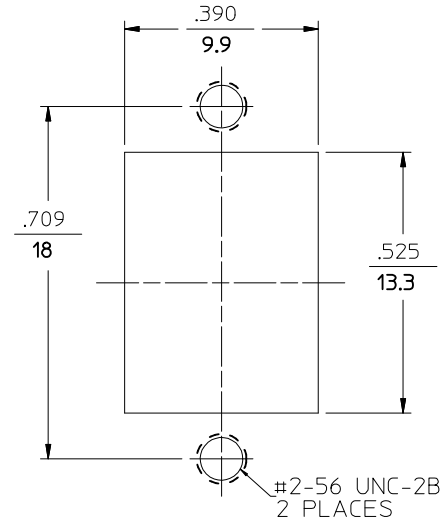
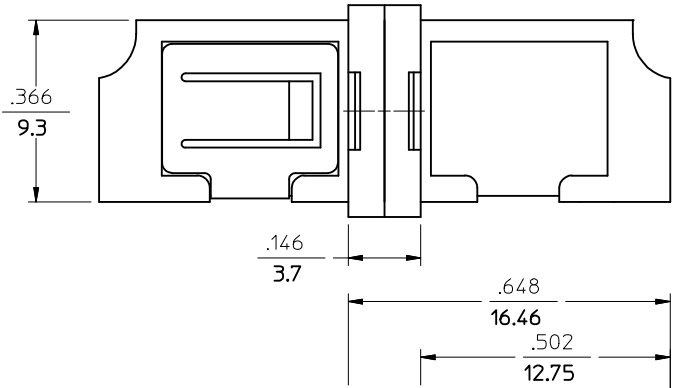
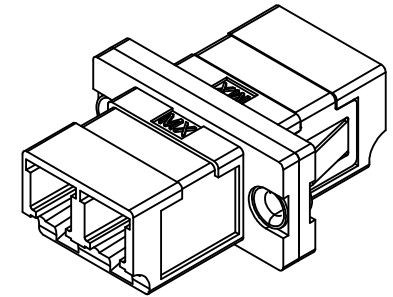
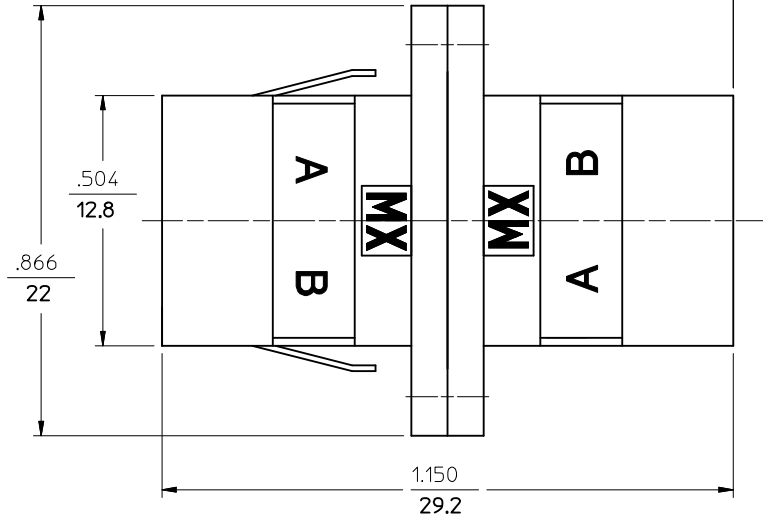
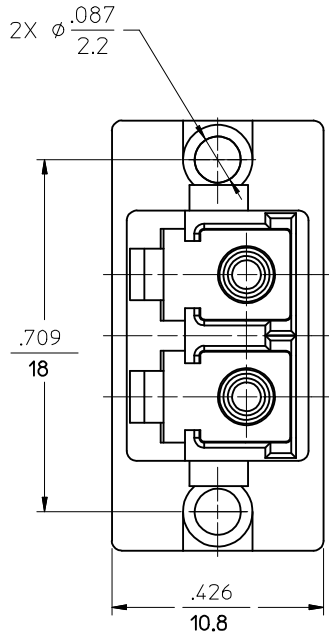


LC ADAPTER ASSY. P/N	LC SLEEVE MATERIAL
106126-0590	PH. BRONZE
106126-1590	ZR



RECOMMENDED MOUNTING CUTOUT FOR .063 THICK PANEL



NOTES:

1. ALL DIMENSIONS ARE FOR REFERENCE ONLY.
2. DUST CAPS NOT SHOWN.
3. ADAPTERS TO BE PACKAGED IN TRAY.

ENTER DESCRIPTION EC NO: MF2009-0626 2009/05/21 DRWN: LGUMIN 2009/05/21 CHKD: 2009/05/21 APPR: LGUMIN 2009/05/21 B1	QUALITY SYMBOLS ▽=0 ▽=2	GENERAL TOLERANCES (UNLESS SPECIFIED)		DIMENSION STYLE IN/MM		SCALE 1:1	DESIGN UNITS INCH	THIRD ANGLE PROJECTION			
		4 PLACES ± --- ± ---	mm INCH	DRAWN BY PGIBLIN	DATE 2005/10/05	TITLE METAL LC DUPLEX ADAPTER					
		3 PLACES ± --- ± ---		CHECKED BY	DATE	MATERIAL NO.					
		2 PLACES ± --- ± ---		APPROVED BY	DATE	MOLEX INCORPORATED					
		ANGULAR ±1/2°		DRAFT WHERE APPLICABLE MUST REMAIN WITHIN DIMENSIONS		SEE TABLE		DOCUMENT NO. SD-106126-X590	SHEET NO. 1 OF 1		
THIS DRAWING CONTAINS INFORMATION THAT IS PROPRIETARY TO MOLEX INCORPORATED AND SHOULD NOT BE USED WITHOUT WRITTEN PERMISSION											