

4

3

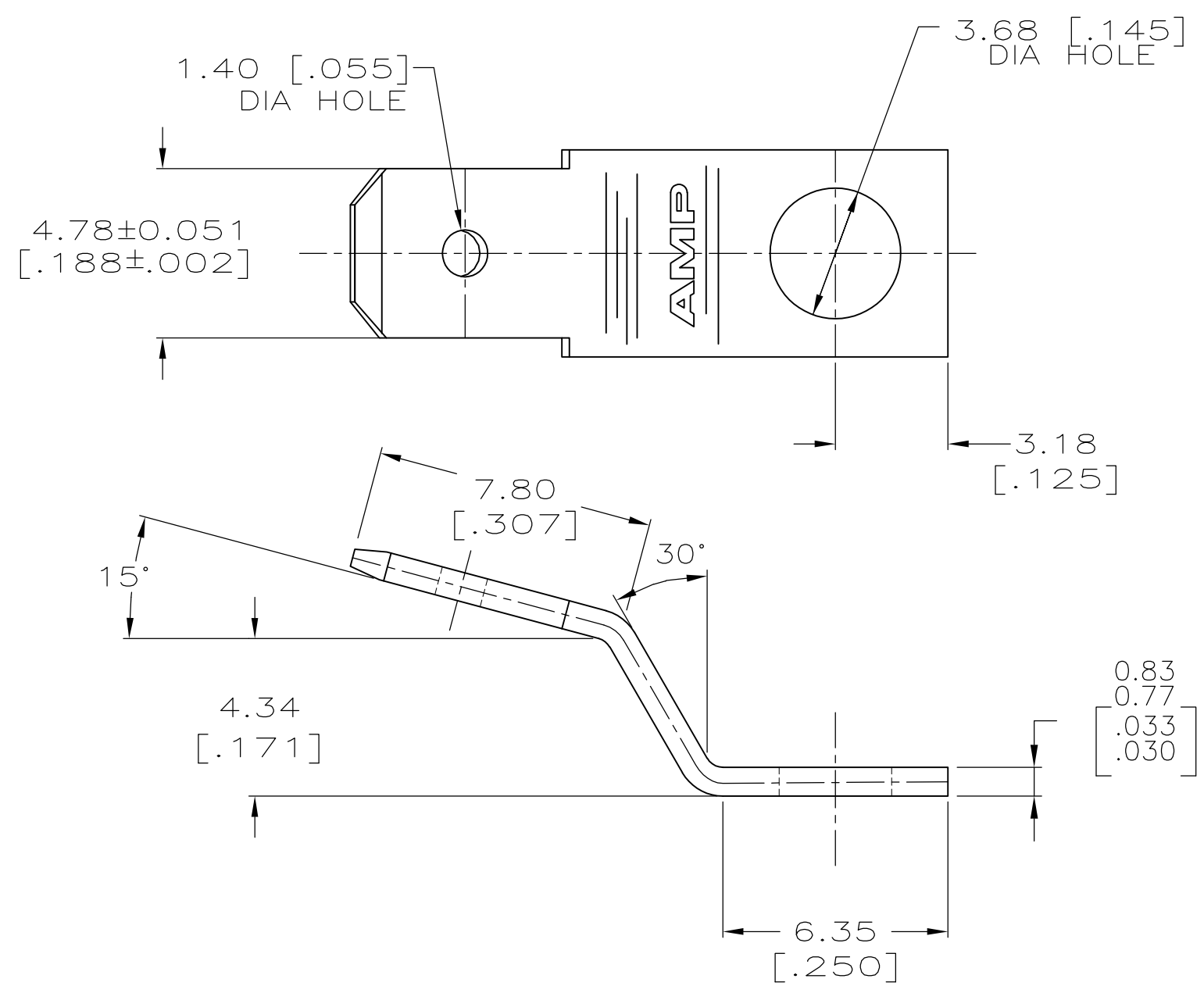
2

1


THIS DRAWING IS UNPUBLISHED. RELEASED FOR PUBLICATION - - -
 © COPYRIGHT - By - ALL RIGHTS RESERVED.

LOC	DIST	REVISIONS					
AF	50	P	LTR	DESCRIPTION	DATE	DWN	APVD
		G		REVISED PER ECR-13-011489	04DEC2013	KH	PD

1 SUPPLIED IN LOOSE PIECE.



62162-1
 PART NO.

THIS DRAWING IS A CONTROLLED DOCUMENT.		DWN	JR RUTH	3/9/98	 TE Connectivity					
DIMENSIONS:		CHK	MS FEHER	3/9/98				NAME		
mm [INCHES]		APVD	J WORMAN	3/9/98						
TOLERANCES UNLESS OTHERWISE SPECIFIED:		PRODUCT SPEC						RESTRICTED TO		
0 PLC ± - 1 PLC ± - 2 PLC ± 0.38 [.015] 3 PLC ± - 4 PLC ± - ANGLES ± -		APPLICATION SPEC			SIZE	CAGE CODE	DRAWING NO			
MATERIAL		WEIGHT			A3	00779	C-62162			
BRASS		FINISH			CUSTOMER DRAWING					
TIN OVER COPPER		SCALE			6:1	SHEET 1 OF 1				
		REV			G					