

OBSOLETE

SPECIFICATIONS:

MATERIAL:-

HOUSING: NYLON PA9T G.F.(UL94V-0), BLACK

TERMINAL: PHOSPHOR BRONZE

FRONT SHIELD: STEEL

REAR SHIELD: PHOSPHOR BRONZE

FINISH:-

TERMINAL: GOLD PLATING ON CONTACT AREA,

TIN PLATING ON SOLDER TAIL

FRONT SHIELD: NICKEL PLATING ALL OVER

REAR SHIELD: NICKEL PLATING ALL OVER

ELECTRICAL:-

CURRENT RATING: 1.5 AMP MAX.

VOLTAGE RATING: 40 V MAX.

VOLTAGE PROOF: 100V AC FOR 1 MINUTE

CONTACT RESISTANCE: 50 mΩ MAX.

INSULATION RESISTANCE: 100 MΩ MIN. AT 500V DC

MECHANICAL:-

DURABILITY: 1000 CYCLES

ENVIRONMENTAL:-

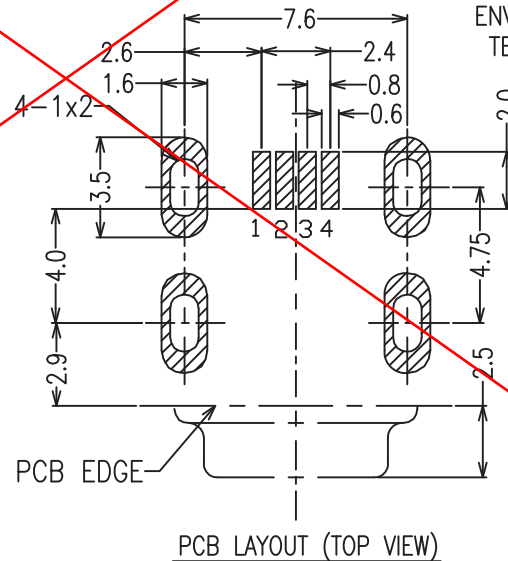
TEMPERATURE RANGE: -25°C ~ +85°C

NOTES: ALL DIMENSIONS AND NOTES

MARKED * ARE CRITICAL AND

MUST BE CHECKED IN ACCORDANCE

WITH QUALITY DOC. QI-02A



Leo	4	03.01.13	A399
Leo	3	21.12.12	A398
Allan	2	01.08.06	A109
Allan	1	01.08.06	-

NAME	ISS.	DATE	C/NOTE
------	------	------	--------

APPROVED: T.L

CHECKED: Leo

DRAWN: Leo

CUSTOMER REF.:

ASSEMBLY DRG:

TOLERANCES
 X.X = ±0.20mm
 X.XX = ±0.10mm



THIS DRAWING AND ANY INFORMATION OR DESCRIPTIVE MATTER SET OUT HEREON ARE CONFIDENTIAL AND COPYRIGHT PROPERTY OF THE HARWIN GROUP AND MUST NOT BE DISCLOSED, LOANED, COPIED OR USED FOR MANUFACTURING, TENDERING OR FOR ANY OTHER PURPOSE WITHOUT THEIR WRITTEN PERMISSION.

TOLERANCES
 X. = ±1mm
 X.X = ±0.25mm
 X.XX = ±0.10mm
 X.XXX = ±0.01mm
 ANGLES = ±5°
 UNLESS STATED

MATERIAL: SEE NOTES
FINISH: SEE NOTES
S/AREA: mm?

TITLE:
 IEEE 1394, MINI TYPE PCB MOUNT
 SMT TYPE, METAL SHIELD, FEMALE
DRAWING NUMBER:
 M702-230442
 SHT 1 OF 1

HARWIN USA
 TEL: 603 893 5376
 FAX: 603 893 5396
 mis@harwin.com

HARWIN Europe (UK)
 TEL: 023 9231 4545
 FAX: 023 9231 4590
 mis@harwin.co.uk

HARWIN Asia
 TEL: +65 6 779 4909
 FAX: +65 6 779 3868
 mis@harwin.com.sg