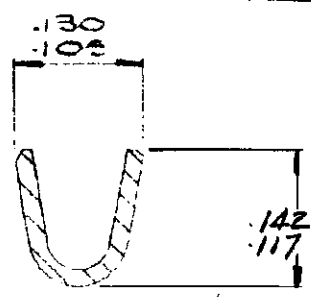
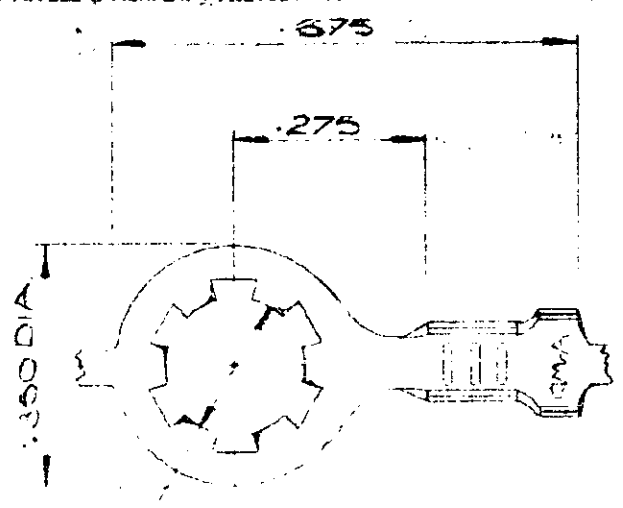


ANGLE (AMERICAN) PROJECTION

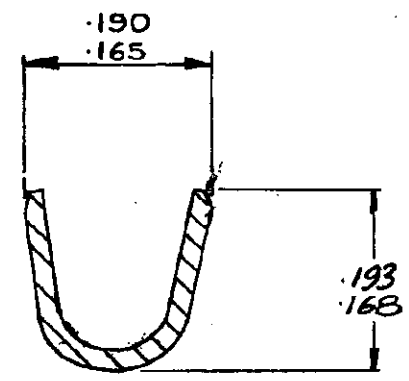
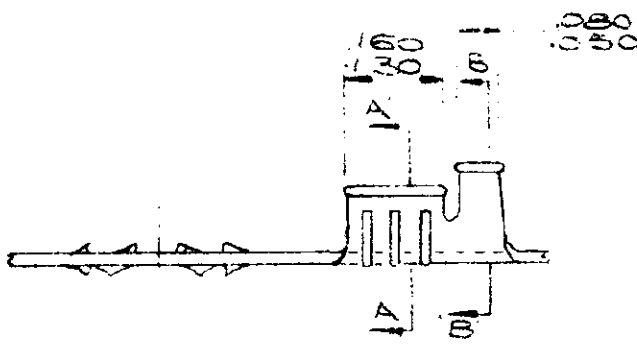
DIMENSIONS IN INCHES NOT SCALE PRINT
ENGINEERING OFFICE MASTER

C 152301



SECTION A-A
SCALE 6:1

.212
 STUD HOLE .205, .203 DIA
 (TO SUIT 2 BA. STUD)
 ⌀ 5MM STUD.



SECTION B-B
SCALE 6:1

ENGINEERING OFFICE MASTER

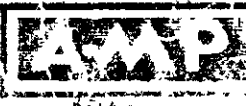
OBSOLETE	C-152301-3	STEEL	NICKEL PL
	C-152301-2	STEEL	TIN PLATE
	C-152301-1	STEEL	NONE
	PART NO	MATERIAL	FINISH

© AIRCRAFT MARINE PRODUCTS
 (GREAT BRITAIN) LTD 1965

CUSTOMER COPY
 REFERENCE ONLY

B1	REVISE PER ECR-17-013051	ST	SEP 17		
B	HOLE SIZE INCREASED TO ACCOMMODATE SM950	PS	16574		
A	INSULATION RANGE WAS .100 - .120 DIA	W	D 8 65		
LTR	REVISION F-1000	DR	CHK	DATE	

MATERIAL AND FINISH
 .018 THICK
 SEE TABLE



AIRCRAFT MARINE PRODUCTS
 (GREAT BRITAIN) LTD
 STANTON ROAD, MIDDLESBROUGH

WIRE - RANGE - REFLECTION TYPE
 20-16 110-130 DIA

TOLERANCE EXCEPT AS NOTED
 4:1

LOC A NO C-152301

PRINT DIST

W Z C W 7 65
 J Serrano 65

ENGINE PROSP RING TONGUE