

4

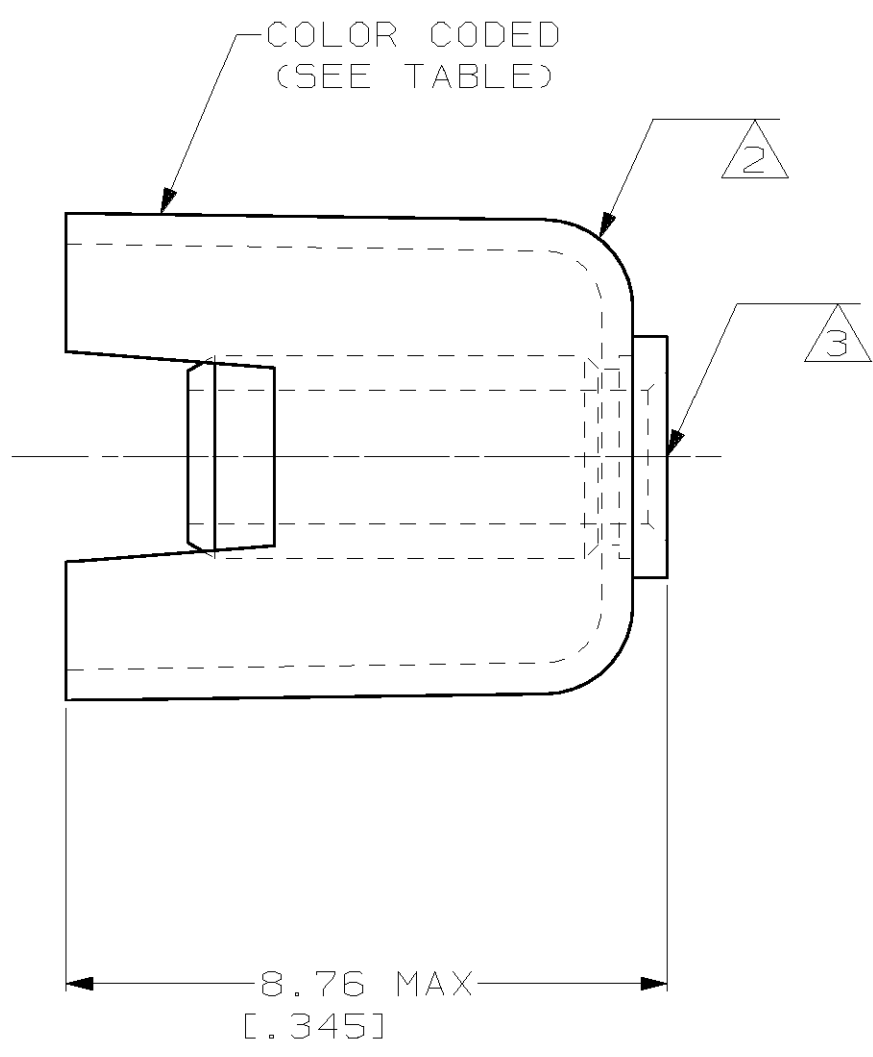
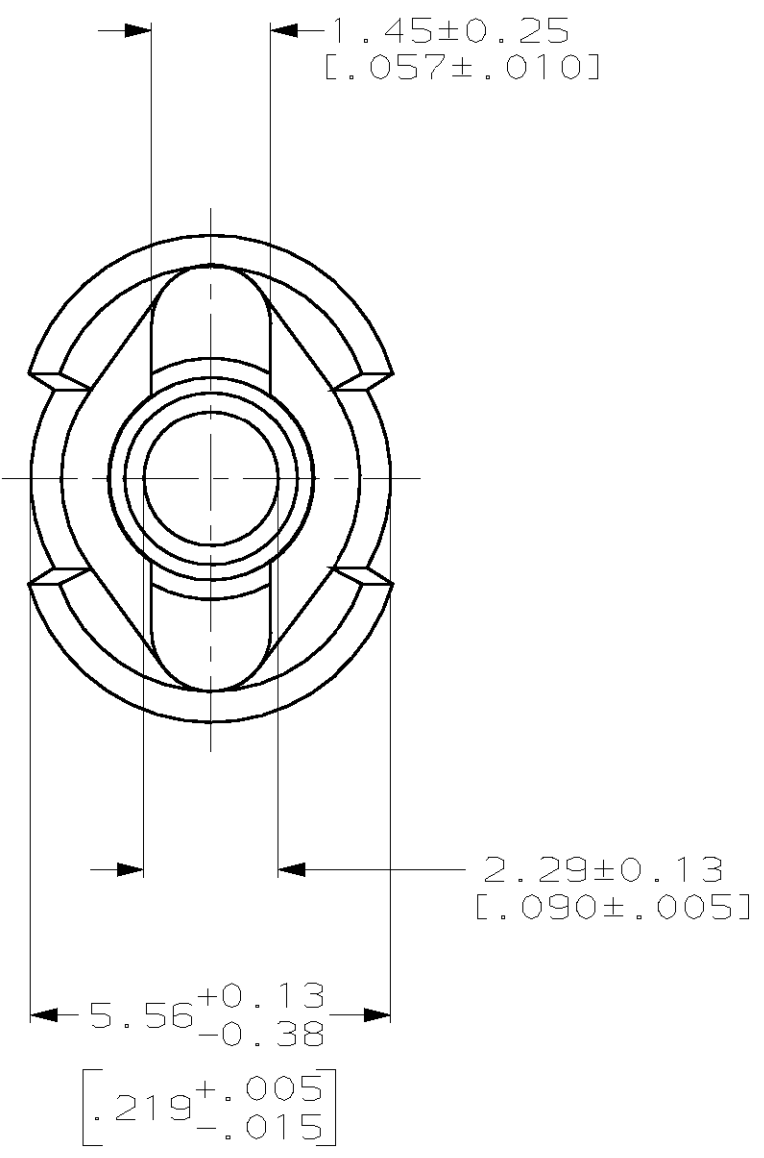
3

2

1

THIS DRAWING IS UNPUBLISHED. RELEASED FOR PUBLICATION, 19 .
 © COPYRIGHT 19 BY AMP INCORPORATED. ALL RIGHTS RESERVED.

LOC	DIST	REVISIONS			
P	LTR	DESCRIPTION	DATE	DWN	APVD
AJ	16	T	REV PER 0U20-0563-00	19OCT00	MO JL



- 1 ZINC PLATE PER QQ-Z-325
- 2 COPPER PER QQ-C-576
- 3 BRASS PER ASTM-B-16
- 4 TIN PLATE PER MIL-T-10727

INSULATION DIA: 1.50-2.16
 [.059-.085]

OBSOLETE

WEIGHT	COLOR	FINISH	PART NUMBER
.0212 OZ	AS PLATED	4	2-323931-2
-	AS PLATED	4	2-323931-1
.0212 OZ	AS PLATED	1	323931

THIS DRAWING IS A CONTROLLED DOCUMENT.		DWN J.L. GROFT 1-3-97	AMP AMP Incorporated Harrisburg, PA 17105-3608
DIMENSIONS: mm [INCHES]		CHK S.W. BURKHOLDER 1-3-97	
TOLERANCES UNLESS OTHERWISE SPECIFIED: 0 PLC ±- 1 PLC ±- 2 PLC ±- 3 PLC ±- 4 PLC ±- ANGLES ±-		APVD S.W. BURKHOLDER 1-3-97	NAME FERRULE ASSEMBLY, TERMASHIELD
MATERIAL SEE NOTES		FINISH SEE NOTES	SIZE A3
			CAGE CODE 00779
			DRAWING NO C-323931
			SCALE 10:1
			SHEET 1 OF 1
			REV T
CUSTOMER DRAWING			