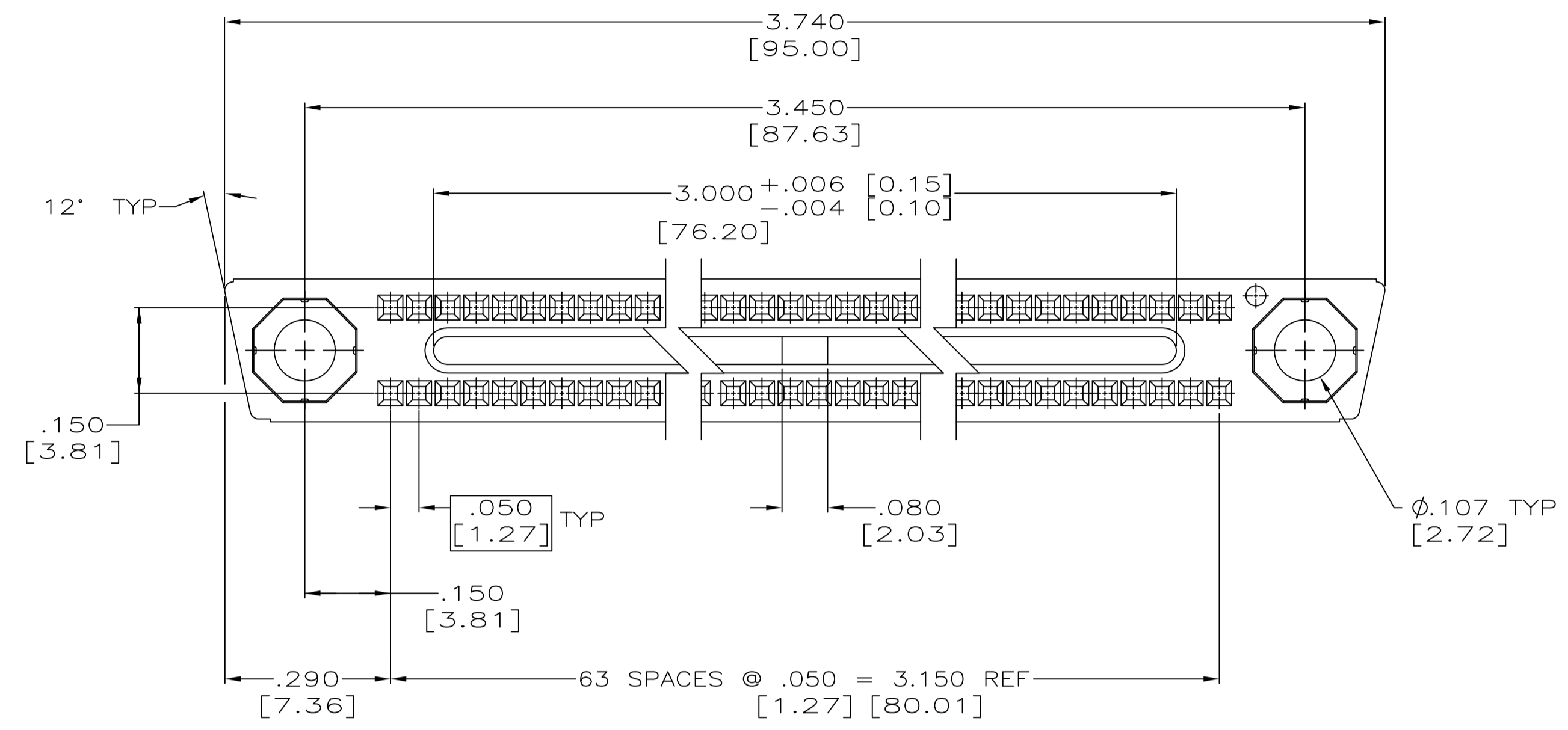
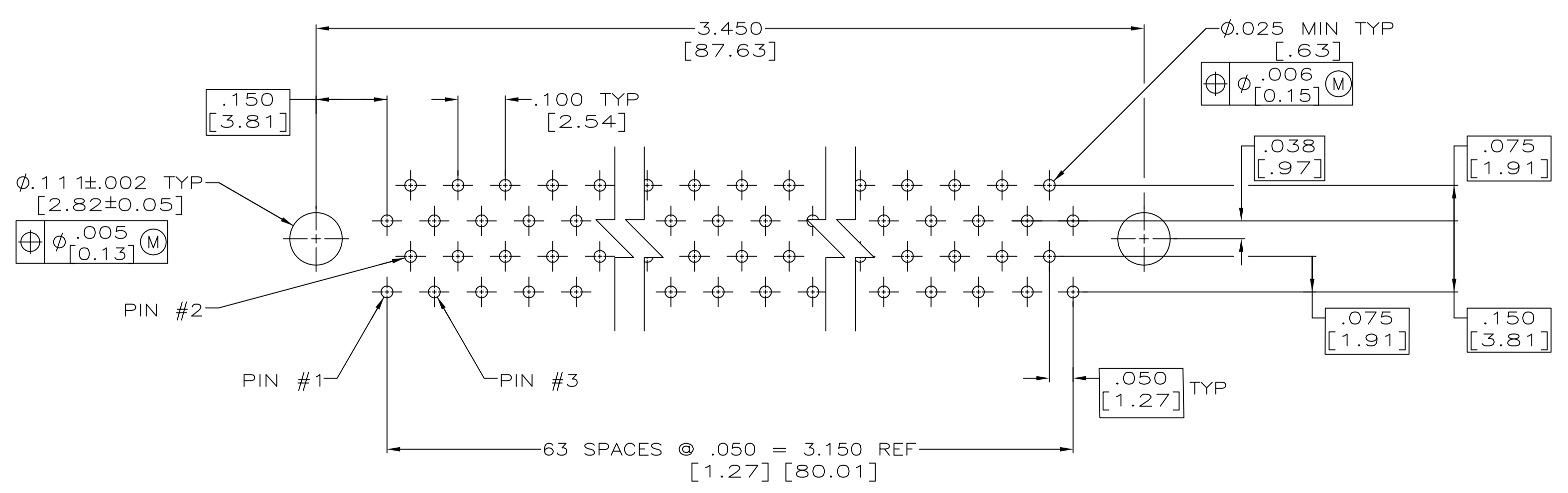
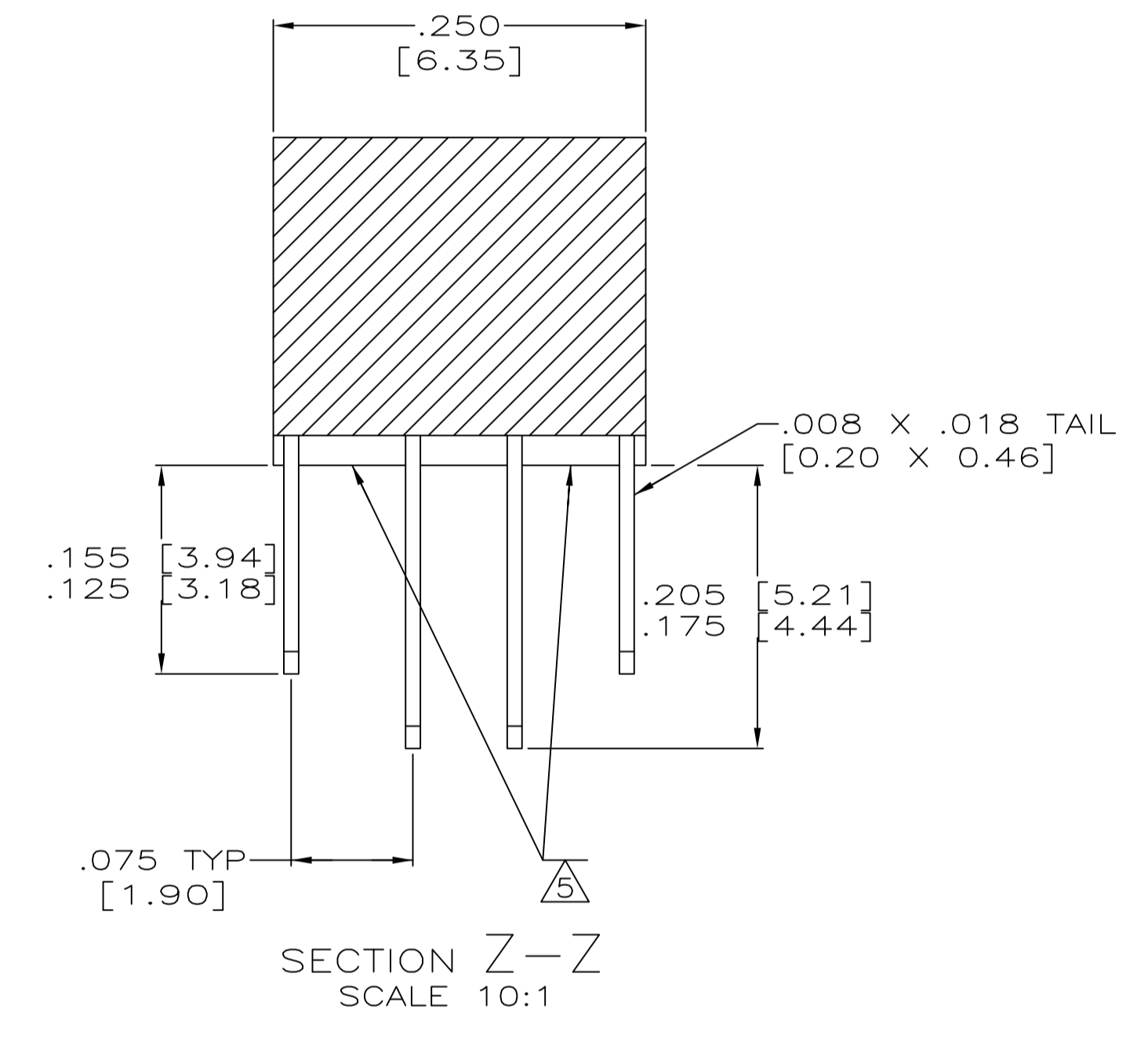
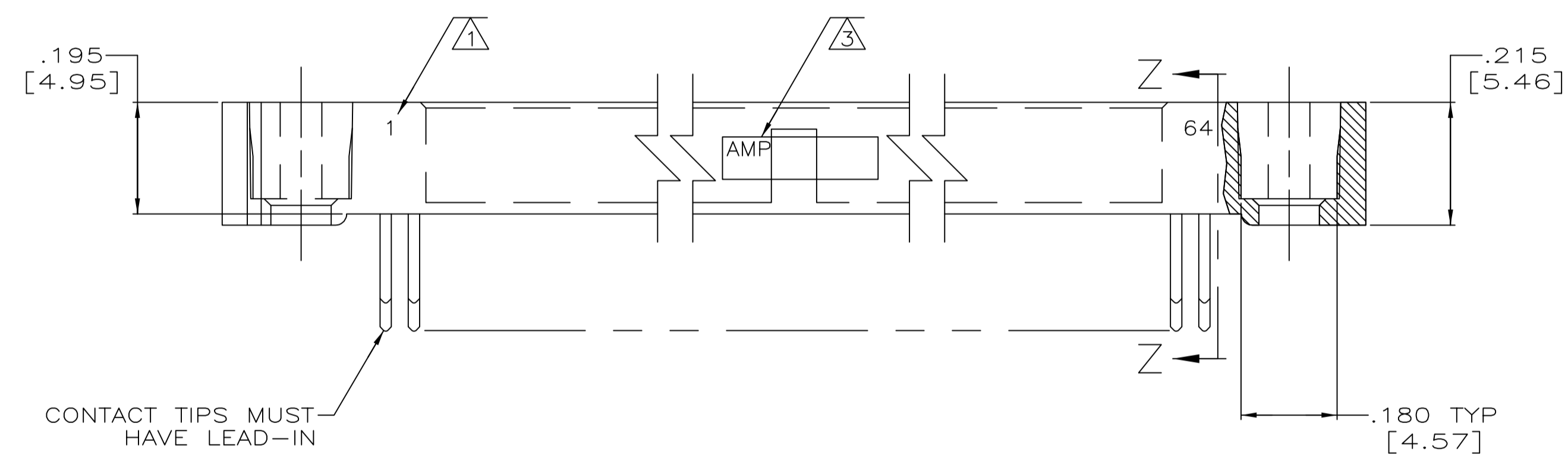


REVISIONS				
P	LTR	DESCRIPTION	DATE	OWN
F		REVISED PER ECO-16-017894	26APR2017	PHM CT



- 1. NUMBERS INDICATING END POSITIONS MARKED THIS SIDE ONLY.
- 2. MEETS ALL APPLICABLE REQUIREMENTS OF MIL-C-55302.
- 3. AMP, PART NO., CUSTOMER P/N AND DATE CODE MARKED APPROX. IN THIS AREA.
- 4. HOUSING MATERIAL: LIQUID CRYSTAL POLYMER PER MIL-M-24519, GLCP-30F; COLOR: GRAY.
- 5. EPOXY SEALANT ADDED TO BOTTOM OF HOUSING.



73030SOCN804697-1	1 - 64	128	447330-1
CUSTOMER PART NUMBER	CAVITY IDENTIFICATION	NUMBER OF POSITIONS	PART NUMBER

THIS DRAWING IS A CONTROLLED DOCUMENT.		DWN T. SHUEY 8-10-90		TE Connectivity RECEPTACLE ASSEMBLY, MINI-BOX SEALED, SPECIAL	
DIMENSIONS: INCHES(mm)		CHK J. HOKE 9-10-90			
TOLERANCES UNLESS OTHERWISE SPECIFIED:		APVD D. STONER 9-10-90		NAME	
0 PLC ± -		PRODUCT SPEC		SIZE CAGE CODE DRAWING NO	
1 PLC ± -		APPLICATION SPEC		RESTRICTED TO	
2 PLC ± -		FINISH: CONTACT: .000050 THICK GOLD IN CONTACT AREA TIN-LEAD ON TAILS		SCALE 5:1 SHEET 1 OF 1 REV F	
3 PLC ± .005 [0.13]		MATERIAL HOUSING: 4		A1 00779 C=447330	
4 PLC ± -		WEIGHT		CUSTOMER DRAWING	
ANGLES ± - 0°30'					