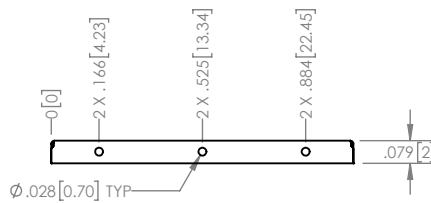
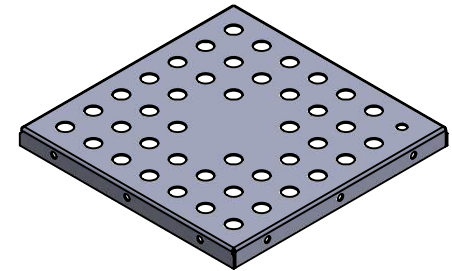
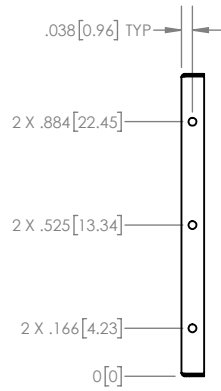
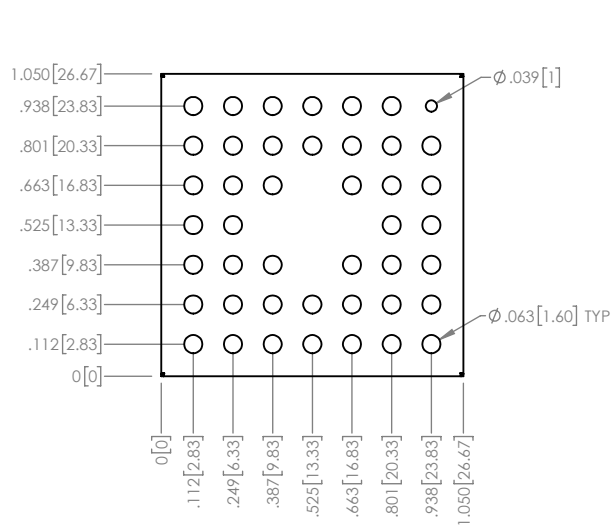


NOTES:

- MATERIAL: 0.006" TIN PLATED STEEL PER ASTM A623/A624



PROPRIETARY NOTICE: THESE DRAWINGS, LISTS OR SPECIFICATIONS ARE THE CONFIDENTIAL INFORMATION AND/OR TRADE SECRETS OF 3G SHIELDING SPECIALTIES (LP), AND ISSUED IN STRICT CONFIDENCE EXCEPT AS AUTHORIZED BY 3G SHIELDING SPECIALTIES IN WRITING. THESE DRAWINGS, LISTS OR SPECIFICATIONS SHALL NOT BE REPRODUCED, TRANSMITTED, USED FOR THE DESIGN, MANUFACTURE OR SALE OF EQUIPMENT OR USED FOR ANY OTHER PURPOSES WITHOUT WRITTEN EVALUATION.

UNLESS OTHERWISE SPECIFIED U/M INCHES TOLERANCE ± 0.005	ROHS COMPLIANCE 2011/65/EU
DATE 15-12-10	



PART NUMBER PIC-S-203C	REV. 0
DESCRIPTION SHIELD COVER	
SCALE 1.5:1	SHEET 1 OF 1