

3M™ Water Filtration Products

SPEC# _____

QUANTITY _____

model:

application: **COLD BEVERAGE**

BEV140/BEV145



3M™ Water Filtration Products, High Flow Series models BEV140 and BEV145 single cartridge water filtration systems help to improve the taste, appearance and consistency of your beverages at flow rates up to 2.1 gpm (7.9 lpm).

BEV140 combines cyst and bacteria¹ reduction with particulate and chlorine taste and odor reduction for up to 25,000 gallons (94,635 liters).

BEV145 combines particulate reduction with chlorine taste and odor reduction for up to 25,000 gallons (94,635 liters).

PRODUCT BENEFITS

- Consistent high-quality, great tasting beverages for continued customer satisfaction.
- Revolutionary **I**ntegrated **M**embrane **P**re-**A**ctivated **C**arbon **T**echnology (“**I.M.P.A.C.T.**”) dual-zone media cartridge construction combines a membrane in series with premium activated carbon to provide superior throughput and cartridge life.
- Built-in bacteria inhibitor intended to reduce fouling of media. (HF40 replacement cartridge).
- Certified by NSF to Standard 53 for cyst reduction (HF40 replacement cartridge).
- NSF Standard 42.
- FDA CFR-21 compliant materials.
- NSF Certified 3M Purification Inc. (High Flow Series).
- Reduction of up to 99.99% of common water-borne bacteria by membrane filtration as tested by 3M Purification Inc. (HF40 replacement cartridge).
- Reduction of particulate helps prevent equipment wear and helps extend the life of pumps, valves, o-rings and seals.
- Valve-in-head design simultaneously shuts off and vents water, allowing for simple and virtually trouble-free cartridge change-outs without the need to shut off the upstream feed water.
- Sanitary Quick Change (SQC) encapsulated cartridge design allows for fast and easy cartridge change-outs with a 1/4 turn.
- 3/8" FNPT horizontal inlet and outlet ports allow direct or easily adaptable connections to existing plumbing lines.

PRODUCT SPECIFICATIONS

Model Number	Part Number	Reduction Claims	Nominal Micron Rating	Capacity	Service Flow Rate	Application	Replacement Cartridge	Sizing
BEV140	5616201	Cyst, Bacteria ¹ , Particulate, Chlorine Taste and Odor	0.2 ²	25,000 gallons (94,635 liters)	2.1 gpm (7.9 lpm)	Most Standard Water	HF40: 5613303	Single High Flow Carbonator Dispenser
BEV145	5616202	Particulate, Chlorine Taste and Odor	3.0 ²	25,000 gallons (94,635 liters)	2.1 gpm (7.9 lpm)	Higher Turbidity Water	HF45: 5613307	Single High Flow Carbonator Dispenser

¹ As tested and verified with either *E. Coli* ATCC (11229) by manufacturer's lab.

² NSF Certified for Particulate Class I



BEV140/BEV145

3M™ Water Filtration Products

SPEC# _____
QUANTITY _____
MODEL NUMBER _____
PART NUMBER _____

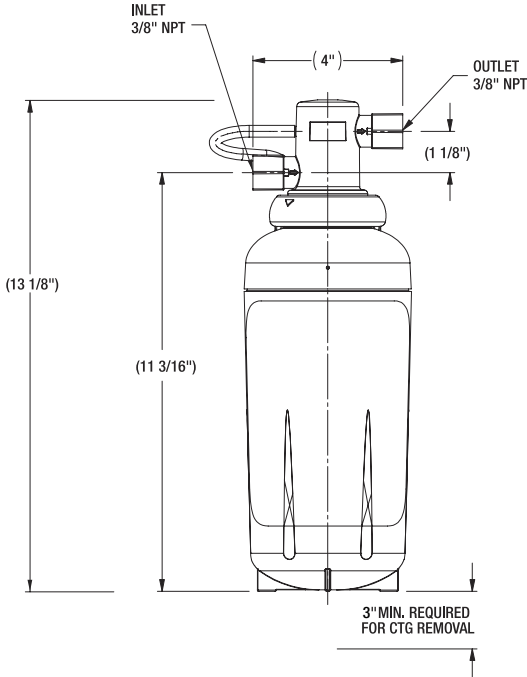
SPECIFICATIONS

- System includes a head assembly with integral mounting bracket, pressure gauge and a single cartridge filter.
- Inlet and outlet plumbing connections are 3/8" FNPT.
- System incorporates an internal automatic 1/4 turn shut-off valve.
- Filter cartridges are O-ring seal type.
- System maximum operating pressure of 125 psi (862 kPa) and operating temperature of 100 °F (37.8 °C).
- Recommended service flow rate is up to 2.1 gpm (7.9 lpm).
- Filter cartridges incorporate a bacteriostatic carbon block filtration medium (HF40 replacement cartridge).
- NSF Standard 42.
- FDA CFR-21 compliant materials.
- Cartridges are sanitary in design, requiring no contact with the filter media during cartridge change-out.
- Filter cartridges require no pre-activation.
- NSF Performance Data Sheet (PDS) is included.
- Shipping weight: 8.9 lbs. (4.0 kg) per case.
- Operating weight: 6 lbs. (2.7 kg) per case.
- Case quantity: 2.

IMPORTANT: INSTALLATION TIPS

These installation tips are for informational purposes only and are not intended to be used as actual installation instructions. **CAUTION: To reduce the risk associated with property damage due to water leakage:**

- **Read and follow** Use Instructions before installation and use of this system.
- Installation and use **MUST** comply with all state and local plumbing codes.
- **Protect from freezing**, remove filter cartridge when temperatures are expected to drop below 40°F (4.4°C).
- **Do not install on hot water supply lines.** The maximum operating water temperature of this filter system is 100°F (37.8°C).
- **Do not install** if water pressure exceeds 125 psi (862 kPa). If your water pressure exceeds 80 psi (552 kPa), you must install a pressure limiting valve. Contact a plumbing professional if you are uncertain how to check your water pressure.
- **Do not install** where water hammer conditions may occur. If water hammer conditions exist you must install a water hammer arrester. Contact a plumbing professional if you are uncertain how to check for this condition.
- The disposable filter cartridge **MUST** be replaced every 12 months, at the rated capacity or sooner if a noticeable reduction in flow rate occurs.



⚠ WARNING: To reduce the risk associated with the ingestion of contaminants:

- **Do not use with water that is microbiologically unsafe or of unknown quality without adequate disinfection before or after the system.** Systems certified for cyst reduction may be used on disinfected water that may contain filterable cysts. EPA Establishment #10350-MN-007

3M Purification Inc. recommends regularly scheduled maintenance and replacement of the filter cartridge(s) in order for the product to perform as advertised/sold. 3M Purification Inc. shall not be liable for system failures due to improper maintenance.

LIMITED WARRANTY

3M Purification Inc. warrants this Product will be free from defects in material and manufacture for five (5) years from the date of purchase: The filter cartridge or filter membrane is warranted to be free from defects in material and manufacture for one (1) year. This warranty does not cover failures resulting from abuse, misuse, alteration or damage not caused by 3M Purification Inc. or failure to follow installation and use instructions. No warranty is given as to the service life of any filter cartridge or membrane as it will vary with local water conditions and water consumption. **3M PURIFICATION INC. MAKES NO OTHER WARRANTIES OR CONDITIONS, EXPRESS OR IMPLIED, INCLUDING, BUT NOT LIMITED TO, ANY IMPLIED WARRANTY OR CONDITION OF MERCHANTABILITY OR FITNESS FOR A PARTICULAR PURPOSE OR ANY IMPLIED WARRANTY OR CONDITION ARISING OUT OF A COURSE OF DEALING, CUSTOMER OR USAGE OF TRADE.** If the Product fails to satisfy this Limited Warranty during the warranty period, 3M Purification Inc. will replace the Product or refund your Product purchase price. This warranty does not cover labor. **The remedy stated in this paragraph is Customer's sole remedy and 3M Purification Inc.'s exclusive obligation. For additional information, see the entire Limited Warranty located in the product Installation and Operating Instruction Manual.**

Limitation of Liability: 3M Purification Inc. will not be liable for any loss or damage arising from this 3M Purification Inc. product, whether direct, indirect, special, incidental, or consequential, regardless of the legal theory asserted, including warranty, contract, negligence or strict liability. Some states and countries do not allow the exclusion or limitation of incidental or consequential damages, so the above limitation or exclusion may not apply to you.



3M Purification Inc.
400 Research Parkway
Meriden, CT 06450, U.S.A.
Tel 1-866-990-9785
1-203-237-5541
Fax 1-203-238-8701
www.3Mfoodservice.com
www.3Mpurification.com



Visit www.nsf.org for the claims associated with products that are NSF listed.

Please recycle. Printed in U.S.A.
3M is a trademark of 3M Company.
NSF is a trademark of NSF International.
© 2013 3M Company. All rights reserved.
70020194125 REV 0413