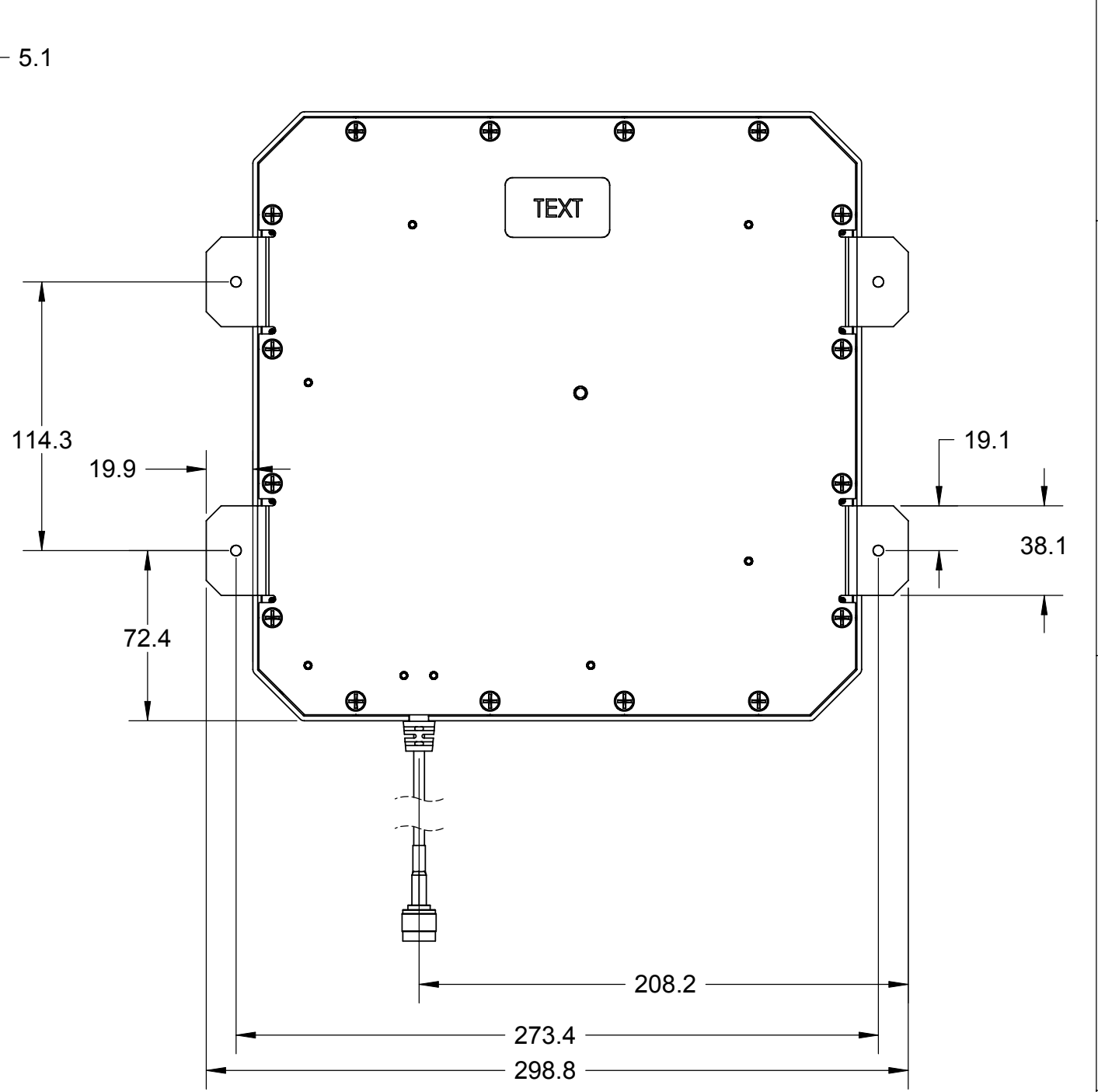
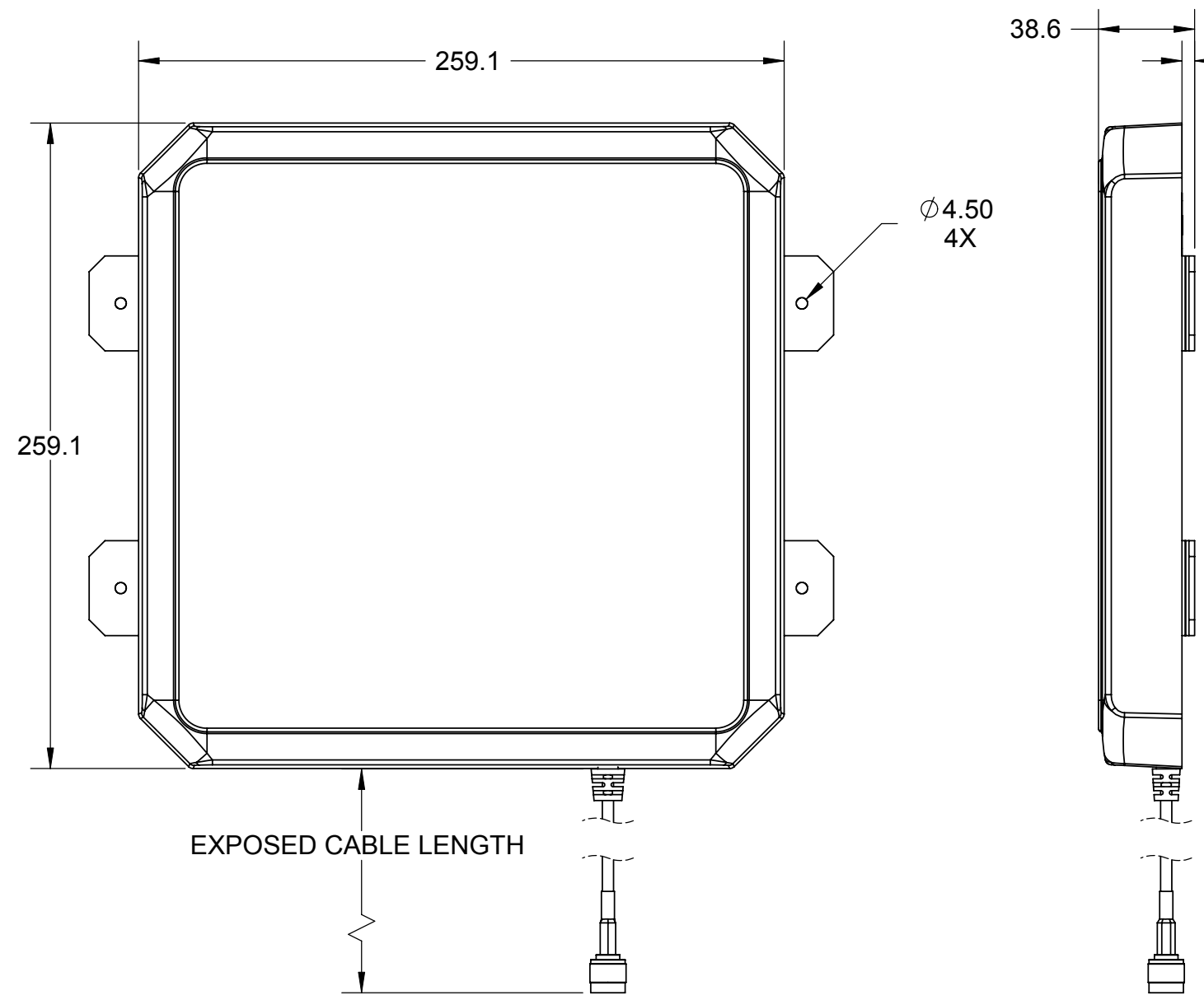


6 5 4 3 2 1

THIS DRAWING IS UNPUBLISHED.      RELEASED FOR PUBLICATION      --,-- .  
 © Copyright 2022 TE Connectivity Ltd.      ALL RIGHTS RESERVED.

REVISIONS					
REV.	ECR#	ZONE	DESCRIPTION	CHANGED BY/DATE	APPROVED BY/DATE
AA	MAN-4572		ORIGINATED & RELEASED PER ECR	MCL 05-15-2012	T.P. 05-15-2012



Parameter	Performance
Antenna Part Number	S9028PCRF-244RTNM
Frequency	902-928 MHz
Gain	9dBic
Polarization	Right Hand Circular
VSWR	1.3:1
Beamwidth (3dB)	70 Degrees x 70 Degrees
Front to Back Ratio	20 dB
Axial Ratio	1 dB Typical
Pigtail	RG-58, 96" (244cm)
RF Connector	RTN (male)
Power	10 Watts
Weight	2.3 lbs

<b>MATERIAL:</b>		THIRD ANGLE PROJECTION
<b>FINISH:</b>		
APPROVALS		DO NOT SCALE DRAWING
DATE		INTERPRET DIMENSIONING AND TOLERANCING IN ACCORDANCE WITH ASME Y14.5M-1994
DRAWN BY	M.LABONVILLE	05-16-12
PROJ. ENG.	T.PETROPOULOS	05-16-12
APPL. MECH.	W.LIBERIS	05-16-12
MFG.	B.THATCHER	05-16-12
		TOLERANCES UNLESS OTHERWISE SPECIFIED
		DIMENSIONS ARE IN MILLIMETERS
		ANGLE: ±30°
		0 PLACE DECIMAL: ±0.5
		1 PLACE DECIMAL: ±0.25
		2 PLACE DECIMAL: ±0.13
		SURFACE ROUGHNESS 1.6/√

**TE**  
connectivity

TITLE:  
**S9028PCRF-244RTNM**

SIZE <b>A3</b>	DWG. NO. <b>S9028PCRF-244RTNMMO</b>	REV <b>AA</b>
SCALE: 1:2.5 PREVIOUS#		SHEET 1 OF 1

6 5 4 3 2 1