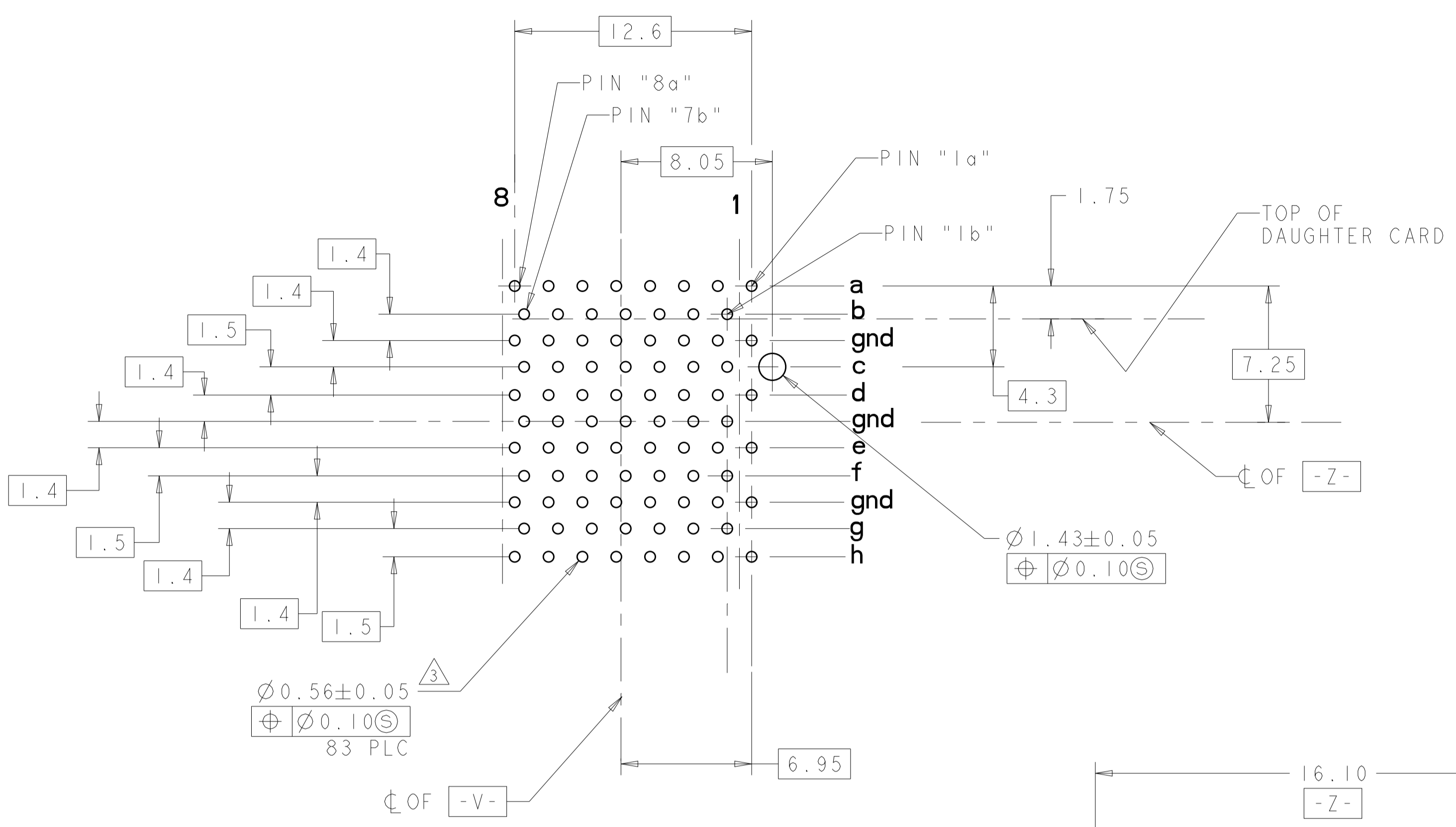
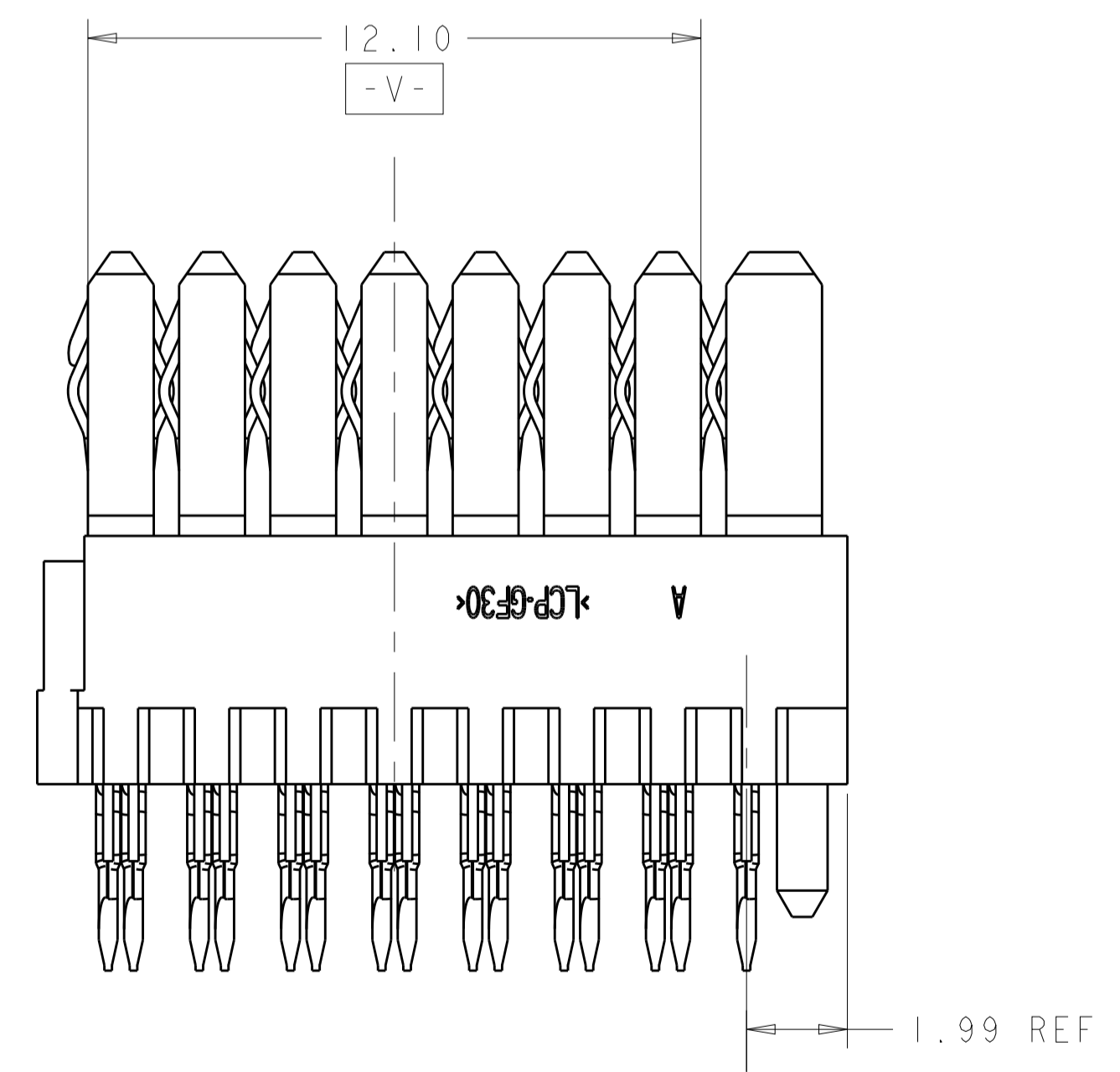
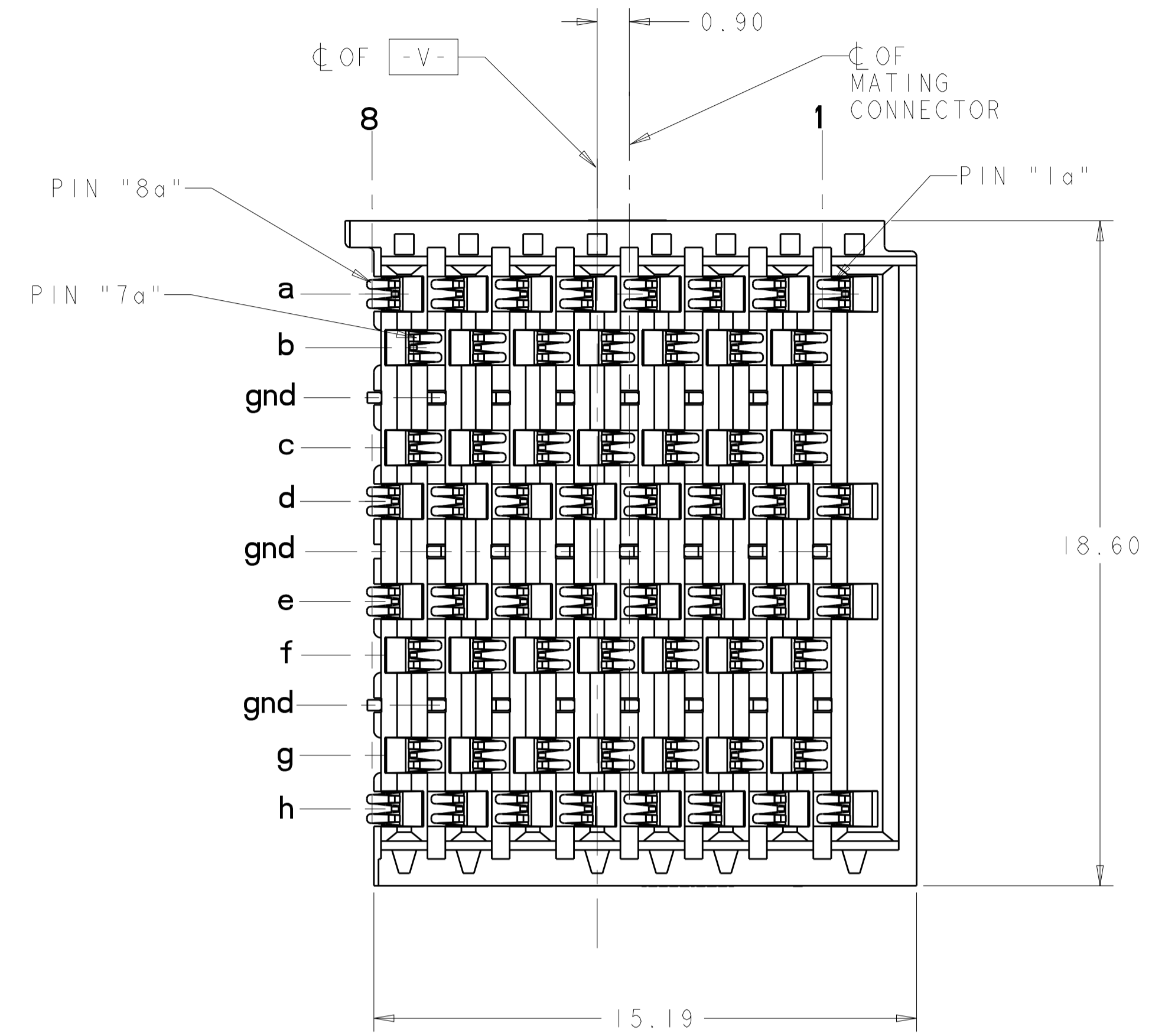
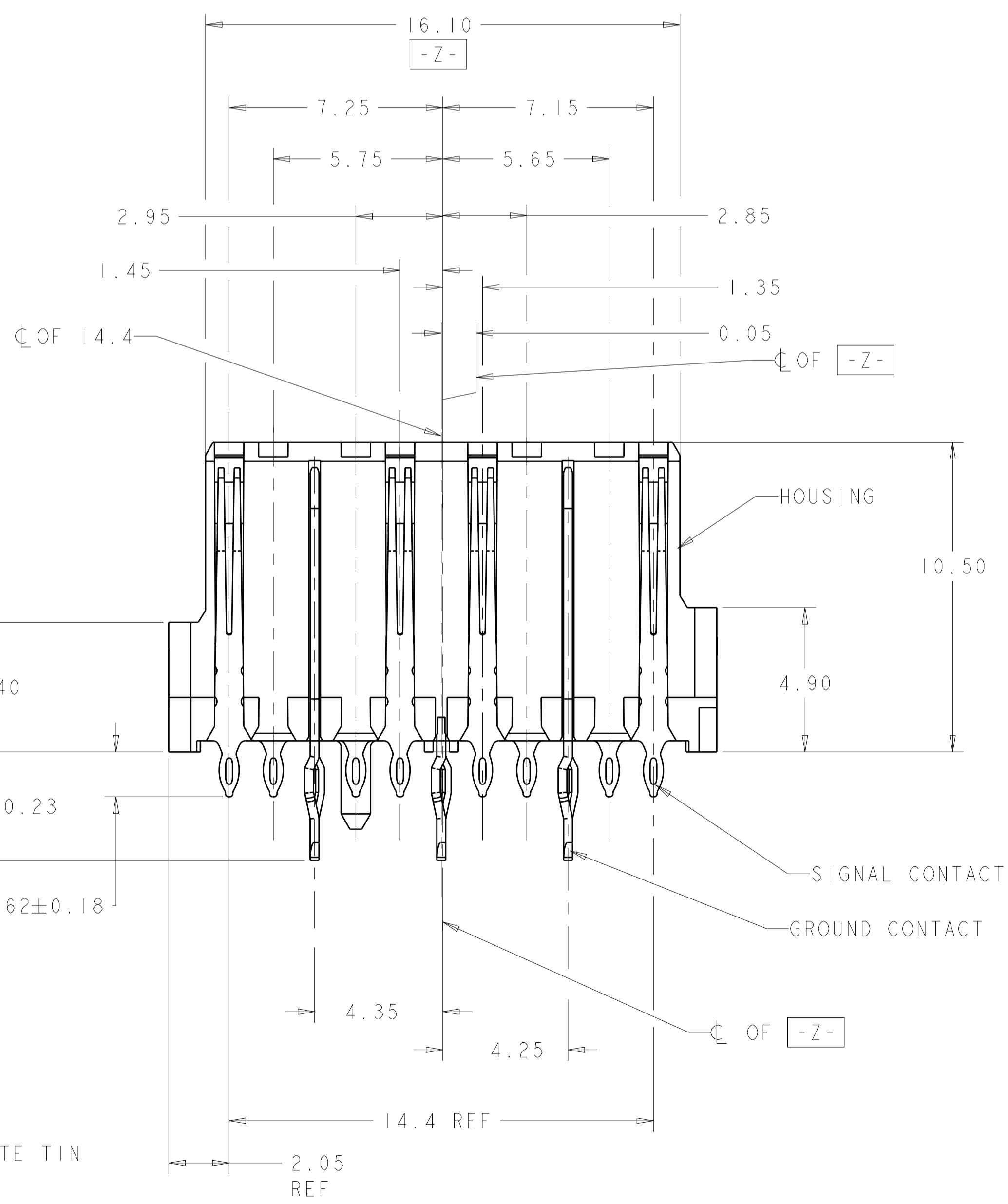


LOC		DIST		REVISIONS			
AD	00	P	LTN	DESCRIPTION	DATE	DWN	APVD
		D		REV PER ECO 14-012106	8-7-14	CT	DH



PC BOARD FOOTPRINT
VIEWED FROM CONNECTOR SIDE
SCALE 5:1



- ① HOUSING: LCP, UL94V-0, BLACK. CONTACT: PHOSPHOR BRONZE.
- ② 1.27 μm GOLD PER ASTM B 488 IN CONTACT AREA, 1.27 μm MIN TIN-LEAD ON PCB TAIL, OVER 1.27 μm MIN NICKEL PER SAE AMS-QQ-N-290 OVER ALL.
- ③ PLATE THROUGH HOLES PER TE SPEC. 114-13056, FIGURE 4.
- ④ 1.27 μm GOLD PER ASTM B 488 IN CONTACT AREA, 1.27 μm MIN MATTE TIN PER ASTM B 545 ON PCB TAIL, OVER 3.81 μm MIN NICKEL PER SAE AMS-QQ-N-290 OVER ALL.

④	1410226-2
②	1410226-1
CONTACT TAIL/HOLE FINISH	PART NO

THIS DRAWING IS A CONTROLLED DOCUMENT.		DWN: B. VAN SCOY	01OCT2001	TE Connectivity NAME: VERTICAL RECEPTACLE ASSEMBLY, LEFT END, HALF, 20.3 mm, TIER-1, BACKPLANE CONNECTOR SIZE: CAGE CODE DRAWING NO. RESTRICTED TO A100779C=1410226 SCALE: 8:1 SHEET 1 OF 1 REV D
DIMENSIONS: mm		CHK: N. REESER	01OCT2001	
TOLERANCES UNLESS OTHERWISE SPECIFIED:		APVD: D. DEBRAUGH	01OCT2001	
0 PLC ± 1 PLC ±0.5 2 PLC ±0.13 3 PLC ± 4 PLC ± ANGLES ±1°		PRODUCT SPEC: 108-2072	APPLICATION SPEC: 114-13056	
MATERIAL: ①		WEIGHT: ②		CUSTOMER DRAWING