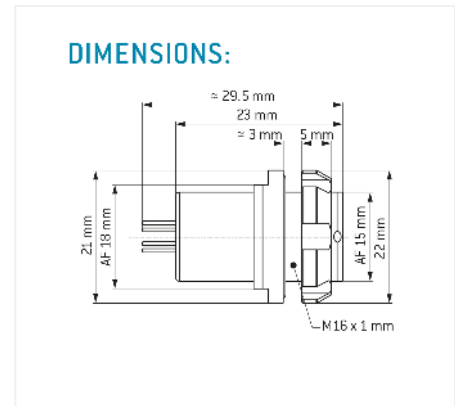
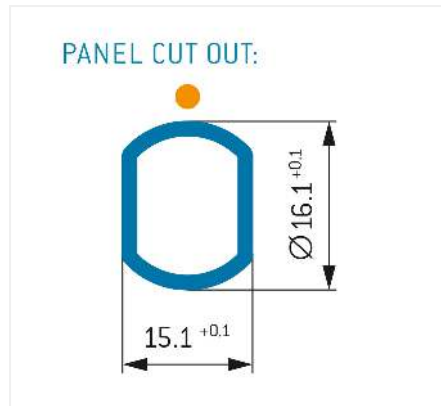
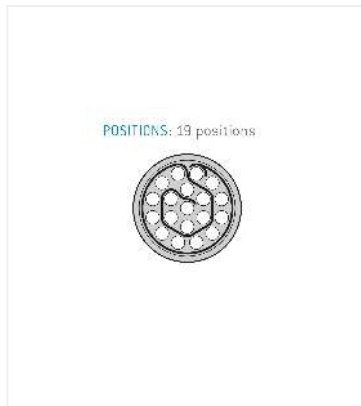


G82BFC-P19QF00-0000
series_b, type_g8



General information

Part number	G82BFC-P19QF00-0000
Termination	pcb
Size	2
Locking principle	break , push
Coding	f_key



Contact insert description

Number of contacts	19
Contact type	sockets
Contact diameter	07mm
Insulator material	peek
Termination	pcb
Termination diameter	05mm

reverse_gender_on_request

Technical information

Max. creepage and air clearance distance	07_mm	12_mm
Nominal current single contact	06_a	iec_60512_5_2
Nominal current insert	2,7 A	vde_0298_4
Test voltage	1_kv_ac	sae_13441

safety_text

Mechanical and environmental data

Degree of protection*	ip68
Operating temperature	40_120_c
Mating cycles	5000

mated_unmated

Material and surface treatments

Housing	m_chrome
Contact	cu_alloy_gold

safety_text_2
ul_text
illustrative_text