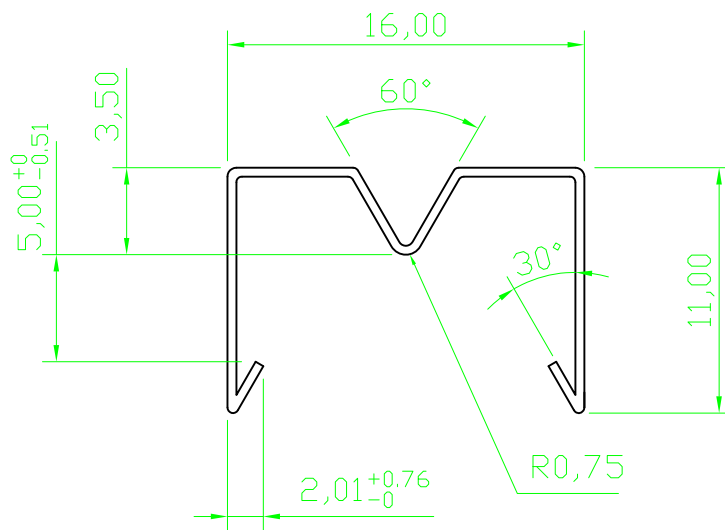
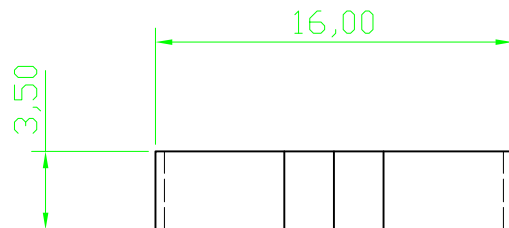


RoHS compliant



Material :SUS #301 0.4T
 Finished: Clean
 1000PCS=1BAG

Scale	1:1					Date	Name	Customer-No.		
TOLERANCE						Drawn	11.08.2009	Dean	ASSMANN WSW-No. V24HK	
UNIT	±0.25					Approved	10.03.2010	Andy		
DIM	TOL	②	Modify drawing layout	10.03.2010	Alex			Drawing-No.		
X.°	±X°	①	Drawn	11.08.2009	Dean			ASS 0886 HS		rev02
X.X°	±X°	Id.	Modification	Date	Name			Replace	Sheet	
Angle	TOL									

