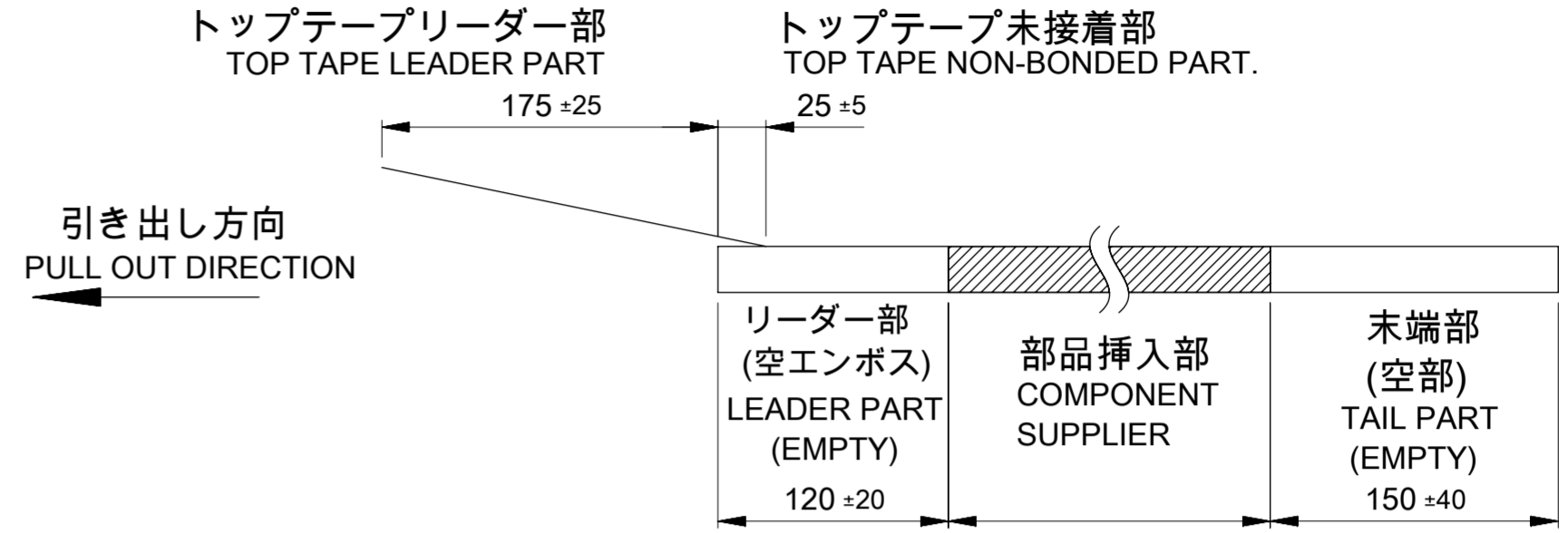


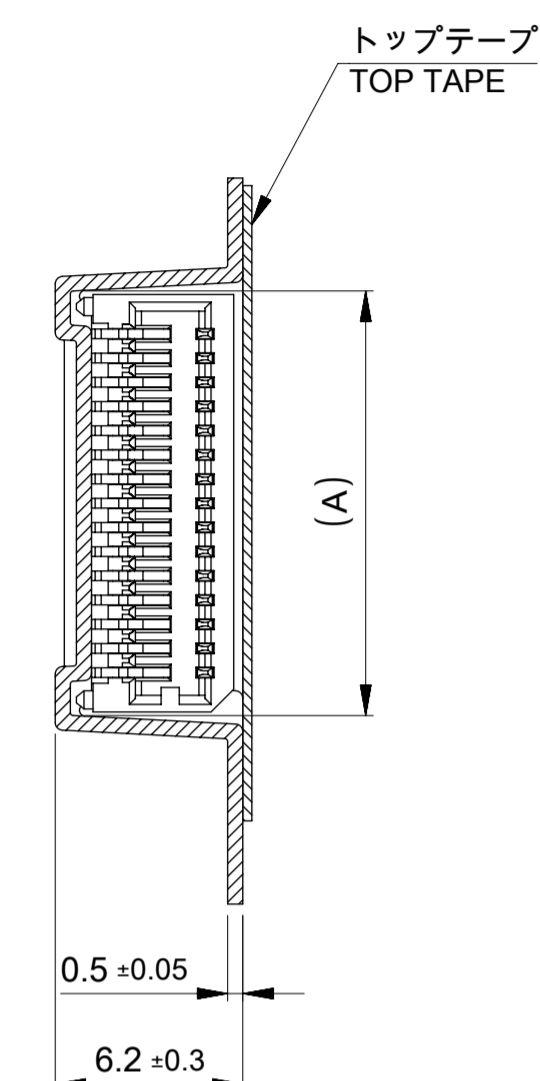
注記 NOTES

- 梱包数量 : 1000個/リール NUMBER OF CONNECTORS : 1000PCS/REEL
- リードテープ長さ LEAD TAPE LENGTH

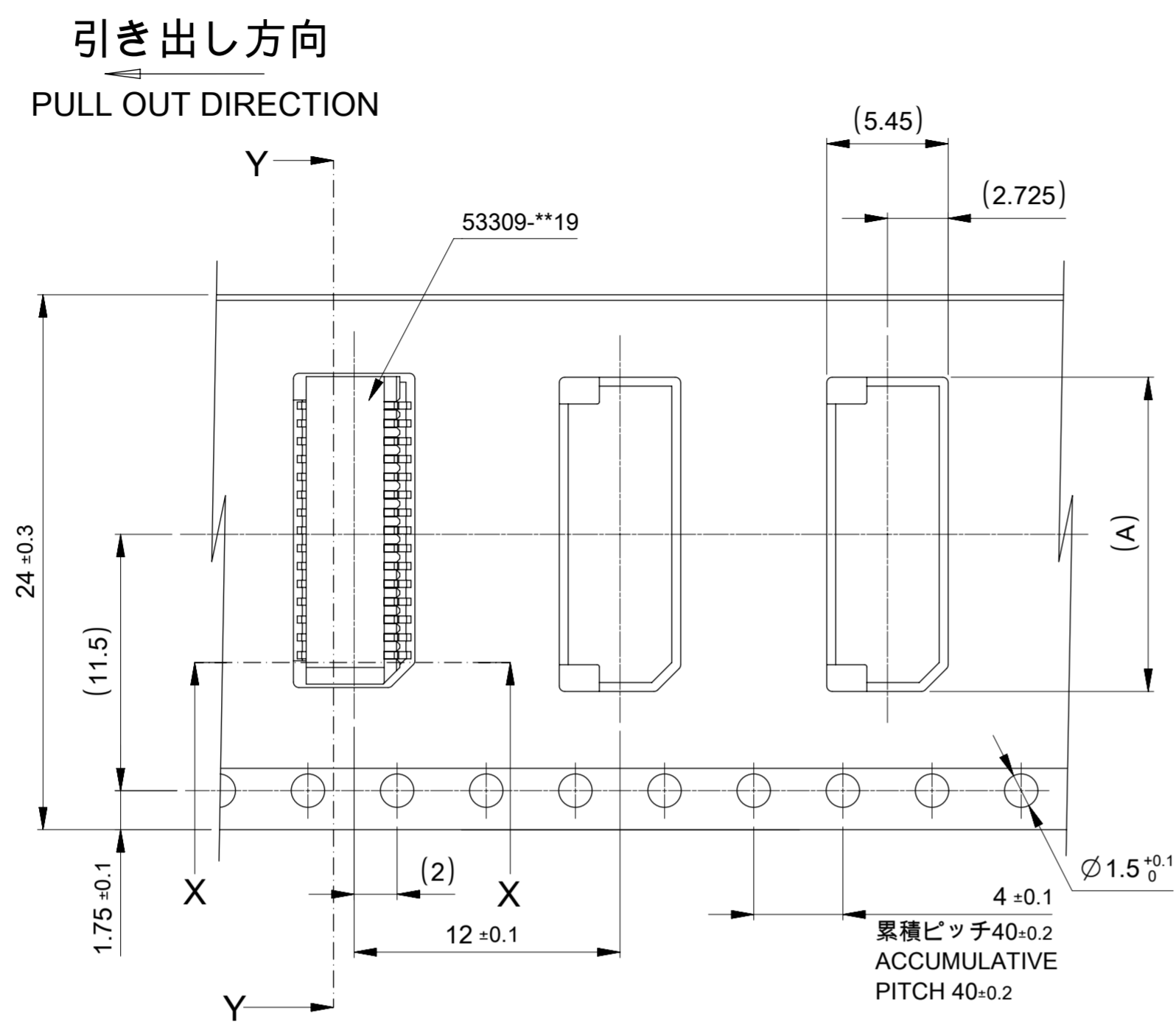


- トップテープの剥離強度についてはIEC60286-3に準拠。
TOP TAPE PEEL FORCE IS DEFINED BY IEC60286-3.
- 材料 キャリアテープ : ポリプロピレン (PP)
トップテープ : PET, PE, PEF
リール : ポリスチレン (PS) <リサイクル材を含む>
MATERIAL
CARRIER TAPE : POLYPROPYLENE
TOP TAPE : PET, PE, PEF
REEL : POLYSTYRENE (PS) < CONTAINED RECYCLE MATERIAL >
- 本製品は53309-**90の鉛フリー品である。
THIS PRODUCT IS LEAD FREE OF 53309-**90.

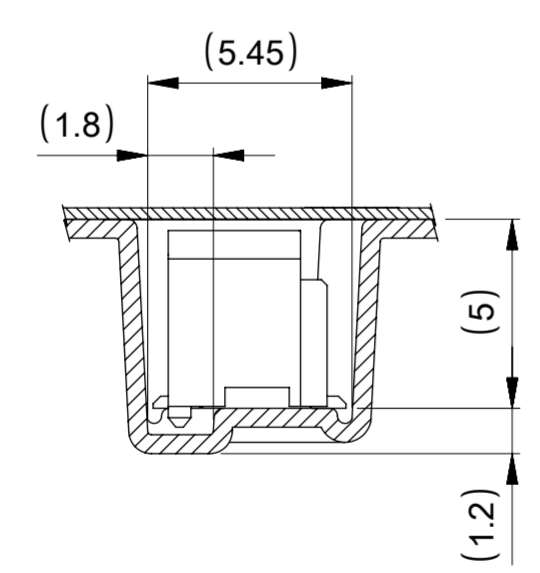
THIS DRAWING CONTAINS INFORMATION THAT IS PROPRIETARY TO MOLEX ELECTRONIC TECHNOLOGIES, LLC AND SHOULD NOT BE USED WITHOUT WRITTEN PERMISSION									
DIMENSION UNITS mm		SCALE NTS		CURRENT REV DESC:				molex	
GENERAL TOLERANCES (UNLESS SPECIFIED)		ANGULAR TOL ± °		EC NO: 653700					
4 PLACES ±		3 PLACES ±		DRWN: AHMADI2		2021/02/03		0.8 MM PITCH B-TO-B CONN. PLUG (WITH BOSS) EMBOSS TAPE PACKAGE	
3 PLACES ±		2 PLACES ±		CHK'D: HSHIMOYAMA		2021/02/26		PRODUCT CUSTOMER DRAWING	
2 PLACES ±		1 PLACE ±		APPR: SHOSHIKAWA		2021/02/26		DOCUMENT NUMBER	
1 PLACE ±		0 PLACES ±		INITIAL REVISION:		DRWN: YSATO06		2017/03/23	
DRAFT WHERE APPLICABLE MUST REMAIN WITHIN DIMENSIONS		THIRD ANGLE PROJECTION		DRAWING		SERIES		MATERIAL NUMBER	
				A2-SIZE		53309		SEE CHART	
CUSTOMER		GENERAL		SHEET NUMBER		1 OF 2			



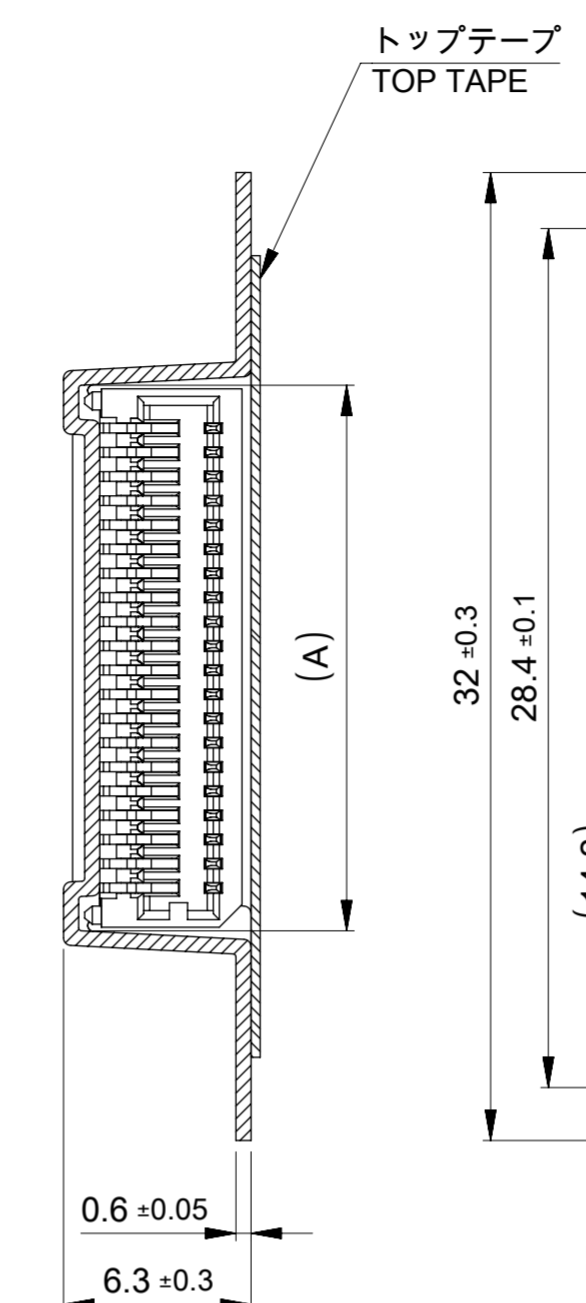
SECTION : Y-Y



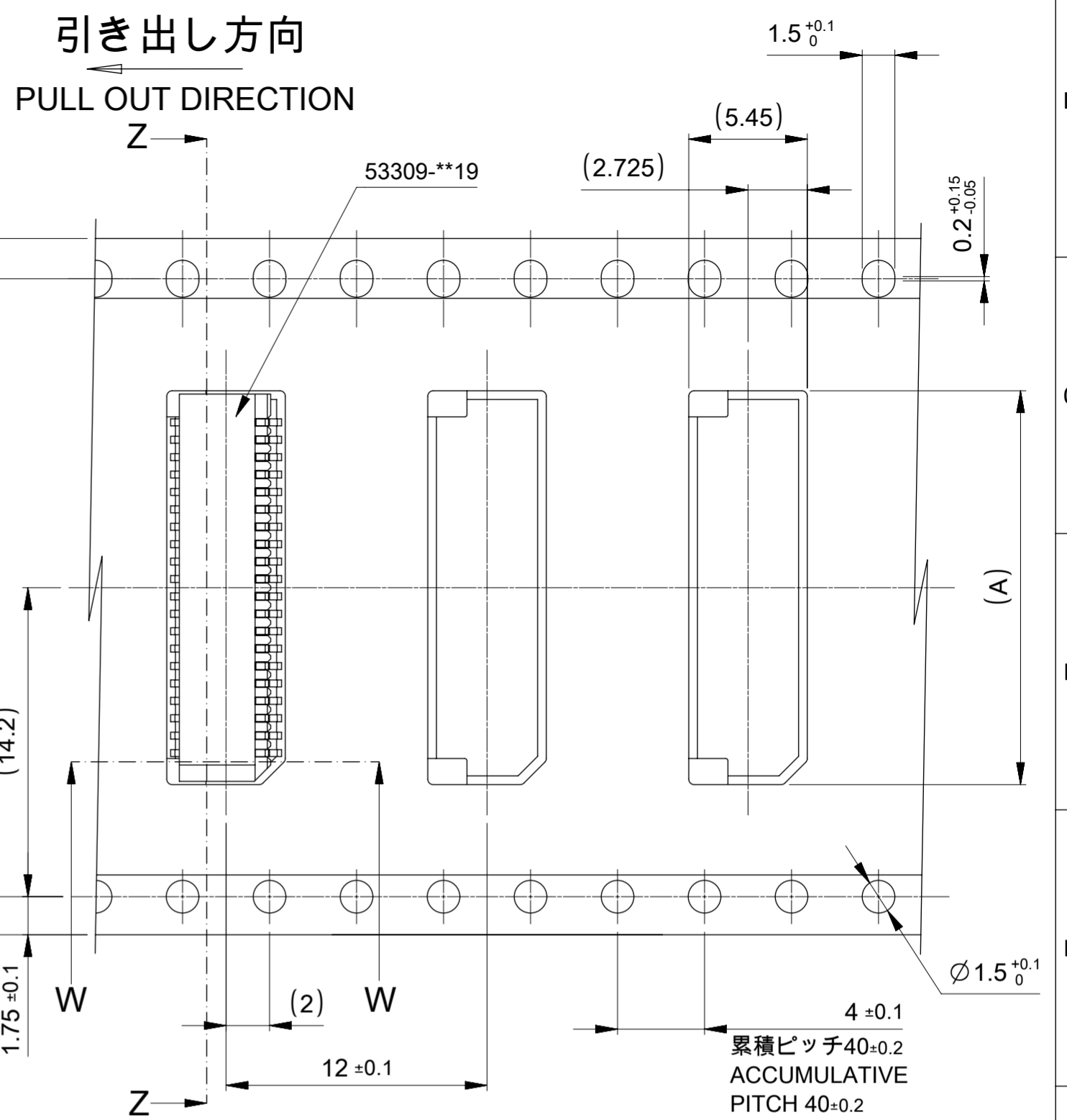
24mm幅キャリアテープ
24mm WIDTH CARRIER TAPE



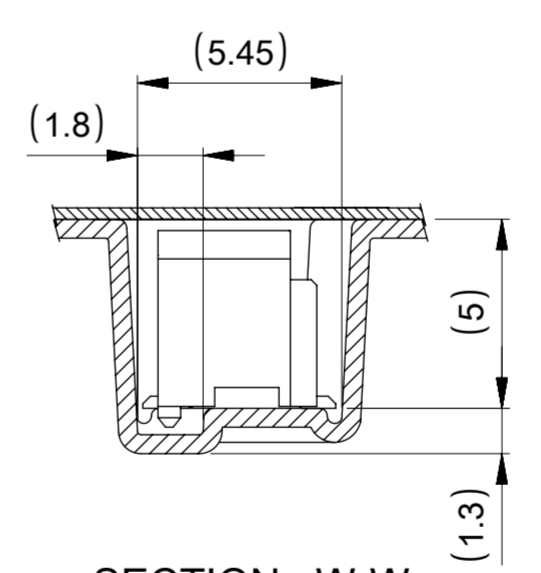
SECTION : X-X



SECTION : Z-Z



32mm幅キャリアテープ
32mm WIDTH CARRIER TAPE

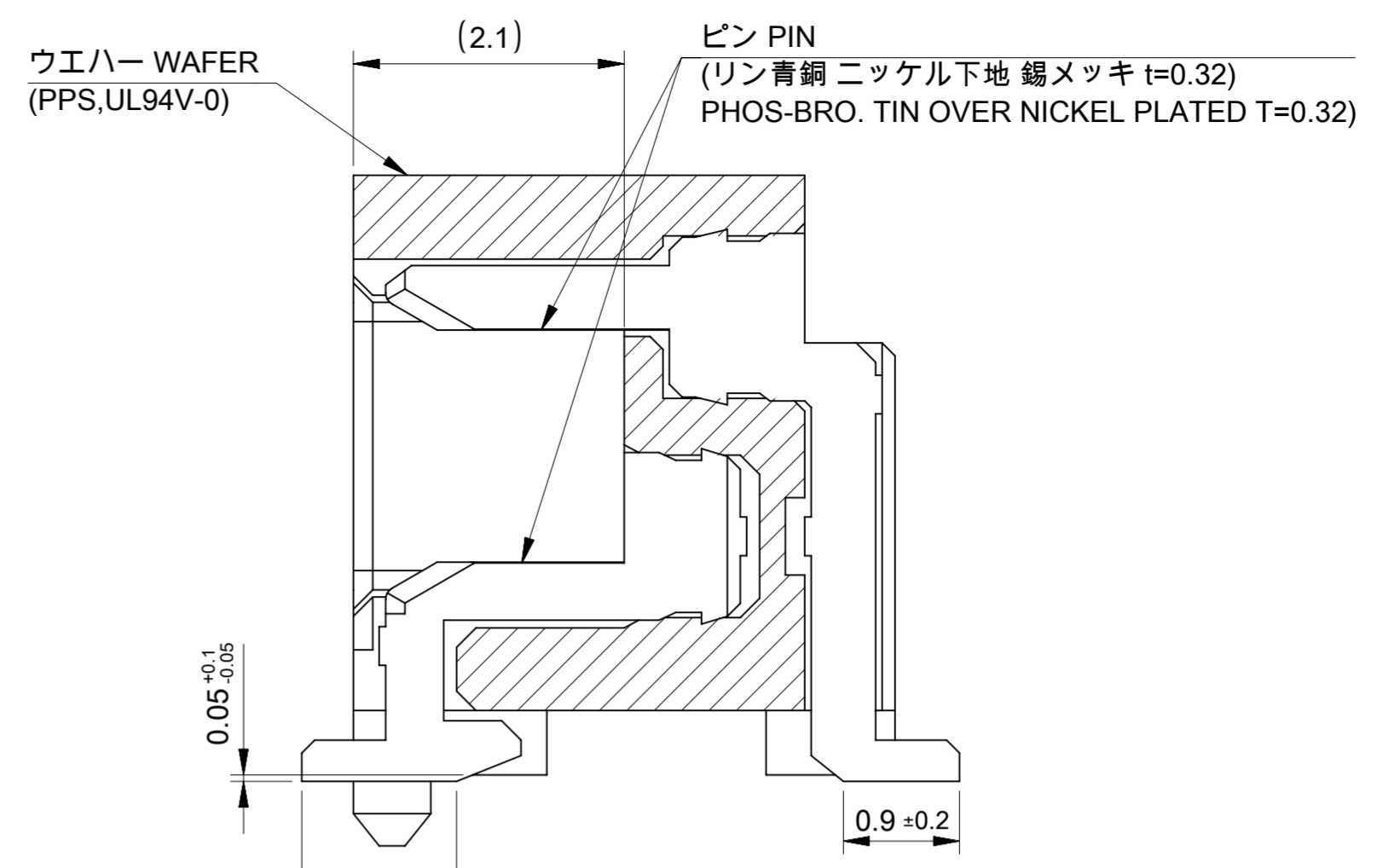
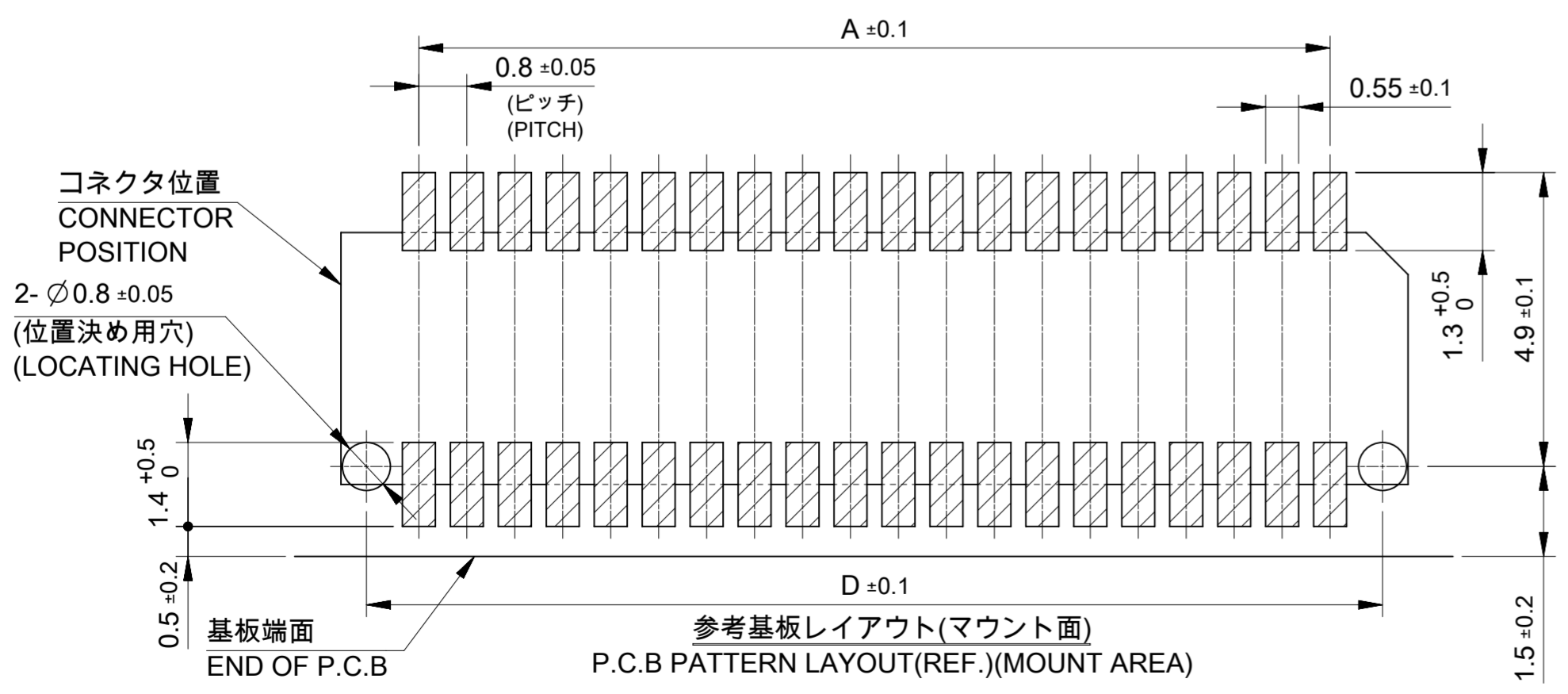
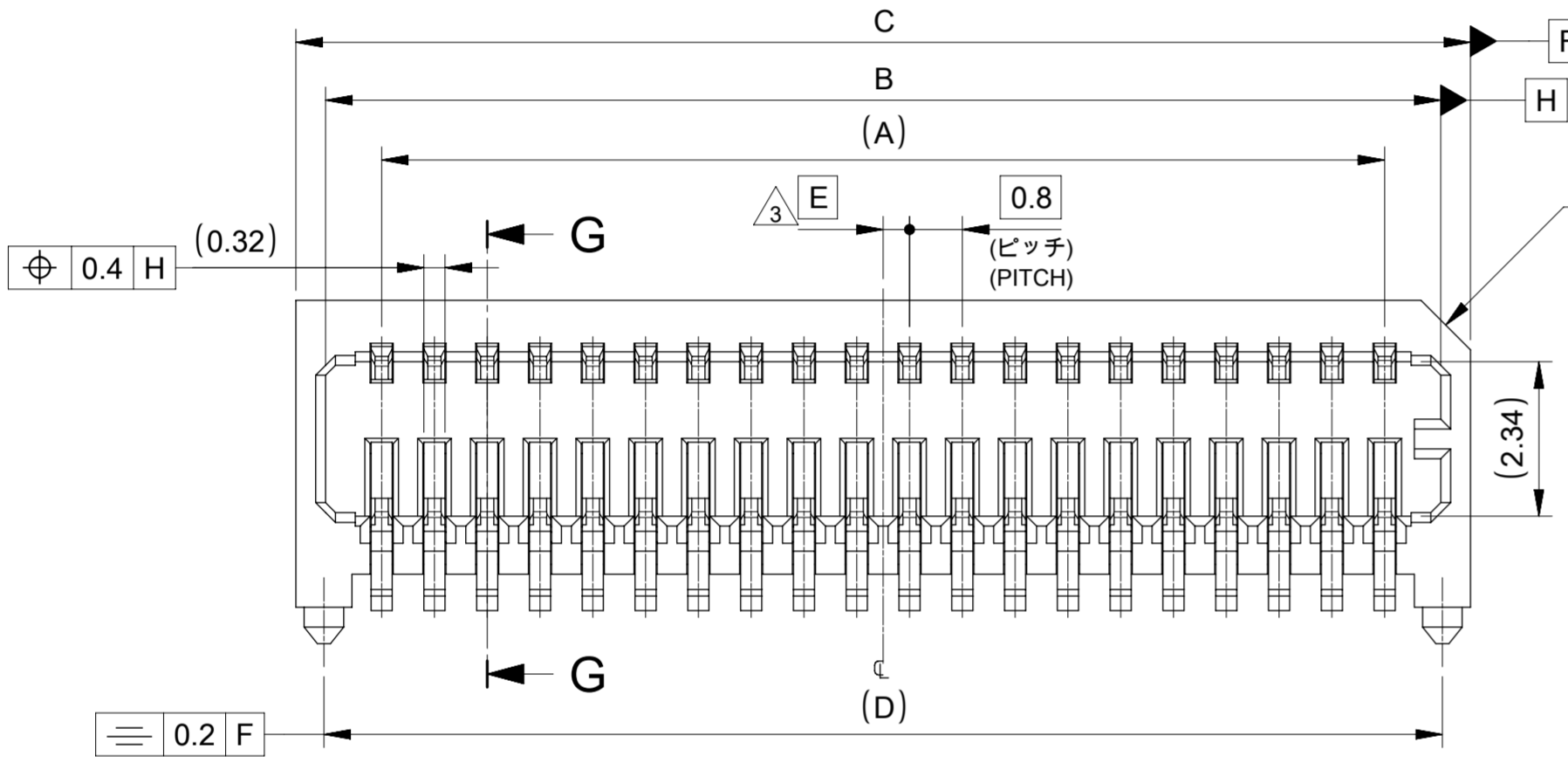
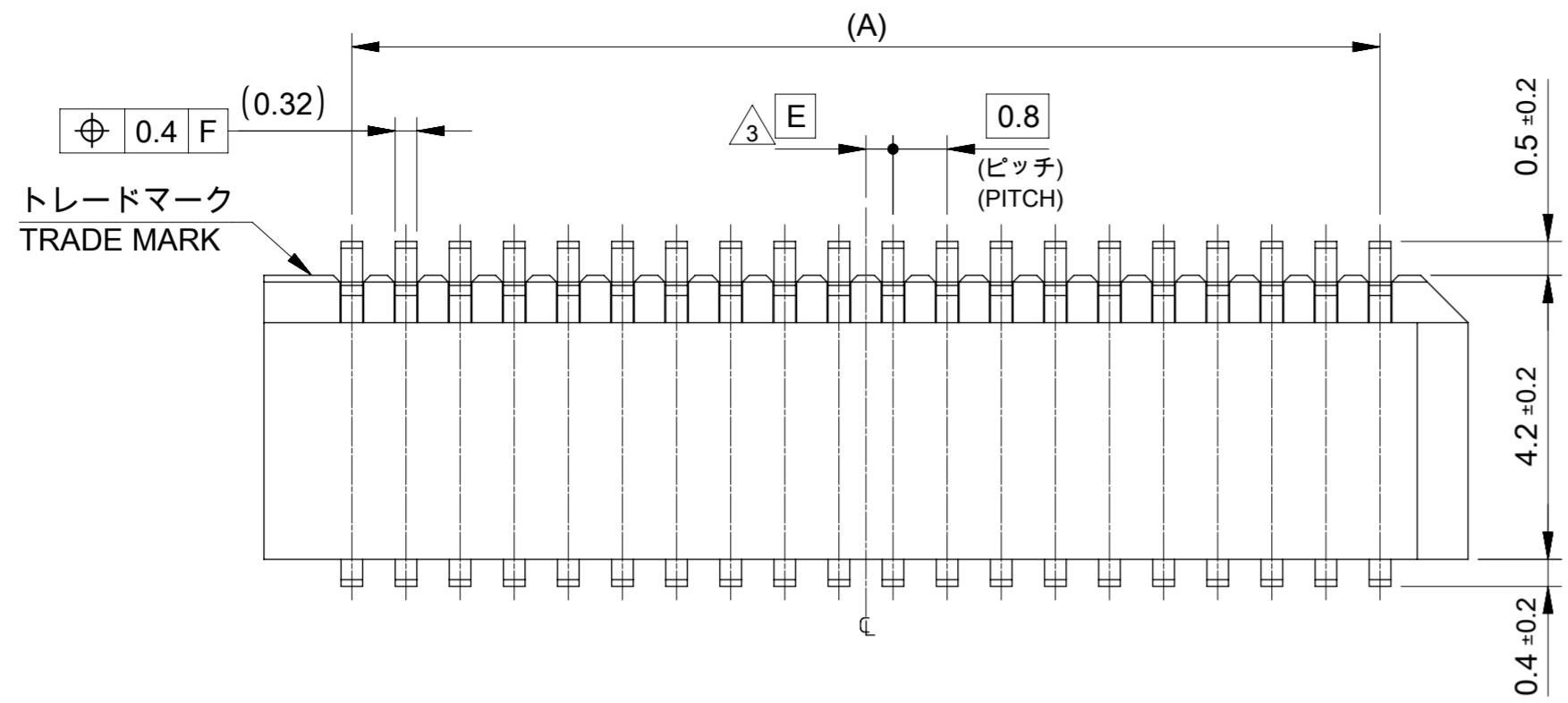


SECTION : W-W

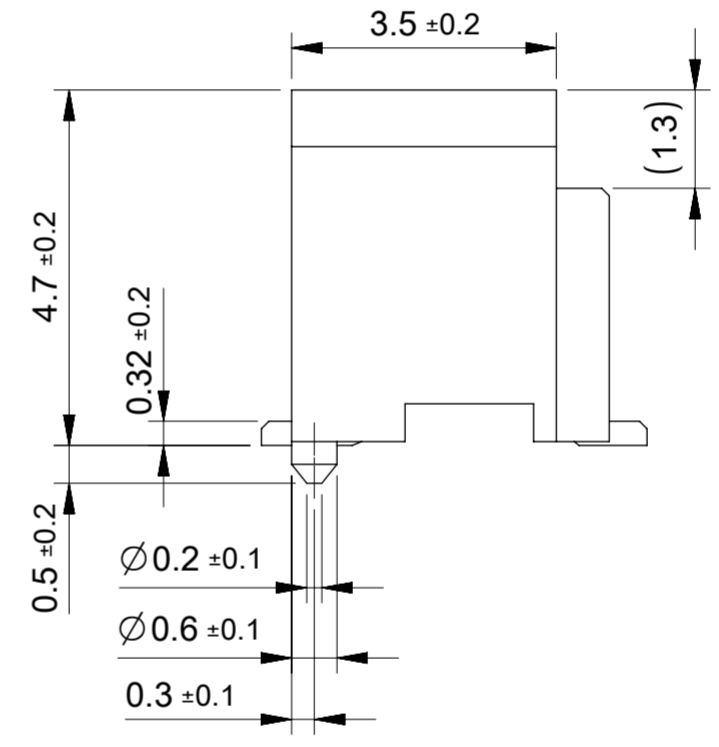
32	37.4	33.4	18.1	53309-4071	40
24	29.4	25.4	14.1	53309-3071	30
			13.3	53309-2871	28
			12.5	53309-2671	26
			11.7	53309-2471	24
			10.1	53309-2071	20
キャリアテープ幅 CARRIER TAPE WIDTH	C	B	(A)	EMBOSSED TAPE PACKAGE ORDER NO	極数 CIRCUIT

THIS DRAWING CONTAINS INFORMATION THAT IS PROPRIETARY TO MOLEX ELECTRONIC TECHNOLOGIES, LLC AND SHOULD NOT BE USED WITHOUT WRITTEN PERMISSION

DIMENSION UNITS	SCALE	CURRENT REV DESC:	molex		
mm	NTS				
GENERAL TOLERANCES (UNLESS SPECIFIED)			0.8 MM PITCH B-TO-B CONN. PLUG (WITH BOSS) EMBOSS TAPE PACKAGE		
ANGULAR TOL	±				
4 PLACES	±	EC NO: 653700	PRODUCT CUSTOMER DRAWING		
3 PLACES	±	DRWN: AHMADI2 2021/02/03			
2 PLACES	±	CHK'D: HSHIMOYAMA 2021/02/26	DOCUMENT NUMBER		
1 PLACE	±	APPR: SHOSHIKAWA 2021/02/26			
0 PLACES	±	INITIAL REVISION:	533090000		
		DRWN: YSATO06 2017/03/23			
		APPR: TKUSUHARA01 2017/03/27	DOC TYPE	DOC PART	REVISION
DRAFT WHERE APPLICABLE MUST REMAIN WITHIN DIMENSIONS	THIRD ANGLE PROJECTION	DRAWING	SERIES	MATERIAL NUMBER	CUSTOMER
		A2-SIZE	53309	SEE CHART	GENERAL
					SHEET NUMBER
					2 OF 2



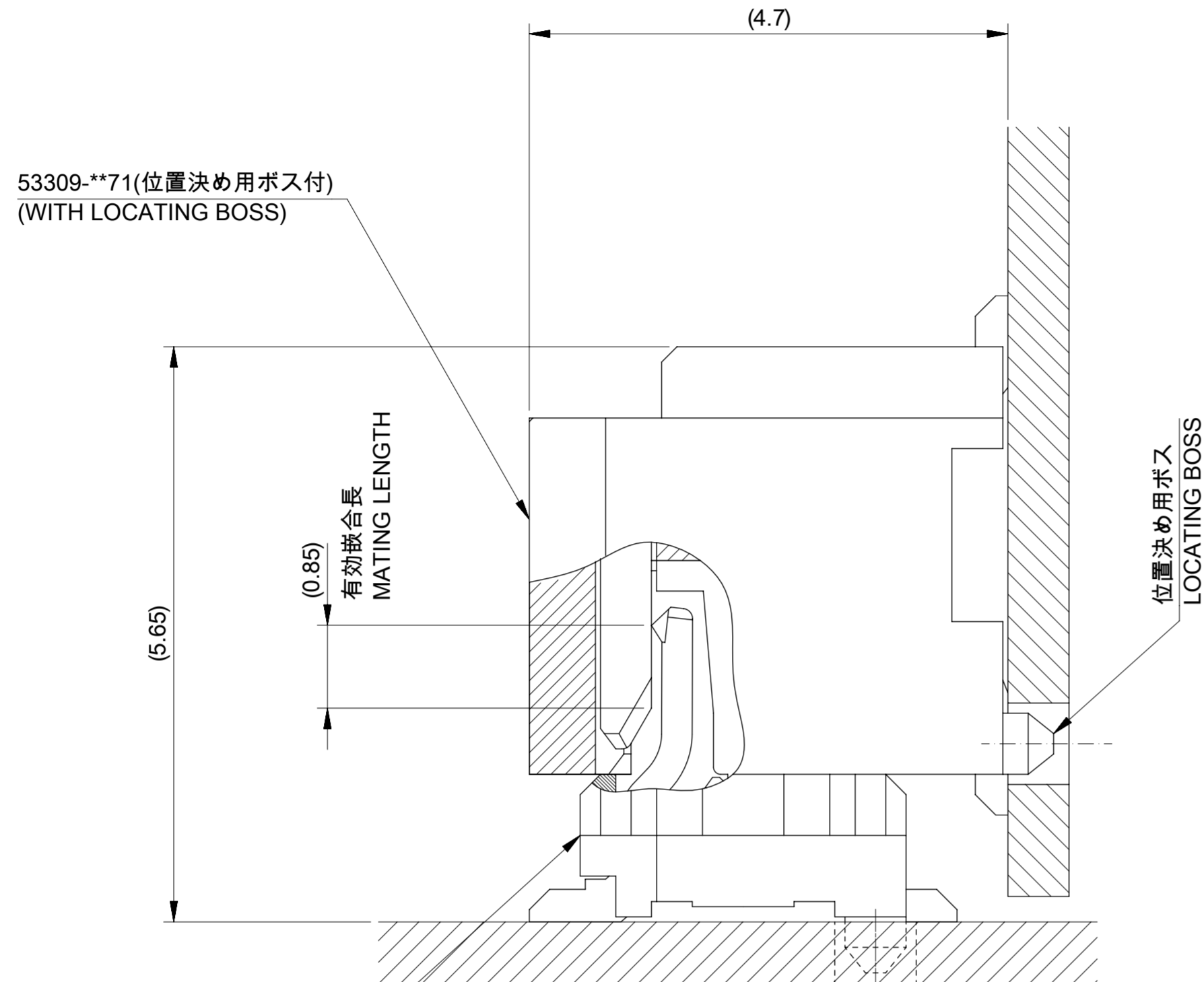
SECTION G-G
SCALE 20:1



0.4	17.0	17.8	16.9	15.2	53309-4071	40
0.8	13.0	13.8	12.9	11.2	53309-3071	30
0.4	12.2	13.0	12.1	10.4	53309-2871	28
0.8	11.4	12.2	11.3	9.6	53309-2671	26
0.4	10.6	11.4	10.5	8.8	53309-2471	24
0.4	9.0	9.8	8.9	7.2	53309-2071	20
E	D	C	B	A	EMBOSSED TAPE PACKAGE	極数
ORDER NO						CIRCUIT

THIS DRAWING CONTAINS INFORMATION THAT IS PROPRIETARY TO MOLEX ELECTRONIC TECHNOLOGIES, LLC AND SHOULD NOT BE USED WITHOUT WRITTEN PERMISSION

DIMENSION UNITS	SCALE	CURRENT REV	DESC:
mm	10:1		
GENERAL TOLERANCES (UNLESS SPECIFIED)			
ANGULAR TOL	±		
4 PLACES	±		
3 PLACES	±		
2 PLACES	±		
1 PLACE	±		
0 PLACES	±		
DRAFT WHERE APPLICABLE MUST REMAIN WITHIN DIMENSIONS		THIRD ANGLE PROJECTION	DRAWING SERIES
			A2-SIZE 53309
		MATERIAL NUMBER	CUSTOMER
		SEE CHART	GENERAL
		DOCUMENT NUMBER	DOC TYPE DOC PART REVISION
		533091000	PSD 001 C
		SHEET NUMBER	1 OF 2



嵌合相手 MATE WITH
 52465-**70 (BOSSあり WITH BOSS)
 52465-**71 (BOSS無し WITHOUT BOSS)

嵌合状態図(参考)
 MATED DRAWING (REF.)

NOTES :

1. 嵌合相手 : 52465シリーズ
 MATE WITH : 52465 SERIES.
- △2. ウェハーの ϕ から隣接するピンの ϕ 迄の位置を示す。
 SHOW POSSITION FROM ϕ OF WAFER TO ϕ OF ADJACENT PINS.
3. 本製品は53309-**17 の鉛フリー品である。
 THIS PRODUCT IS LEAD FREE OF 53309-**17.
4. B,C 寸法公差
 DIMENSION TOLERACES OF B,C.

DIMENSION	TOLERANCE
10 UNDER	± 0.2
10 OVER 30 UNDER	± 0.25
30 OVER	± 0.3

THIS DRAWING CONTAINS INFORMATION THAT IS PROPRIETARY TO MOLEX ELECTRONIC TECHNOLOGIES, LLC AND SHOULD NOT BE USED WITHOUT WRITTEN PERMISSION									
DIMENSION UNITS mm		SCALE 20:1		CURRENT REV DESC:				molex	
GENERAL TOLERANCES (UNLESS SPECIFIED)		ANGULAR TOL \pm °		EC NO: 656567					
4 PLACES \pm		3 PLACES \pm		DRWN: AHMADI2		2021/02/03		0.8 MM PITCH B-TO-B CONN. PLUG (WITH BOSS)	
2 PLACES \pm		1 PLACE \pm		CHK'D: HSHIMOYAMA		2021/02/26			
0 PLACES \pm		DRAFT WHERE APPLICABLE MUST REMAIN WITHIN DIMENSIONS		APPR: SHOSHIKAWA		2021/02/26		PRODUCT CUSTOMER DRAWING	
INITIAL REVISION:				DRWN: YSATO06		2017/03/23		DOCUMENT NUMBER	
APPR: TKUSUHARA01				2017/03/27		533091000		PSD 001 C	
THIRD ANGLE PROJECTION		DRAWING		SERIES		MATERIAL NUMBER		CUSTOMER	
		A2-SIZE		53309		SEE CHART		GENERAL	
SHEET NUMBER		2 OF 2							