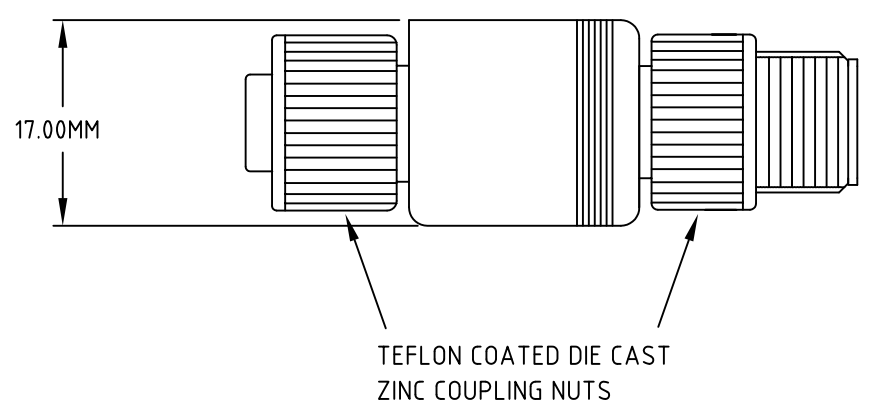
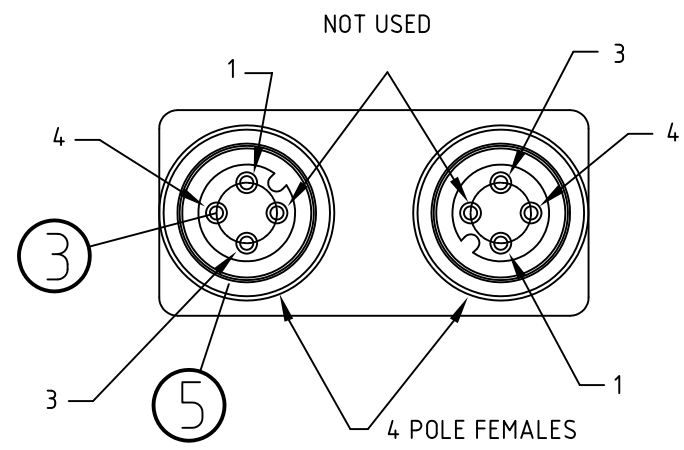
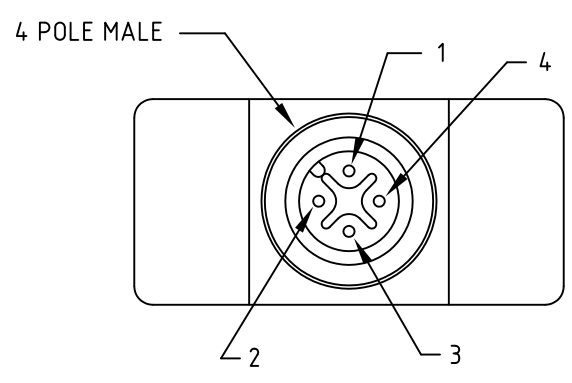


FRONT VIEW



FRONT VIEW



MATERIAL NUMBER	ENGINEERING NUMBER
1200685035	884AP0

ITEM	COMPONENT	MATERIAL	FINISH
5	O-RING	VITON	RED
4	COUPLER	BRASS	NICKEL PLATED
3	PIN CONTACT	COPPER ALLOY	GOLD OVER NICKEL
2	INSERT	PUR	BLACK
1	OVERMOLD	PVC	CLEAR-97SHR

DESCRIPTION EC NO: WEU2010-0382 DRWN: BBRAUCH CH'KD: NS APPR: NSTAUDIG	2010/02/19 2010/02/24	QUALITY SYMBOLS	GENERAL TOLERANCES (UNLESS SPECIFIED) <table border="1"> <tr><td>4 PLACES</td><td>±---</td><td>±---</td></tr> <tr><td>3 PLACES</td><td>±---</td><td>±---</td></tr> <tr><td>2 PLACES</td><td>±---</td><td>±---</td></tr> <tr><td>1 PLACE</td><td>±0.3</td><td>±---</td></tr> </table> ANGULAR ± --- °	4 PLACES	±---	±---	3 PLACES	±---	±---	2 PLACES	±---	±---	1 PLACE	±0.3	±---	DIMENSION STYLE	SCALE	DESIGN UNITS	THIRD ANGLE PROJECTION MMC-4P-3LED-MOULDED Y-SPLITTER MOLEX INCORPORATED SD-120068-037
		4 PLACES		±---	±---														
		3 PLACES		±---	±---														
		2 PLACES		±---	±---														
1 PLACE	±0.3	±---																	
▽ = 0 ∇ = 0	MM ONLY	2:1	METRIC																
DRAFT WHERE APPLICABLE MUST REMAIN WITHIN DIMENSIONS	DRAWN BY: BBRAUCH DATE: 2010/02/19 CHECKED BY: NS DATE: 2010/02/23 APPROVED BY: NSTAUDIG DATE: 2010/02/24	SEE TABLE	DOCUMENT NO.																
SIZE A3	THIS DRAWING CONTAINS INFORMATION THAT IS PROPRIETARY TO MOLEX INCORPORATED AND SHOULD NOT BE USED WITHOUT WRITTEN PERMISSION		SHEET NO. 1 OF 1																