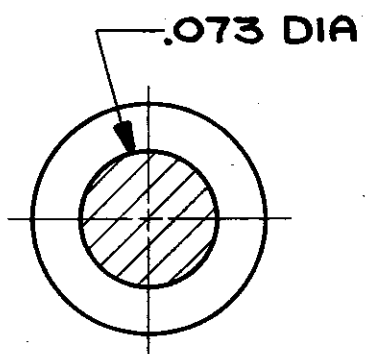
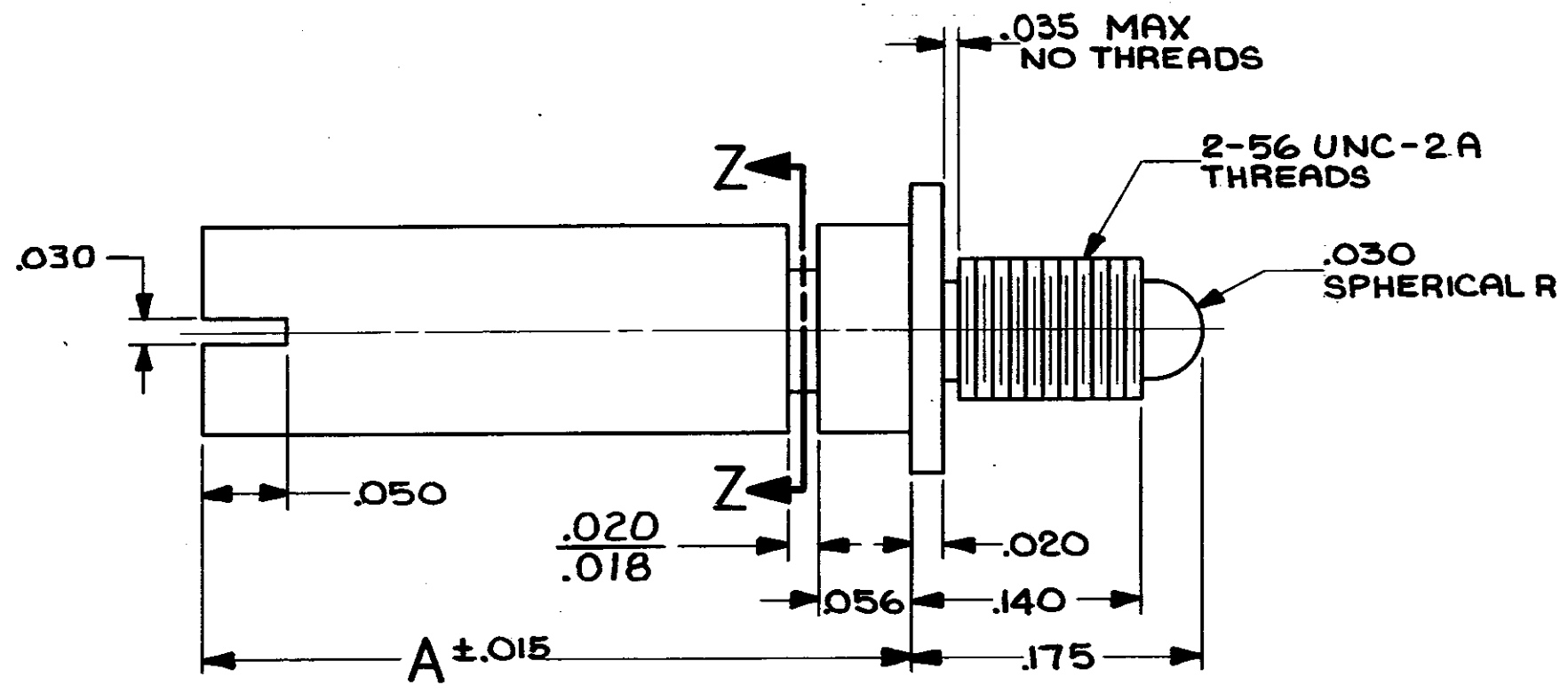
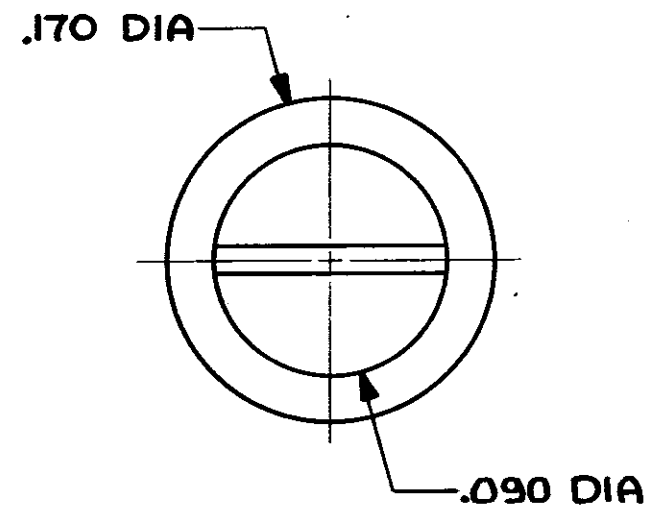


THIS DRAWING IS UNPUBLISHED. RELEASED FOR PUBLICATION . 19 .
 © COPYRIGHT 19 BY AMP INCORPORATED, HARRISBURG, PA. ALL INTERNATIONAL RIGHTS RESERVED. AMP PRODUCTS MAY BE COVERED BY U.S. AND FOREIGN PATENTS AND/OR PATENTS PENDING.

		REVISIONS				
P	F	ZONE	LTR	DESCRIPTION	DATE	APPROVED
✓	✓		A	REVISED 7750 DYC	1-82	WAP
✓	✓		B	REVISED PER ECN AB-1065	db 8-19-85	JPB
✓	✓		B1	ECN AB-2228 ZP	3-87	RPJ



SECTION Z-Z

.225	531960-4
.425	531960-2
A	PART NO

UNLESS OTHERWISE SPECIFIED DIMENSIONS ARE IN INCHES. TOLERANCES ON: DECIMALS ± .010 ANGLES ± .010	CONTRACT NO	AMP AMP INCORPORATED Harrisburg, Pa.			
	DR. <i>A.M. SHARPE</i> 7-28-81				
	CHK <i>Parsons 7/28/81</i>	NAME	JACKSCREW, MINI-BOX MALE		
	APPD <i>Parsons 7/28/81</i>	APPD <i>E Parsons 7/28/81</i>	SIZE	FSCM NO	DRAWING NO
MATERIAL	DSGN APPD	B	00779	531960	
STAINLESS STEEL	OTHER APPD	SCALE 10:1	SHEET 1 of 1		
FINISH					
PASSIVATED					