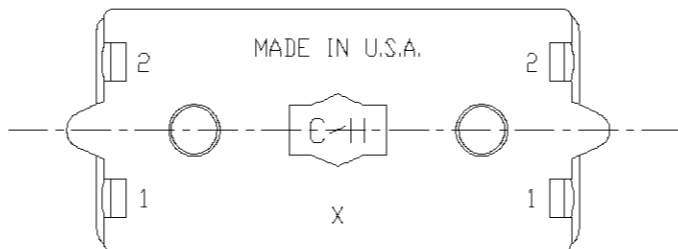
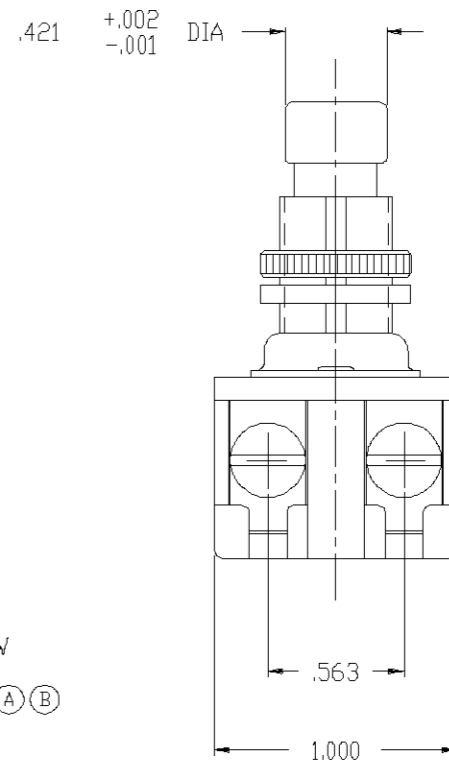
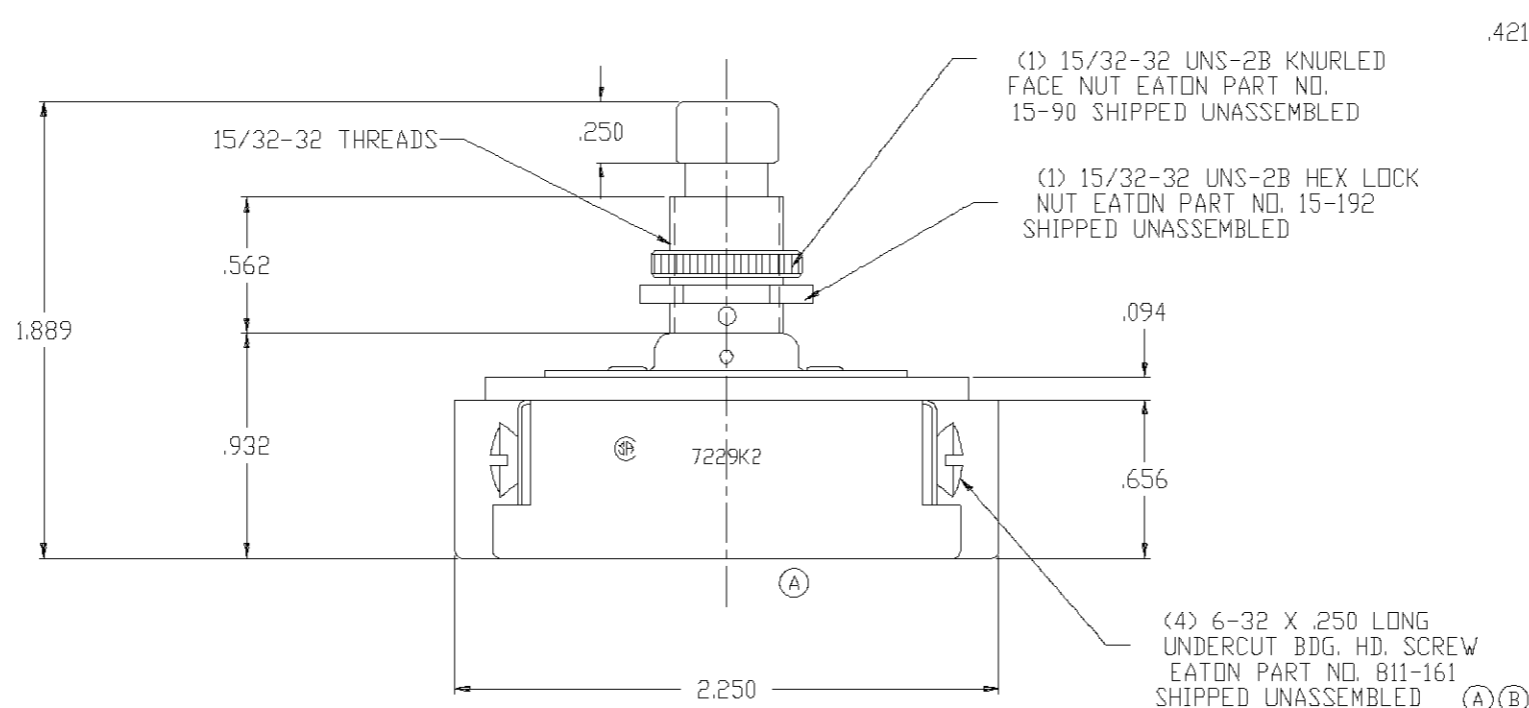
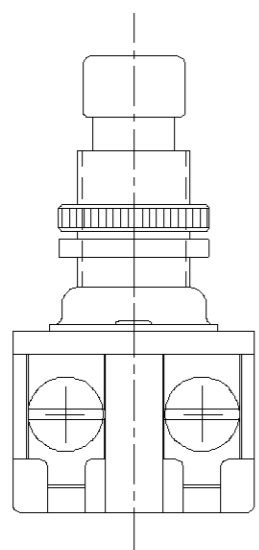


NOTE:
1. UNLESS OTHERWISE SPECIFIED ALL TOLERANCES TO BE ±.016.



ORDER NO. 93719950

A	STAMPING: 7229K2 WAS NORM OPEN 7229K2; NOTE: (4) 6-32 ... SHIPPED UNASSEMBLED WAS (4) 6-32 ... SHIPPED ASSEMBLED.	JF	WL	MRD	3/5/93	D				
		93719950								
B	NOTE: (4) 6-32 X .250 LONG ... 811-161 SHIPPED UNASSEMBLED WAS (4) 6-32 X .250 LONG ... 811-14 SHIPPED UNASSEMBLED.	JF	WL	NS	3/12/93	E				
		93719950								
C	REMOVED "ON" FROM TOP VIEW.	JF			4/27/94	F				
		93719950								

THIRD ANGLE PROJECTION



TITLE: D.P.D.T.PUSH BUTTON SWITCH			
DR.	W. LEONARD	6/1/92	SURFACE COATING
CHK.	WESTEMEIER	6/1/92	SCALE
APP.	MERLIN R. DUMMER	6/1/92	DO NOT SCALE DRAWING
		FIRST ASSEM. WHERE LISTED 7229K2	
		SUP'S ARROW HART 81951	
		SUP'D BY	