

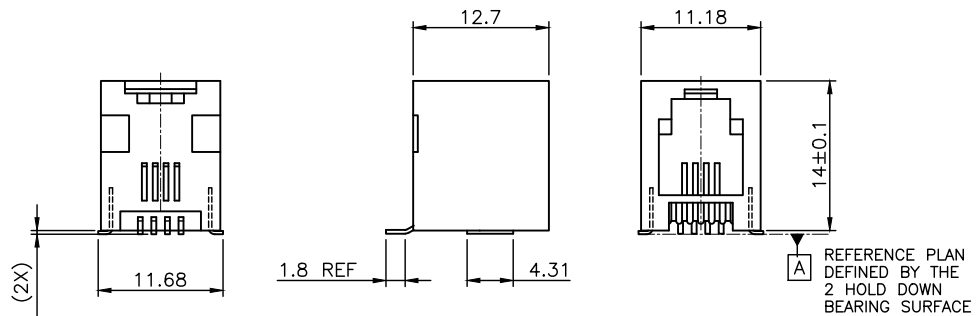
PRODUCT NUMBER  
73306-XXXLF

PLATING OPTION
1= GXT 0.76 $\mu$ m
3= GOLD 0.76 $\mu$ m
5= GOLD 1.27 $\mu$ m

PACKAGE OPTION
1= TAPE ON REEL
2= TUBE
3= TAPE ON REEL IN PLASTIC BAG
4= DEDICATED TAPE ON REEL

TERMINAL LOADING
1= FULLY LOADED

WHEN NEEDED, SUFFIX LETTER "LF"  
INDICATES THE PRODUCT IS RoHS  
COMPATIBLE, SEE NOTE 4.

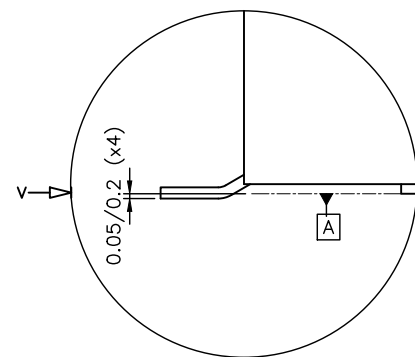


NOTES:

- 1- MATERIAL: HOUSING: HIGH TEMP. PCT, COLOUR BLACK.  
TERMINAL: PHOSPHOR BRONZE.
- 2 - PLATING: CONTACT AREA: SEE TABLE.  
SOLDER TAIL : 90/10 SnPb 2 $\mu$ m MIN.  
WHEN SUFFIX "LF" IS REQUIRED, 2 $\mu$ m MIN MATTE  
TIN OVER 1.27 MIN Ni IS SUPPLIED INSTEAD OF SnPb.  
NO RAW EDGES EXCEPT SOLDER TAIL TIPS
- 3 - SOLDER TAILS COPLANARITY : 0.1 mm
- 4 - RoHS COMPATIBLE PRODUCT SPECIFICATIONS
  - a - PLATING:
    - "LF" MEANS THE PRODUCT IS LEAD-FREE,  
2 $\mu$ m MINIMUM MATTE TIN OVER 1.27 $\mu$ m  
MINIMUM NICKEL UNDERPLATE.
  - b - MANUFACTURING PROCESS COMPATIBILITY
    - THE HOUSING WILL WITHSTAND EXPOSURE TO  
245°C PEAK TEMPERATURE FOR 30 SECONDS  
MAX IN A CONVECTION, INFRA-RED OR VAPOR  
PHASE OR REFLOW OVEN.
  - c - LABELING:
    - MEETS PACKAGING SPECS AS PER GS-14-920
  - d - LEGAL STATEMENT: SEE GS-47-0004
- 5 - PACKAGING FOR OPTION 3 : EACH REEL IS WRAPPED INTO A PLASTIC BAG  
TO PROTECT FROM MOISTURE DURING STACKING TIME.

VIEW ACCORDING "V"

SEE NOTE 3

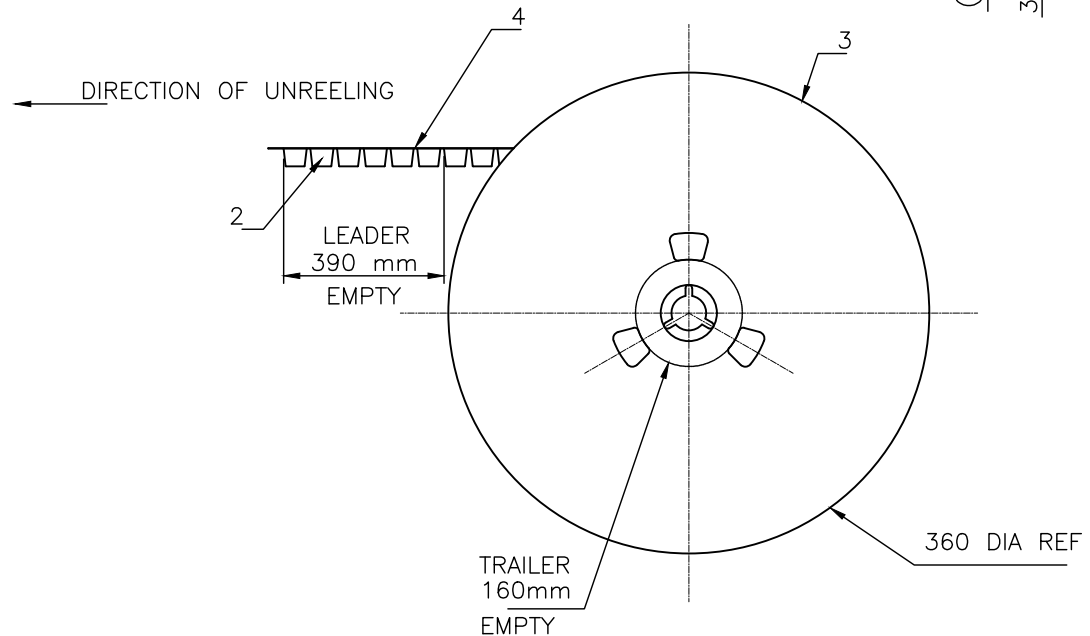
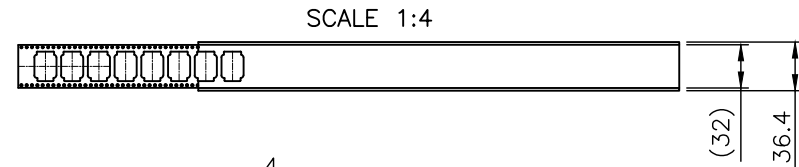
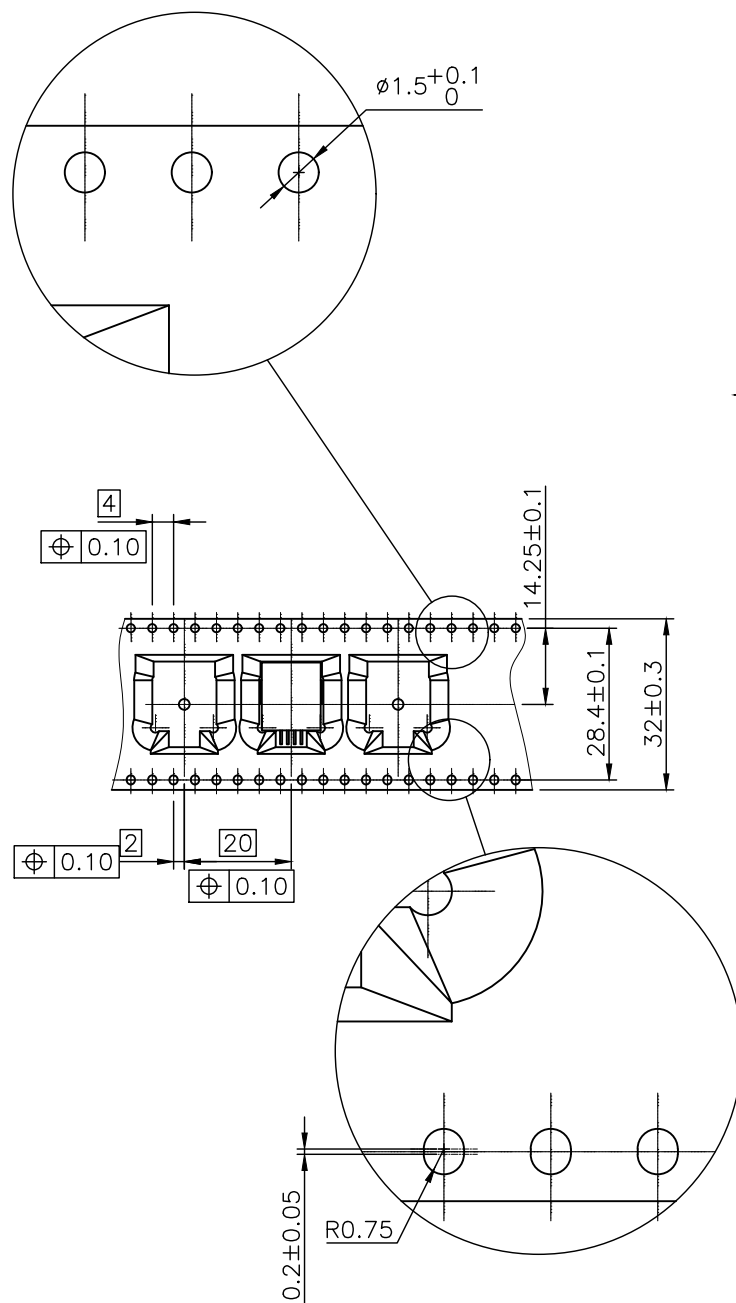


CUSTOMER COPY FOR REFERENCE ONLY

mat'l. code		surface ISO 1302 <input checked="" type="checkbox"/> ISO 406 ISO 1101		tolerance ISO 406 ISO 1101		projection 		product family MOD JACK	
ltr		ecn no		dr		date		title	
H		F05-0247		DLE		05.09.12		SMT RA JACK	
J		F06-0240		DLE		06.07.18		4 POS NARROW OUTSIDE	
K		F09-0070		LSA		09.07.23		dwg no	
L		B-15798		JFA		13.09.09		sheet 1 of 3	
M		F-21888		AMA		15.09.09		size	
N		F-36035		DDE		20.02.12		73306	
P		F-45274		DDE		22.07.05		A3	
sheet		revision		P		F		type	
index		sheet		1		2		CUSTOMER Drawing	

PRODUCT NUMBER  
SEE SHEET 1

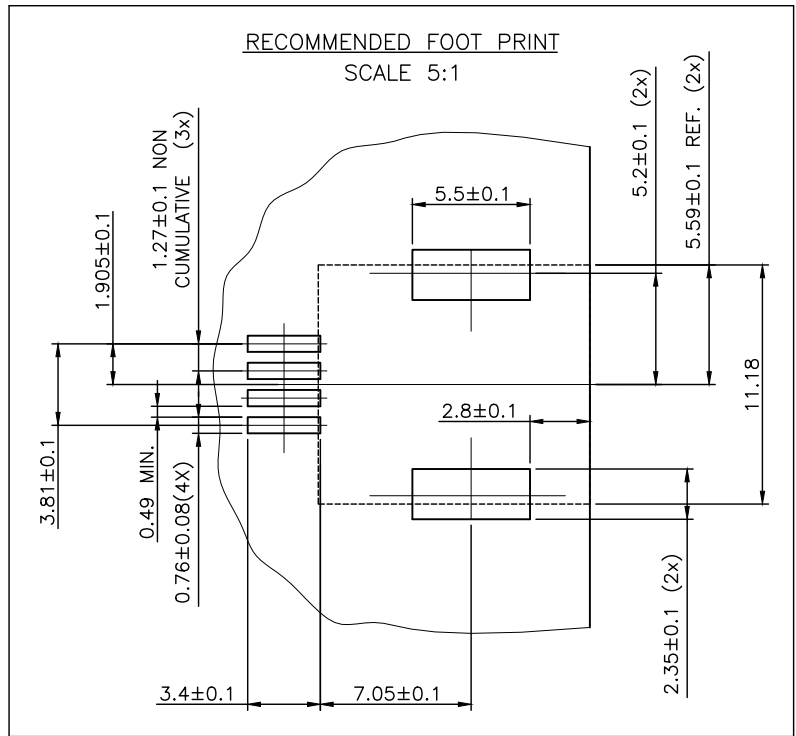
LTR	PART NAME	QTY
1	PRODUCT	280
2	TAPE	1
3	REEL	1
4	COVER TAPE	1



1- IN ACCORDANCE WITH EIA-481 AND IEC 296-3

CUSTOMER COPY FOR REFERENCE ONLY

mat'l. code		surface ISO 1302		tolerance ISO 406 ISO 1101		projection		product family	
E F90120		DLE 99.02.01		tolerances unless otherwise specified		mm		MOD-JACK	
F F06.0240		DLE 06.07.18		angles linear		scale 1:1		title	
				dr D LEGRAND 06.07.18		FCJ		SMT RA JACK	
				enr P NIZZI 06.07.18				4 POS. NARROW OUTSIDE	
				chr D LEGRAND 06.07.18				dwg no 73306	
				app P NIZZI 06.07.18				sheet 2 of 3 size A3	
sheet index		revision sheet						type CUSTOMER Drawing	



FCIconnect.com

**CUSTOMER COPY FOR REFERENCE ONLY**

mat'l. code		surface ISO 1302 <input checked="" type="checkbox"/>		tolerance ISO 406 <input type="checkbox"/> ISO 1101 <input type="checkbox"/>		projection 		product family MOD JACK	
ltr		ecn no		dr		date		title	
A		F04.0363		DLE		04.10.18		SMT RA JACK	
B		F06-0240		DLE		06.07.18		4 POS NARROW OUTSIDE	
				angles		linear		scale 2:1	
				±2°					
		dr		D LEGRAND		04.10.18		dwg no	
		engr		P NIZZI		04.10.18		sheet 3 of - size	
		chr		D LEGRAND		04.10.18		73306 A4	
		appd		P NZ		04.10.18		type	
								CUSTOMER Drawing	
sheet index		revision sheet							

Copyright FCI

