

K2S-SS

~15° smooth spot beam optimized for LUXEON K2. Assembly with transparent holder.

TECHNICAL SPECIFICATIONS:

Dimensions	21.6 mm
Height	15.6 mm
Fastening	tape
ROHS compliant	yes ⓘ

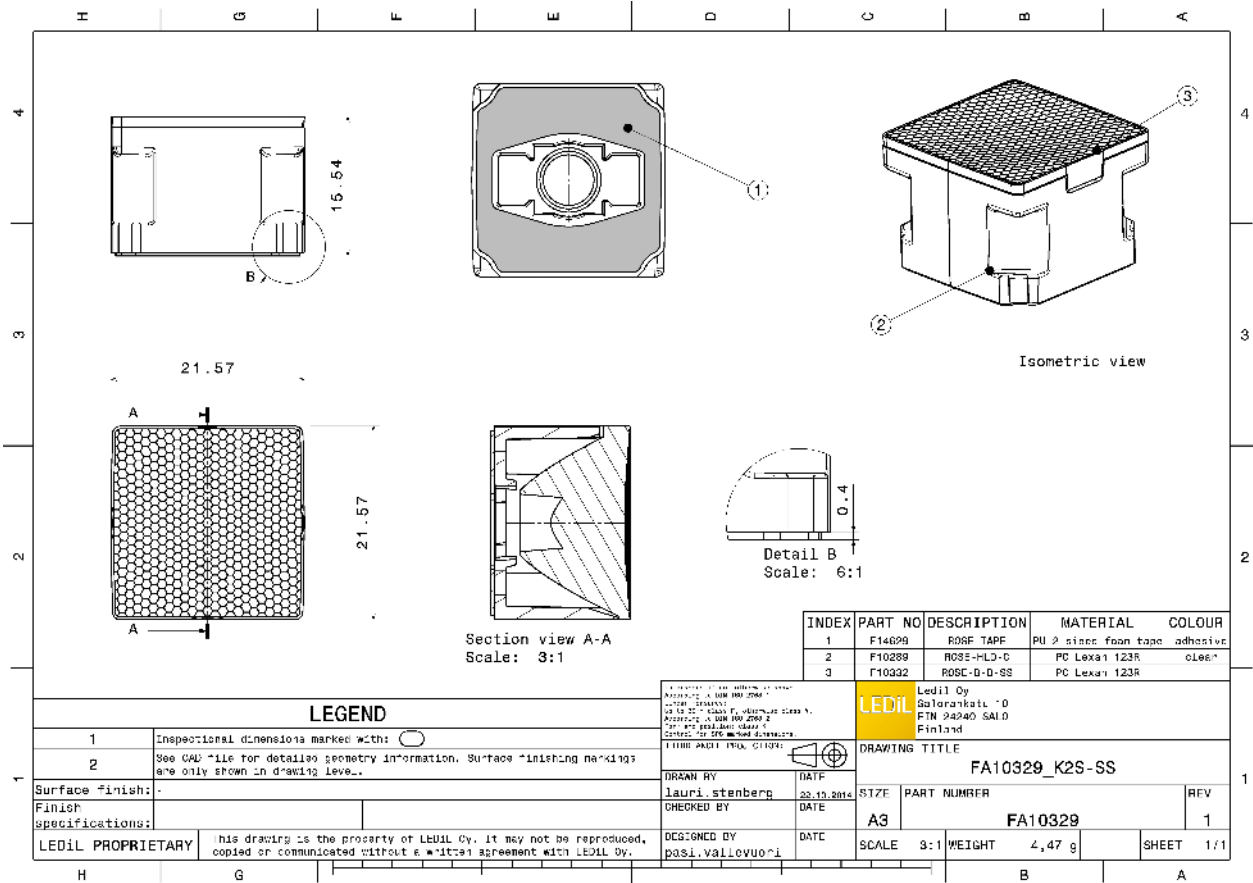
MATERIAL SPECIFICATIONS:

Component	Type	Material	Colour	Finish
ROSE-B-B-SS	Single lens	PC		
ROSE-HLD-C	Holder	PC		
ROSE-TAPE	Tape	PU tape		



ORDERING INFORMATION:

Component		Qty in box	MOQ	MPQ	Box weight (kg)
FA10329_K2S-SS	Single lens	2016		144	0.0
» Box size:					



INDEX	PART NO	DESCRIPTION	MATERIAL	COLOUR
1	F14099	ROSE TAPE	PU 2 sided foam tape adhesive	
2	F10289	ROSE-HLD-C	PC Lexan 123R	clear
3	F10332	ROSE-D-D-SS	PC Lexan 123R	

LEGEND

1	Inspectional dimensions marked with
2	See CAD file for detailed geometry information. Surface finishing markings are only shown in drawing level.

Surface finish: -
 Finish specifications:

LEDiL PROPRIETARY This drawing is the property of LEDiL Oy. It may not be reproduced, copied or communicated without a written agreement with LEDiL Oy.

LEDiL Oy Gularankatu 10 FIN-04240 SAUNO Finland		DRAWING TITLE	
DRAWN BY lauri.stenberg DATE 22.10.2018		DRAWING TITLE FA10329_K2S-SS	
CHECKED BY pasil.vallovuori DATE		SIZE A3	PART NUMBER FA10329
SCALE 3:1		WEIGHT 4,47 g	SHEET 1/1

PHOTOMETRIC DATA (MEASURED):



LED	LUXEON K2
FWHM	12.0°
Efficiency	%
Peak intensity	cd/lm
LEDs/each optic	1
Light colour	White
Required components:	

GENERAL INFORMATION:

NOTE: The typical beam angle will be changed by different color, chip size and chip position tolerance. The typical total beam angle is the full angle measured where the luminous intensity is half of the peak value.

MATERIALS:

As part of our continuous research and improvement processes, and to ensure the best possible quality and availability of our products, LEDiL reserves the right to change material grades without notice.

PRODUCT DATA USER AGREEMENT AND DISCLAIMER:

The measured data in the provided downloadable LEDiL Product Datasheets and Mechanical 2D-Drawings is rounded and provided as reference for planning. LEDiL Oy's optical specifications have been verified by conducting performance testing of the products in accordance with the company's quality system. The reported data are averaged results of multiple measurements with typical variation. LEDiL Oy reserves the right to without prior notification make changes and improvements to its products.

LEDiL Oy assumes neither warranty, nor guarantee nor any other liability of any kind for the contents and correctness of the provided data. The provided data has been generated with highest diligence but the provided data may in reality not represent the complete possible variation range of all intrinsic parameters. Therefore, in certain cases a deviation from the provided data could occur.

LEDiL Oy reserves the right to undertake technical changes of its products without further notification which could lead to changes in the provided data. LEDiL Oy assumes no liability of any kind for the possible deviation from any provided data or any other damage resulting from the usage of the provided data.

The user agrees to this disclaimer and user agreement with the download or usage of the provided files.

LEDiL Oy

Joensuunkatu 13
FI-24240 SALO
Finland

LEDiL Inc.

228 West Page Street
Suite D
Sycamore IL 60178
USA

Local sales and technical support

[www.ledil.com/
where_to_buy](http://www.ledil.com/where_to_buy)

Shipping locations

Salo, Finland
Hong Kong, China

Distribution Partners

[www.ledil.com/
where_to_buy](http://www.ledil.com/where_to_buy)