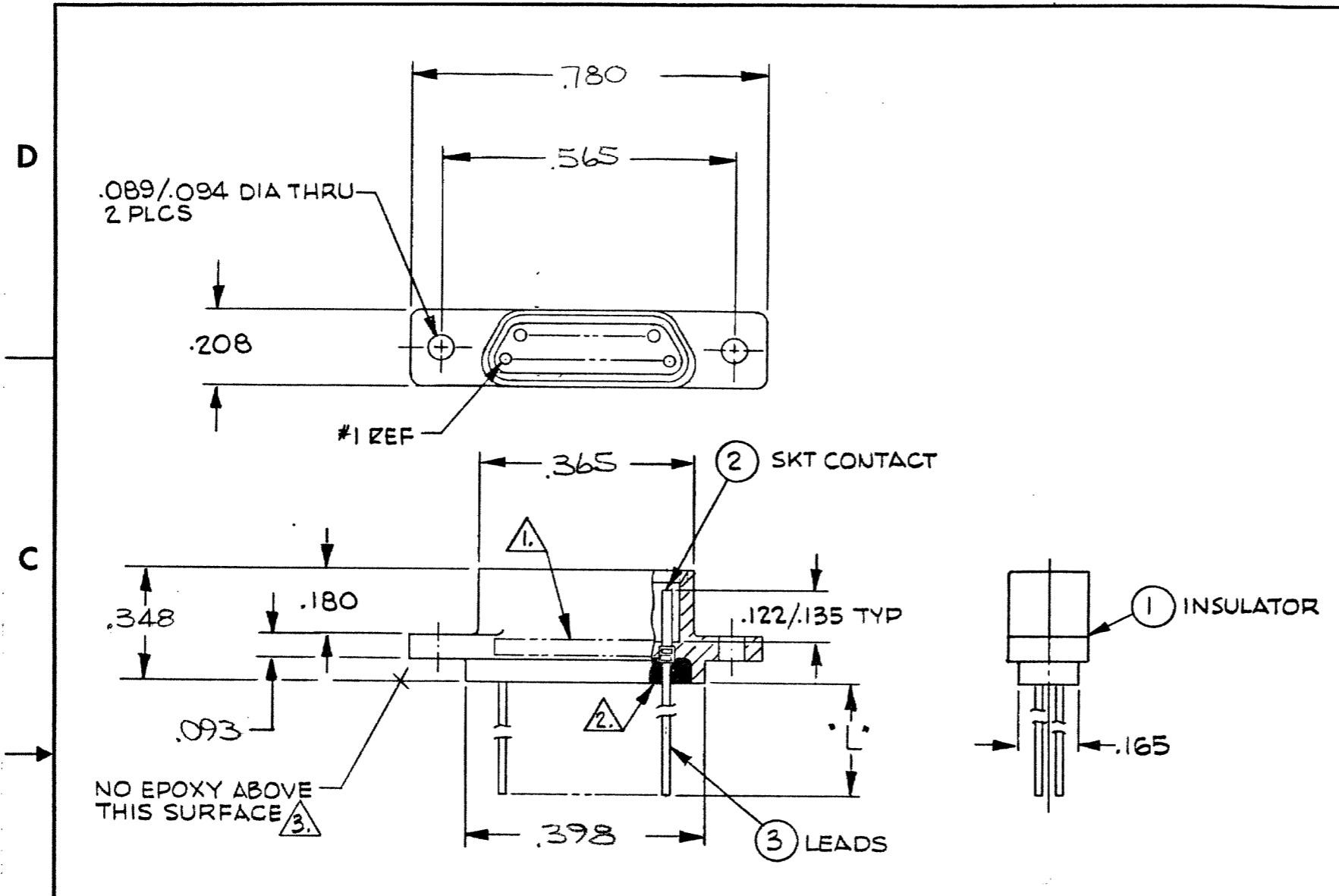
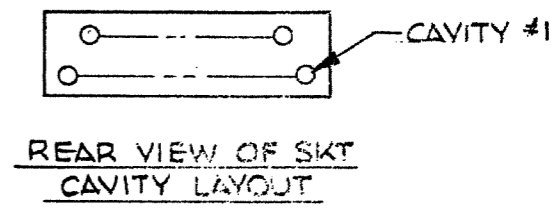


REVISIONS					
ZONE	LTR	ECO	DESCRIPTION	DATE	APPROVED
	A	19891	RELEASED 7-8-75 MD	7-10-75	[Signature]
	B	22368	DIM: 16:348 WAS: .365 NOTE 4: WAS: CONTACTS PER DWG. 096-0000-0024	8-5-77	[Signature]



- NOTES:**
- 1. MARK "MALCO" OR MALCO LOGO PART NO. & DATE CODE WITH .047 MIN. HIGH CHARACTERS IN APPROX LOCATION SHOWN
  - 2. EPOXY AS SHOWN WITH HYSOL # 4215 AND # 3561
  - 3. EPOXY WICKING FROM THE REAR OF THE INSULATOR ON INSULATED LEADS MUST NOT EXCEED .125 MAX ON # 25 AWG AND SMALLER LEADS AND .200 MAX ON # 24 AWG AND LARGER LEADS
  - 4. CRIMP LEADS INTO CONTACTS PER MEP 302-05



Tyco Dwg 8-1532148-5  
Micro P/N 095-0000-0326

QTY REQD	CODE IDENT	PART OR IDENTIFYING NO.	NOMENCLATURE OR DESCRIPTION
PARTS LIST			
UNLESS OTHERWISE SPECIFIED DIMENSIONS ARE IN INCHES TOLERANCES ARE: FRACTIONS DECIMALS ANGLES ± 1/64 .XX ± .01 ± 0°-30' .XXX ± .005		CONTRACT NO.	
MATERIAL		APPROVALS	DATE
FINISH		DRAWN M. DABROWSKI 7-8-75	
NEXT ASSY		CHECKED	PR. ENG.
USED ON		ARRD.	
APPLICATION		MALCO A MICRODOT COMPANY, INC. 220 PASADENA AVE., SO. PASADENA, CALIF. 91030 <b>RACK AND PANEL CONN.</b> <b>MCDG 3-9 S</b> <b>SCREW MOUNTING</b> PROD. CODE 624 CODE M	
DO NOT SCALE DRAWING		SIZE <b>B</b>	CODE IDENT NO. <b>98278</b> DRAWING NO. <b>095-0000-0326</b>
		SCALE NONE SHEET 1 of 1	