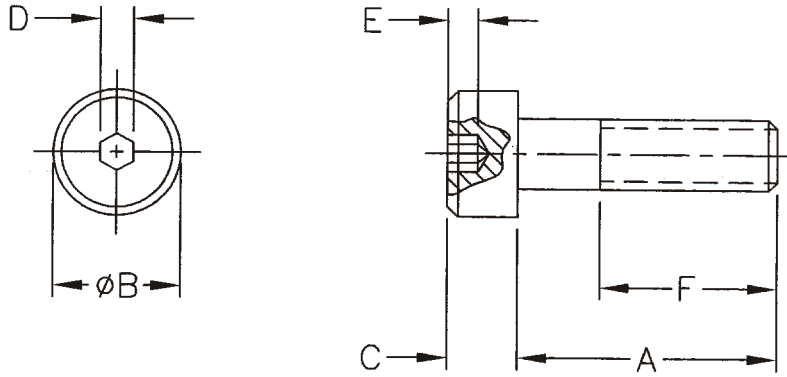


1. PART NUMBER AND CHARACTERISTICS



TE Part No	Rev	Thread	A	B (max)	C (max)	D	E (min)	F (min)
519000-1	A	M2	3	3.8	2	1.5	1	Full
519000-2	A	M2	4	3.8	2	1.5	1	Full
519000-3	A	M2	5	3.8	2	1.5	1	Full
519000-4	A	M2	6	3.8	2	1.5	1	Full
519000-5	A	M2	8	3.8	2	1.5	1	Full
519000-6	A	M2	10	3.8	2	1.5	1	Full
519000-7	A	M2	12	3.8	2	1.5	1	Full
519000-8	A	M2	16	3.8	2	1.5	1	Full
519000-9	A	M2	20	3.8	2	1.5	1	16
1-519000-0	A	M3	5	5.5	3	2.5	1.3	Full
1-519000-1	A	M3	6	5.5	3	2.5	1.3	Full
1-519000-2	A	M3	8	5.5	3	2.5	1.3	Full
1-519000-3	A	M3	10	5.5	3	2.5	1.3	Full
1-519000-4	A	M3	12	5.5	3	2.5	1.3	Full
1-519000-5	A	M3	16	5.5	3	2.5	1.3	Full
1-519000-6	A	M3	20	5.5	3	2.5	1.3	Full
1-519000-7	A	M3	25	5.5	3	2.5	1.3	18
1-519000-8	A	M3	30	5.5	3	2.5	1.3	18
1-519000-9	A	M4	6	7	4	3	2	Full
2-519000-0	A	M4	8	7	4	3	2	Full
2-519000-1	A	M4	10	7	4	3	2	Full
2-519000-2	A	M4	12	7	4	3	2	Full
2-519000-3	A	M4	16	7	4	3	2	Full
2-519000-4	A	M4	20	7	4	3	2	Full
2-519000-5	A	M4	25	7	4	3	2	Full

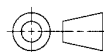
COMMERCIAL ITEM SPECIFICATION

MATERIAL
Steel (10.9)

FINISH
Electroplated Nickel



© 2010 Tyco Electronics Corporation, Harrisburg, PA
All International Rights Reserved



DIMENSIONS IN
mm

NO **519000**

REV	LOC	DIST
D	B	31

D	Add -98	JNB	22JAN10
REV	ENGINEERING CHANGE	CHK	DATE

SHEET
1 OF 3

TITLE
**SCREW, CAP, SOCKET HEAD,
METRIC SERIES**

1. PART NUMBER AND CHARACTERISTICS (Continued)

TE Part No	Rev	Thread	A	B (max)	C (max)	D	E (min)	F (min)
2-519000-6	A	M4	30	7	4	3	2	20
2-519000-7	A	M4	35	7	4	3	2	20
2-519000-8	A	M4	40	7	4	3	2	20
2-519000-9	A	M5	8	8.5	5	4	2.5	Full
3-519000-0	A	M5	10	8.5	5	4	2.5	Full
3-519000-1	A	M5	12	8.5	5	4	2.5	Full
3-519000-2	A	M5	16	8.5	5	4	2.5	Full
3-519000-3	A	M5	20	8.5	5	4	2.5	Full
3-519000-4	A	M5	25	8.5	5	4	2.5	Full
3-519000-5	A	M5	30	8.5	5	4	2.5	Full
3-519000-6	A	M5	35	8.5	5	4	2.5	22
3-519000-7	A	M5	40	8.5	5	4	2.5	22
3-519000-8	A	M5	45	8.5	5	4	2.5	22
3-519000-9	A	M5	50	8.5	5	4	2.5	22
4-519000-0	A	M6	10	10	6	5	3	Full
4-519000-1	A	M6	12	10	6	5	3	Full
4-519000-2	A	M6	16	10	6	5	3	Full
4-519000-3	A	M6	20	10	6	5	3	Full
4-519000-4	A	M6	25	10	6	5	3	Full
4-519000-5	A	M6	30	10	6	5	3	Full
4-519000-6	A	M6	35	10	6	5	3	Full
4-519000-7	A	M6	40	10	6	5	3	Full
4-519000-8	A	M6	45	10	6	5	3	24
4-519000-9	A	M6	50	10	6	5	3	Full
5-519000-0	A	M6	55	10	6	5	3	24
5-519000-1	A	M6	60	10	6	5	3	24
5-519000-2	A	M8	12	13	8	6	4	Full
5-519000-3	A	M8	16	13	8	6	4	Full
5-519000-4	A	M8	20	13	8	6	4	Full
5-519000-5	A	M8	25	13	8	6	4	Full
5-519000-6	A	M8	30	13	8	6	4	Full
5-519000-7	A	M8	35	13	8	6	4	Full
5-519000-8	A	M8	40	13	8	6	4	Full
5-519000-9	A	M8	45	13	8	6	4	Full
6-519000-0	A	M8	50	13	8	6	4	Full
6-519000-1	A	M8	55	13	8	6	4	28
6-519000-2	A	M8	60	13	8	6	4	Full
6-519000-3	A	M8	65	13	8	6	4	28
6-519000-4	A	M8	70	13	8	6	4	28
6-519000-5	A	M8	80	13	8	6	4	28
6-519000-6	A	M10	16	16	10	8	5	Full
6-519000-7	A	M10	20	16	10	8	5	Full
6-519000-8	A	M10	25	16	10	8	5	Full
6-519000-9	A	M10	30	16	10	8	5	Full
7-519000-0	A	M10	35	16	10	8	5	Full



Tyco Electronics
Corporation
Harrisburg, PA

SHEET
2 OF 3

NO

519000

REV
D

LOC
B

DIST
31

1. PART NUMBER AND CHARACTERISTICS (Continued)

TE Part No	Rev	Thread	A	B (max)	C (max)	D	E (min)	F (min)
7-519000-1	A	M10	40	16	10	8	5	Full
7-519000-2	A	M10	45	16	10	8	5	32
7-519000-3	A	M10	50	16	10	8	5	Full
7-519000-4	A	M10	55	16	10	8	5	32
7-519000-5	A	M10	60	16	10	8	5	Full
7-519000-6	A	M10	65	16	10	8	5	32
7-519000-7	A	M10	70	16	10	8	5	32
7-519000-8	A	M10	80	16	10	8	5	32
7-519000-9	A	M10	90	16	10	8	5	32
8-519000-0	A	M10	100	16	10	8	5	32
8-519000-1	A	M12	20	18	12	10	6	Full
8-519000-2	A	M12	25	18	12	10	6	Full
8-519000-3	A	M12	30	18	12	10	6	Full
8-519000-4	A	M12	35	18	12	10	6	Full
8-519000-5	A	M12	40	18	12	10	6	Full
8-519000-6	A	M12	45	18	12	10	6	Full
8-519000-7	A	M12	50	18	12	10	6	Full
8-519000-8	A	M12	55	18	12	10	6	36
8-519000-9	A	M12	60	18	12	10	6	Full
9-519000-0	A	M12	65	18	12	10	6	36
9-519000-1	A	M12	70	18	12	10	6	36
9-519000-2	A	M12	80	18	12	10	6	36
9-519000-3	A	M12	90	18	12	10	6	36
9-519000-4	A	M12	100	18	12	10	6	36
9-519000-5	A	M12	110	18	12	10	6	36
9-519000-6	A	OBSOLETE						
9-519000-7	C	M5	85	8.5	5	4	2.5	22
9-519000-8	D	M2.5	4	4.5	2.5	2	1.1	Full

- 1.1 Dimensions shall comply with DIN 912 and ISO 4762
 2. RECOMMENDED MANUFACTURER
 None



Tyco Electronics
 Corporation
 Harrisburg, PA

SHEET
 3 OF 3

NO

519000

REV
D

LOC
B

DIST
31