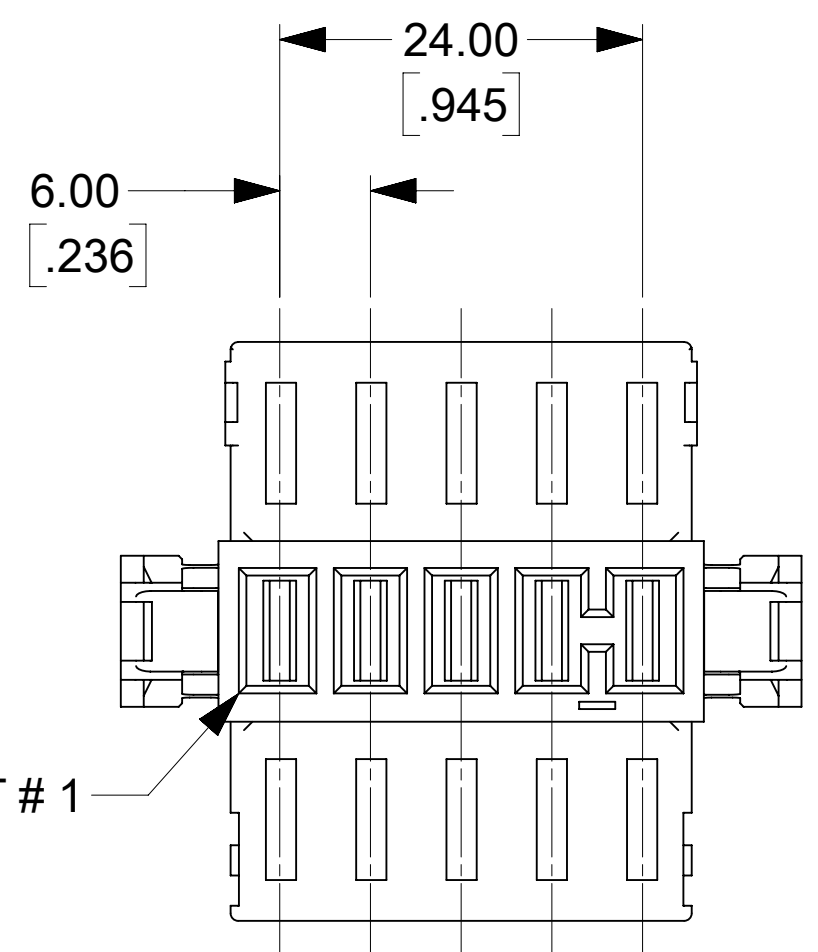
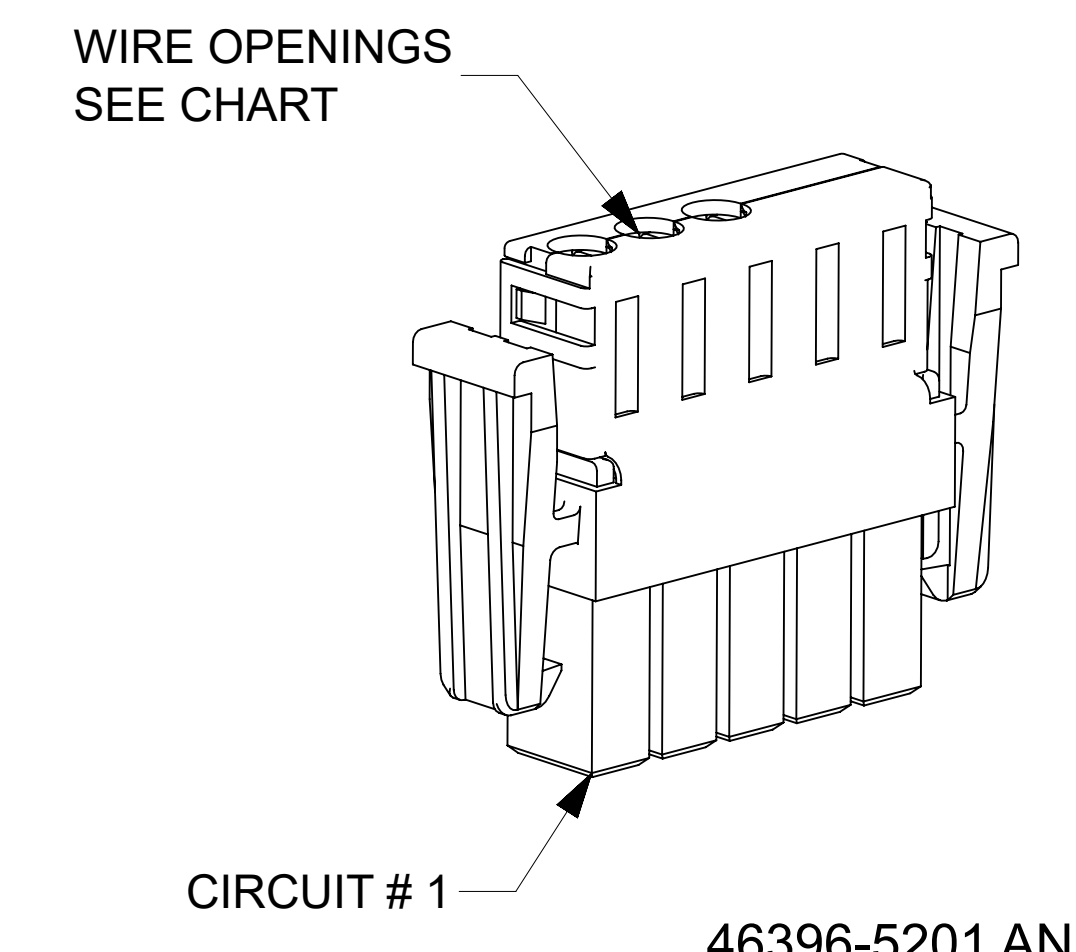
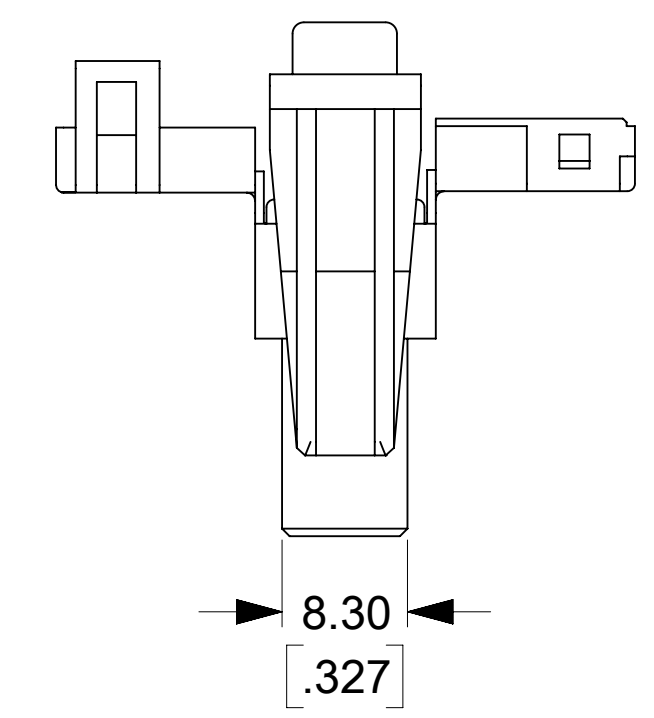
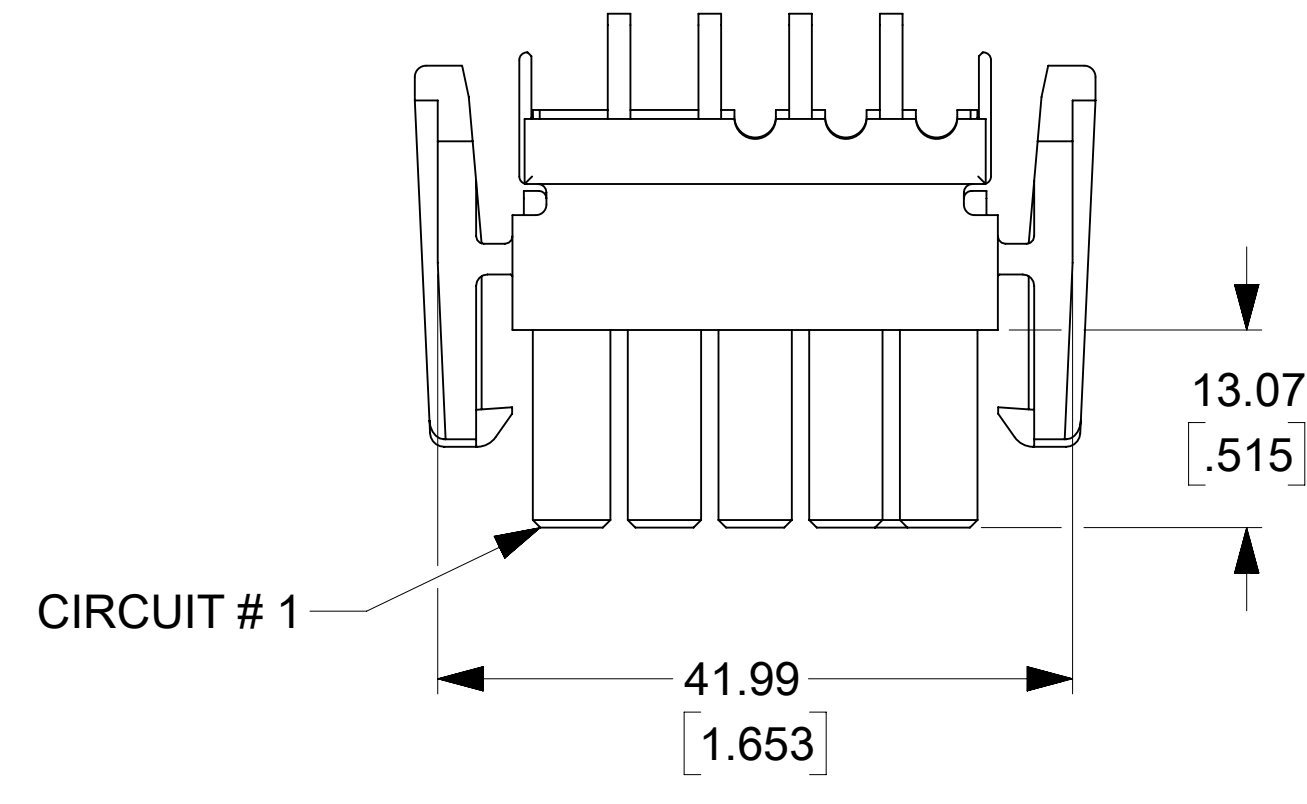
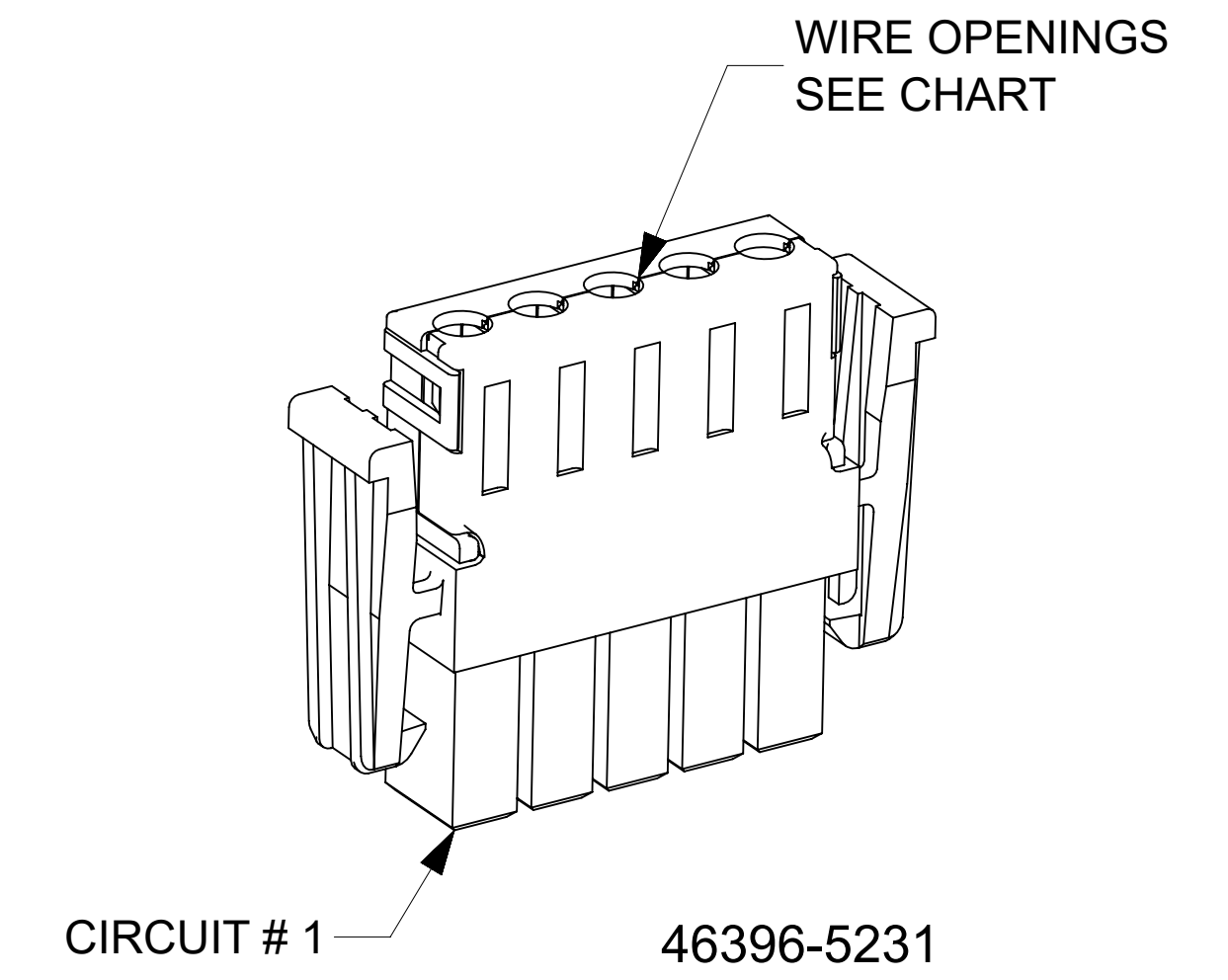
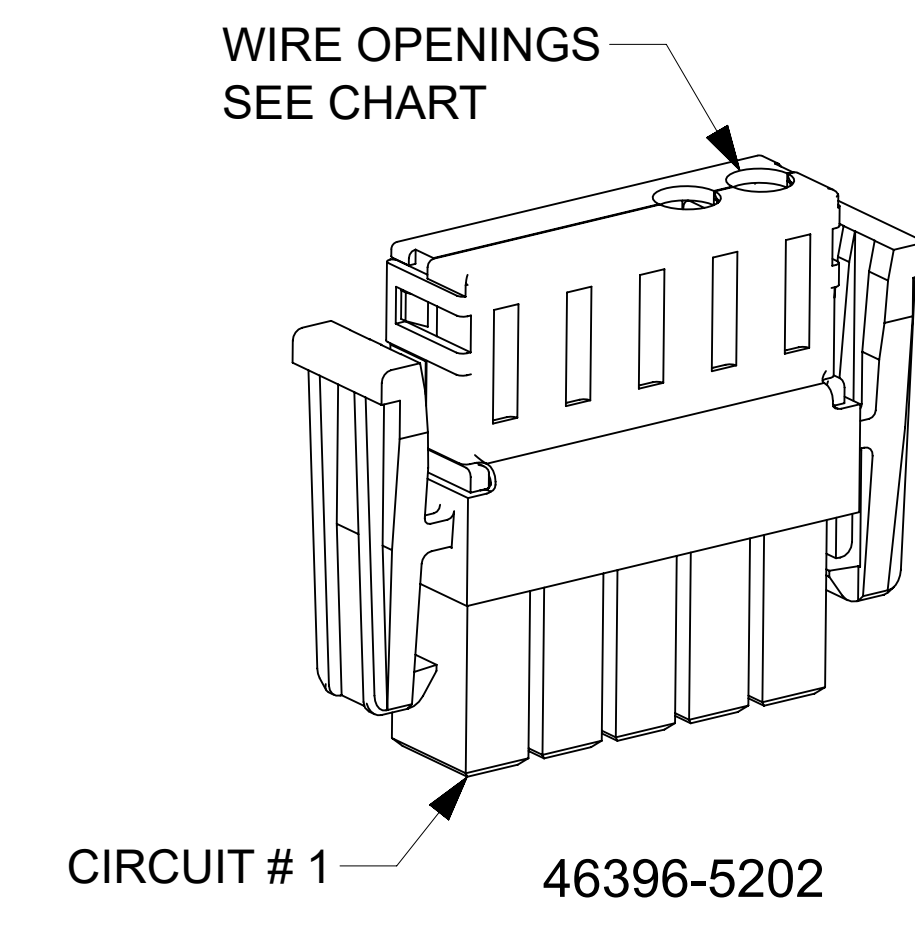
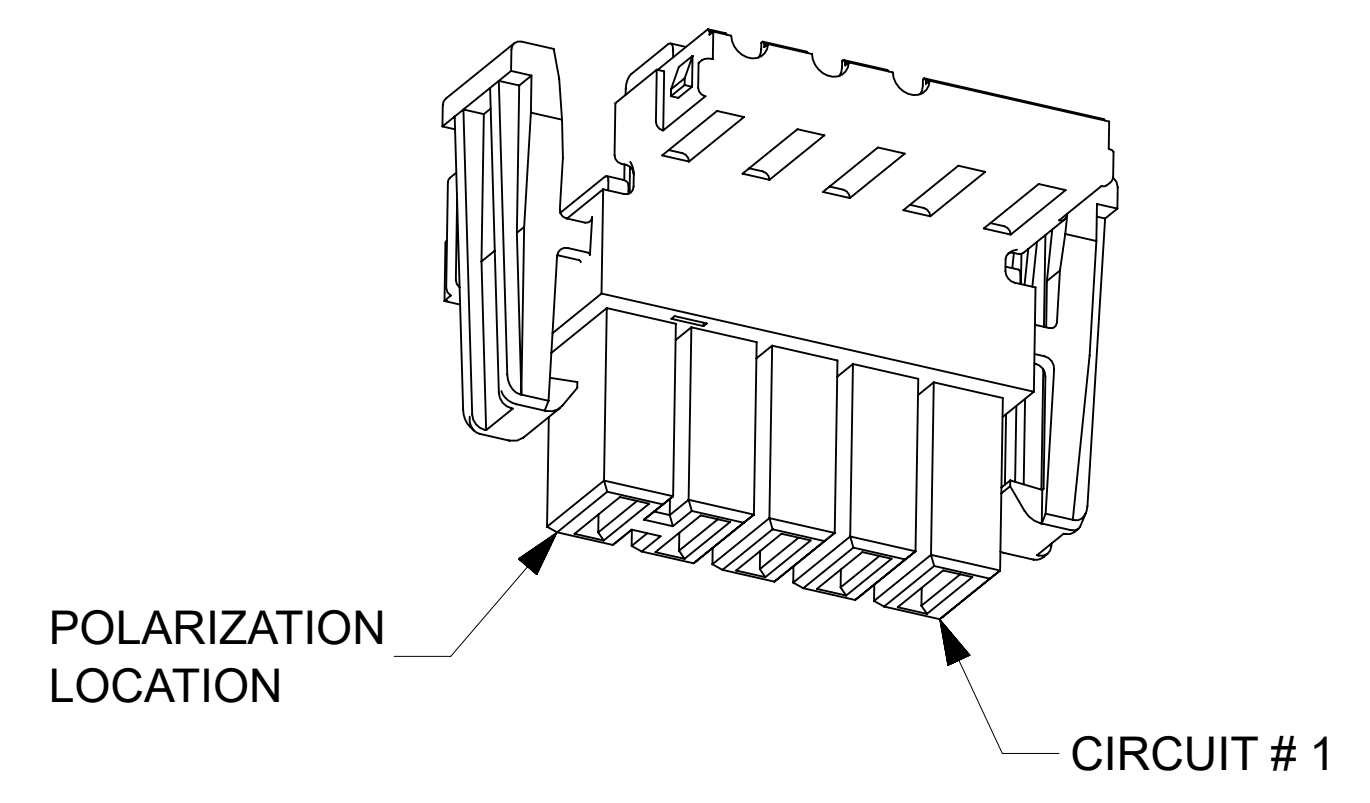
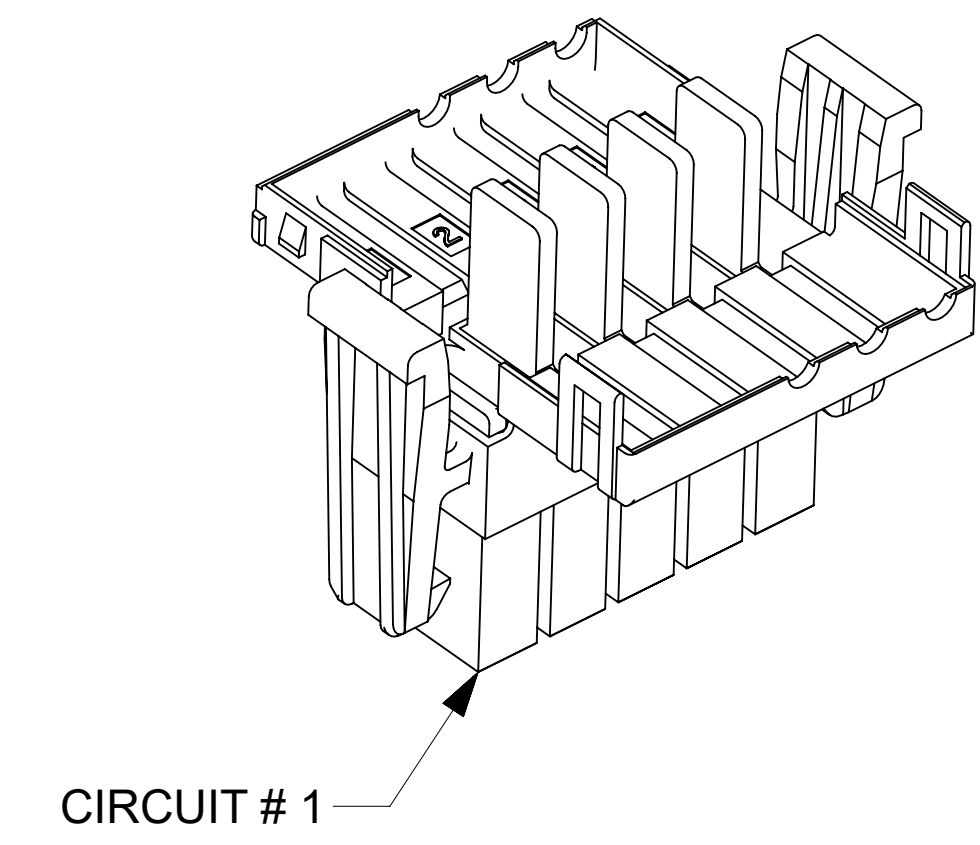
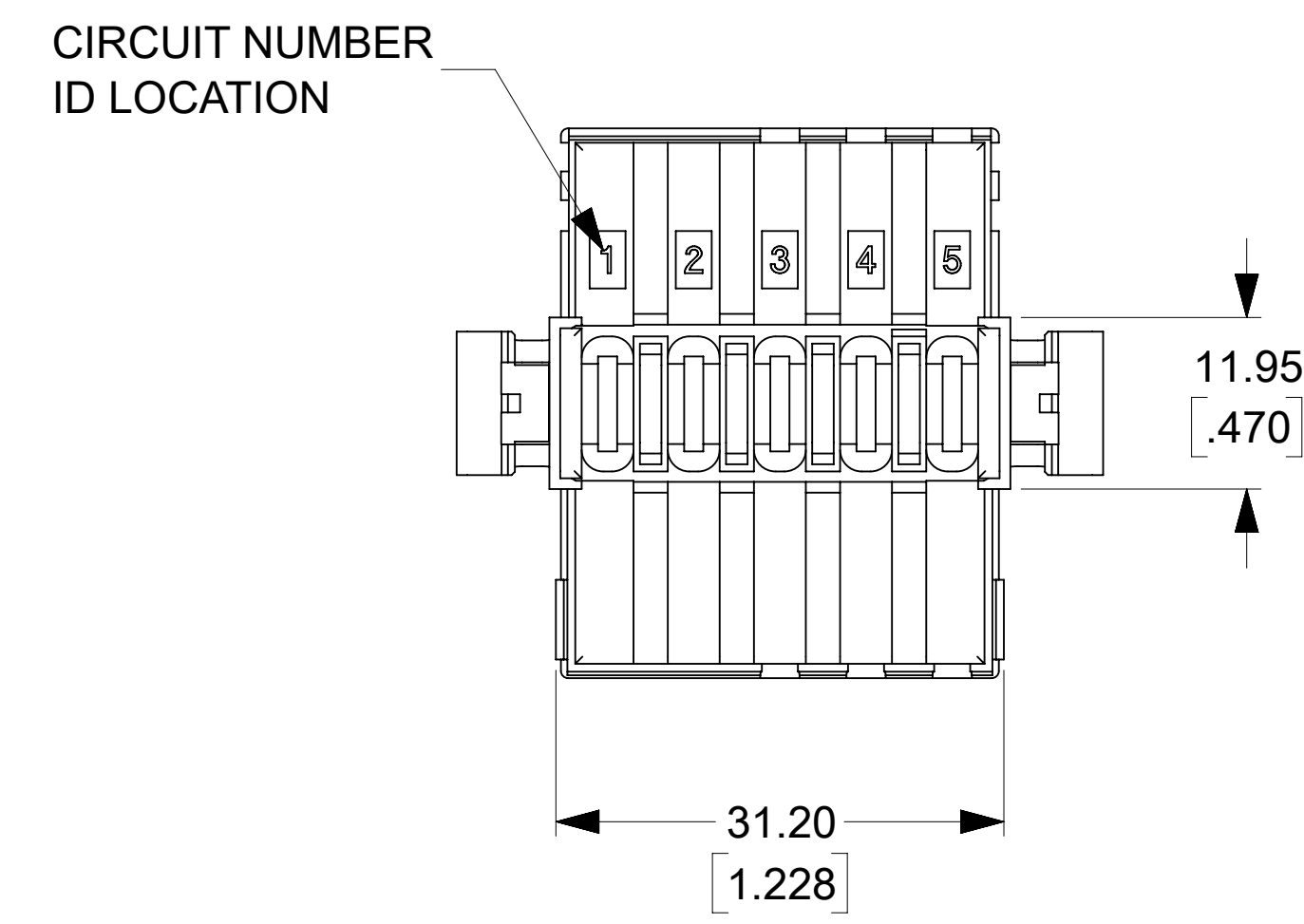


PART NUMBER	NUMBER OF WIRE OPENINGS	CIRCUIT POSITION	WIRE SIZE(S) SEE NOTE 6	WIRE HOLE DIAMETER
46396-5201	3	1, 2, 3	16 AWG	2.34/.092
46396-5202	2	4, 5	10 AWG	4.46/.176
46396-5211	3	1, 2, 3	16 AWG	2.74/.108
46396-5231	5	1, 2, 3, 4, 5	12 AWG	4.00/.158

NOTES:

1. MATERIAL: PBT OR EQUIVALENT, 94V-0. COLOR: BLACK
2. HOUSING ACCEPTS MOLEX TERMINAL SERIES: 44262-4\*\*\* (SEE MOLEX DRAWING NUMBER SD-44262-001 FOR TERMINAL OPTIONS)
3. HOUSING AND ASSOCIATED COMPONENTS ARE RoHS COMPLIANT
4. PACKAGED PER MOLEX PACKAGING SPEC: PK-46396-\*\*\*
5. RECEPTACLE HOUSING MATES WITH PLUG HOUSING 46394-5001 (SEE MOLEX DRAWING NUMBER SD-46394-001 FOR DETAILS)
6. FINAL FIT OF WIRE THRU WIRE OPENINGS WILL DEPEND ON THE OUTSIDE DIAMETER OF THE WIRE.



WIRE OPENING CONFIGURATIONS CONNECTORS SHOWN CLOSED

THIS DRAWING CONTAINS INFORMATION THAT IS PROPRIETARY TO MOLEX ELECTRONIC TECHNOLOGIES, LLC AND SHOULD NOT BE USED WITHOUT WRITTEN PERMISSION											
DIMENSION UNITS <b>MM/INCH</b>		SCALE <b>2:1</b>		CURRENT REV DESC: OBSOLETE PART NUMBERS AS PER PCN#509451							
GENERAL TOLERANCES (UNLESS SPECIFIED)						EC NO: 686785					
		MM		INCH		DRWN: SKANDB		2022/02/28			
4 PLACES		±		±		CHK'D: GGA		2022/02/28			
3 PLACES		±		± 0.005		APPR: GGA					
2 PLACES		±		0.13 ± 0.01		INITIAL REVISION:					
1 PLACE		±		0.25 ±		DRWN: MDATA		2007/10/07			
0 PLACES		±		±		APPR: APATEL		2007/01/15			
ANGULAR TOL		±		0.5 °		THIRD ANGLE PROJECTION		DRAWING SERIES			
DRAFT WHERE APPLICABLE MUST REMAIN WITHIN DIMENSIONS		D-DRAWING		D-SIZE		46396		MATERIAL NUMBER			
						SEE TABLE		CUSTOMER			
						GENERAL MARKET		SHEET NUMBER			
								1 OF 1			