

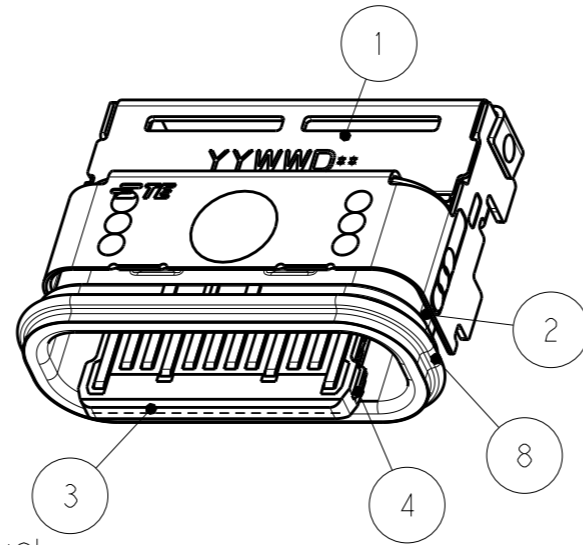
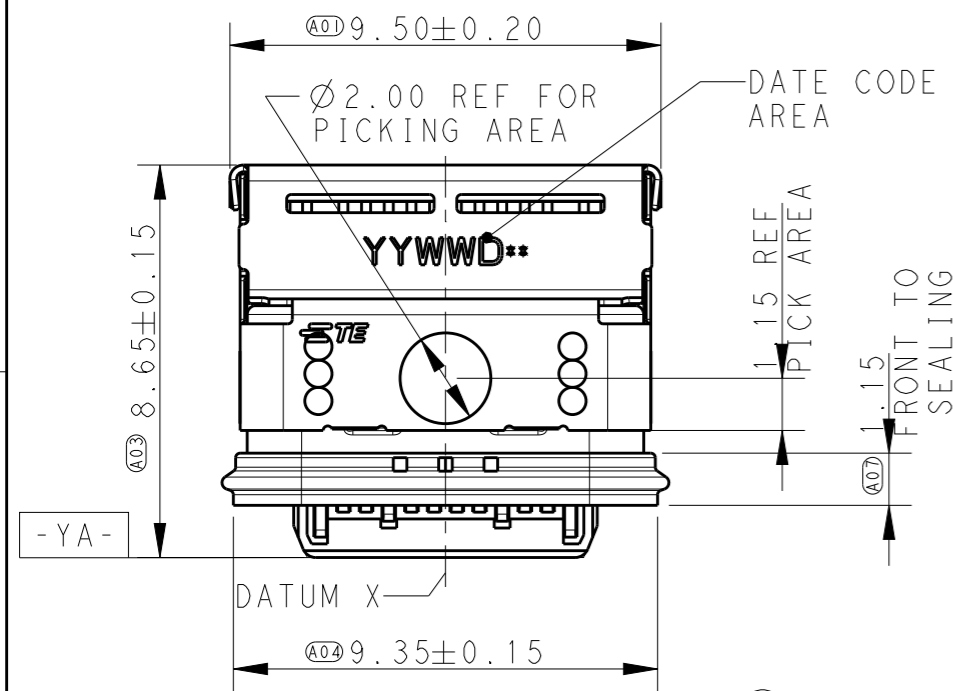
THIS DRAWING IS UNPUBLISHED. RELEASED FOR PUBLICATION

© COPYRIGHT 20 BY - ALL RIGHTS RESERVED.

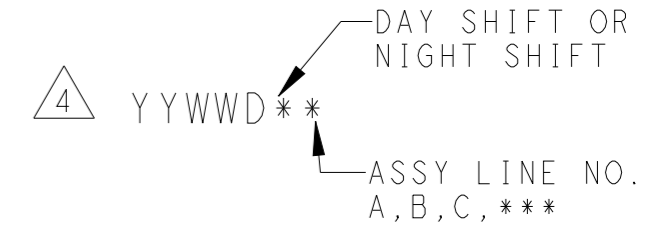
REVISIONS

P	LTR	DESCRIPTION	DATE	DWN	APVD
	A	INITIAL RELEASE	31OCT2018	J.M	S.L

SHOWN AS: 2305018-2

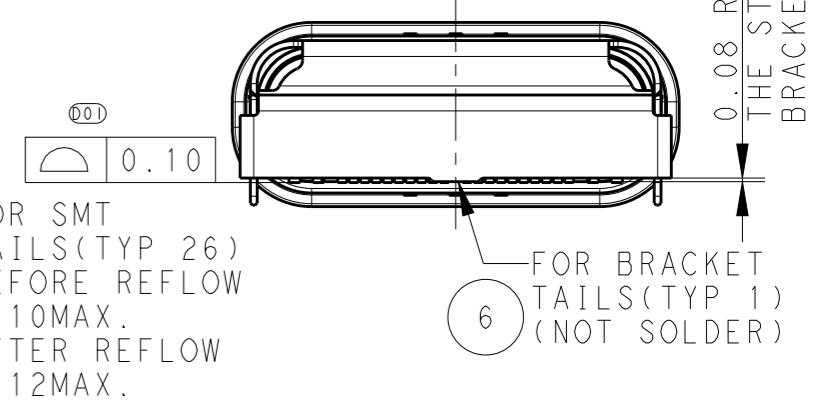
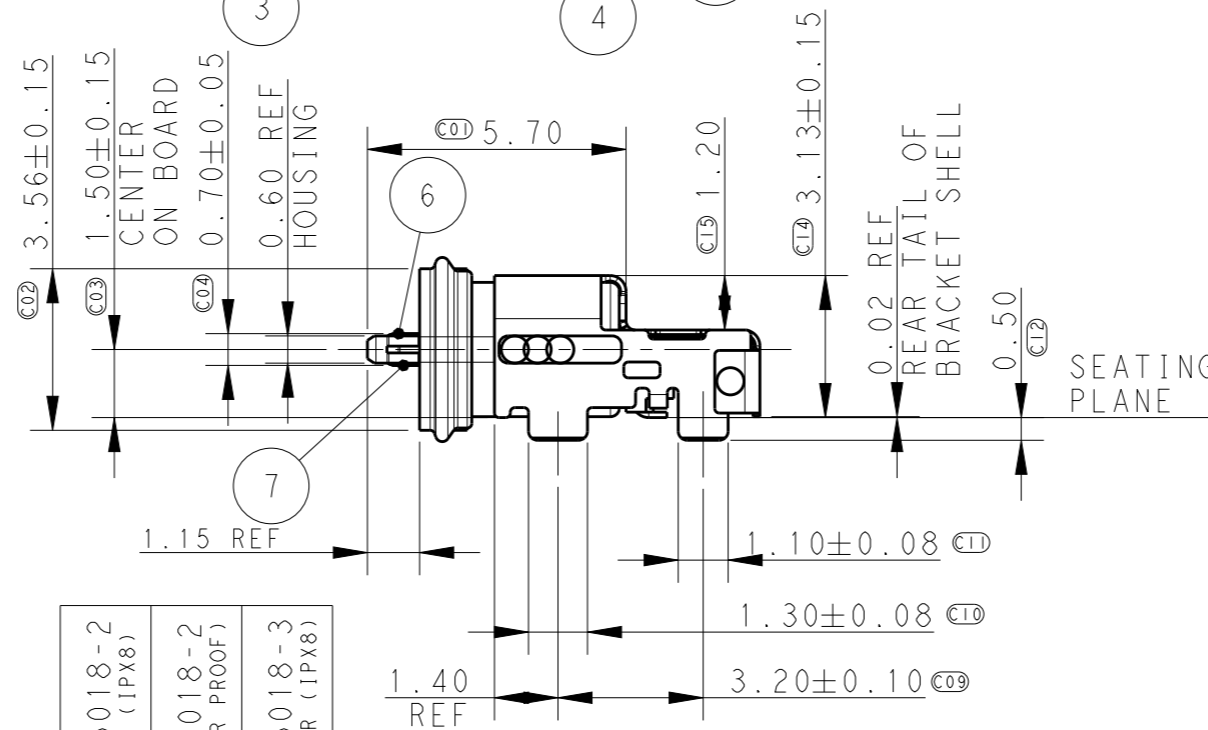
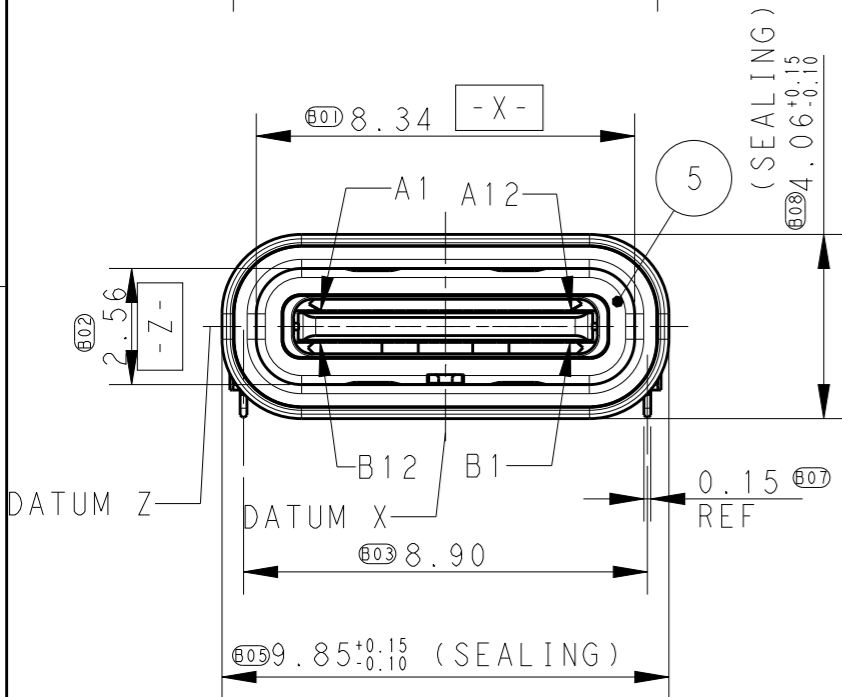


NOTES:  
 1. MATERIAL : SEE TABLE "A".  
 2. FINISH : SEE TABLE "A".



3 . PICKING AREA  
 4 . DATE CODE AREA

5. SC = SHARP CORNER



FOR SMT TAILS(TYP 26) BEFORE REFLOW 0.10MAX. AFTER REFLOW 0.12MAX.

2305018-2 (IPX8)	1-2305018-2 (NONE WATER PROOF)	2305018-3 GREEN COLOR (IPX8)
------------------	--------------------------------	------------------------------

TABLE "A"

ITEM	DESCRIPTION	MATERIAL	REMARK	Q'TY	Q'TY	Q'TY
9	POTTING	SILICONE		1	1	1
8	SEALING	SILICONE		1	-	1
7	LOWER CONTACT	COPPER ALLOY OR EQUIVALENT	FUNCTION AREA: Au 0.75um PLATED. SOLDER AREA: GOLD FLASH PLATED. OVERALL: NI PLATED	1	1	1
6	UPPER CONTACT	COPPER ALLOY OR EQUIVALENT		1	1	1
5	INNER SHELL	STAINLESS STEEL OR EQUIVALENT	CLEANING	1	1	1
4	MID-PLATE	STAINLESS STEEL	NI PLATED ON SOLDER TAIL	1	1	1
3	MAIN IM	HIGH TEMPERATURE THERMO PLASTIC	GREEN, UL94V-0 BLACK, UL94V-0	1	1	1
2	MAIN SHELL	STAINLESS STEEL OR EQUIVALENT	CLEANING	1	1	1
1	BRACKET SHELL	STAINLESS STEEL	NI PLATED	1	1	1

THIS DRAWING IS A CONTROLLED DOCUMENT.

DIMENSIONS: mm	TOLERANCES UNLESS OTHERWISE SPECIFIED: 0 PLC ±0.5 1 PLC ±0.25 2 PLC ±0.25 3 PLC ±0.25 4 PLC ±0.25 ANGLES ±3°
MATERIAL	FINISH

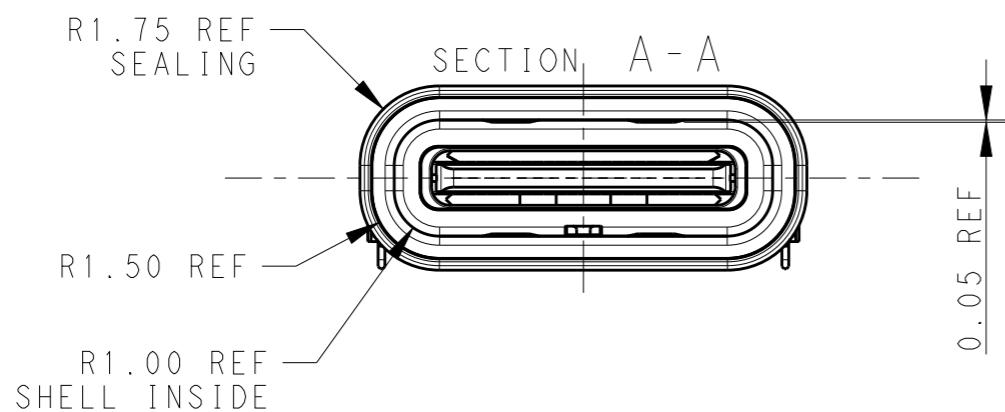
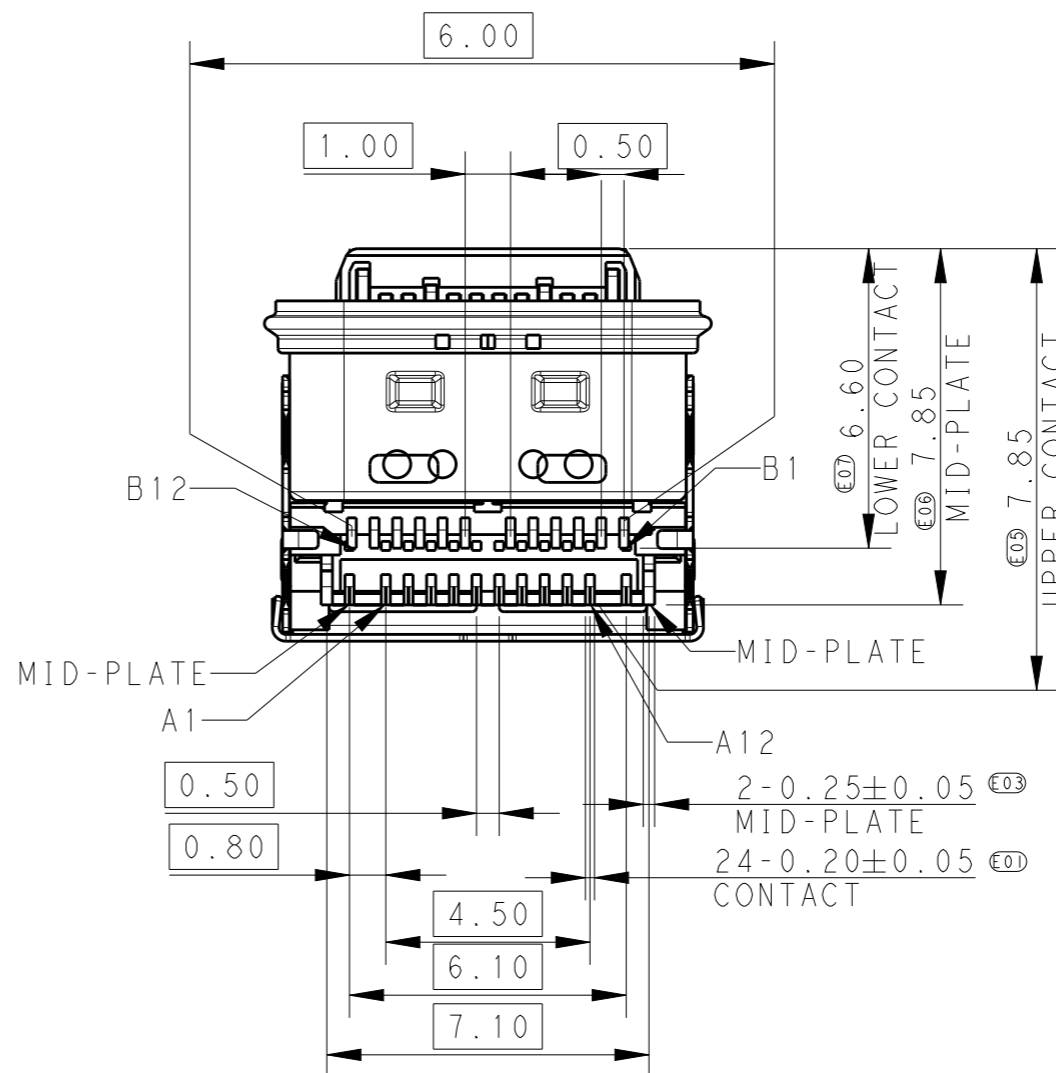
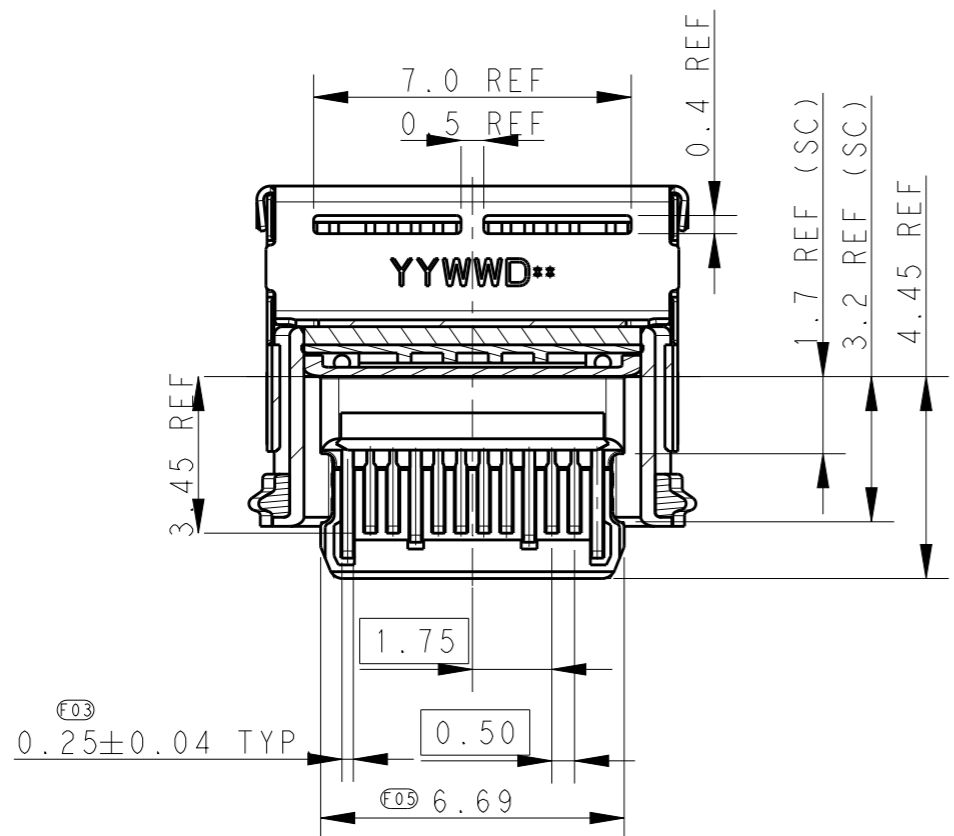
DWN	12-DEC-2016
CHK	SOLDIER ZHANG
APVD	12-DEC-2016
PRODUCT SPEC	HAPYE WU
APPLICATION SPEC	108-115129-2
WEIGHT	501-115141-2
CUSTOMER DRAWING	


		TE Connectivity	
		NAME TYPE C RECEPTACLE ON BOARD	
SIZE	CAGE CODE	DRAWING NO	RESTRICTED TO
A3	-	C-2305018	-
SCALE 7:1		SHEET 1 OF 6	REV A2

REVISIONS

P	LTR	DESCRIPTION	DATE	DWN	APVD
-	-	SEE SHEET 1	-	-	-

SHOWN AS: 2305018-2



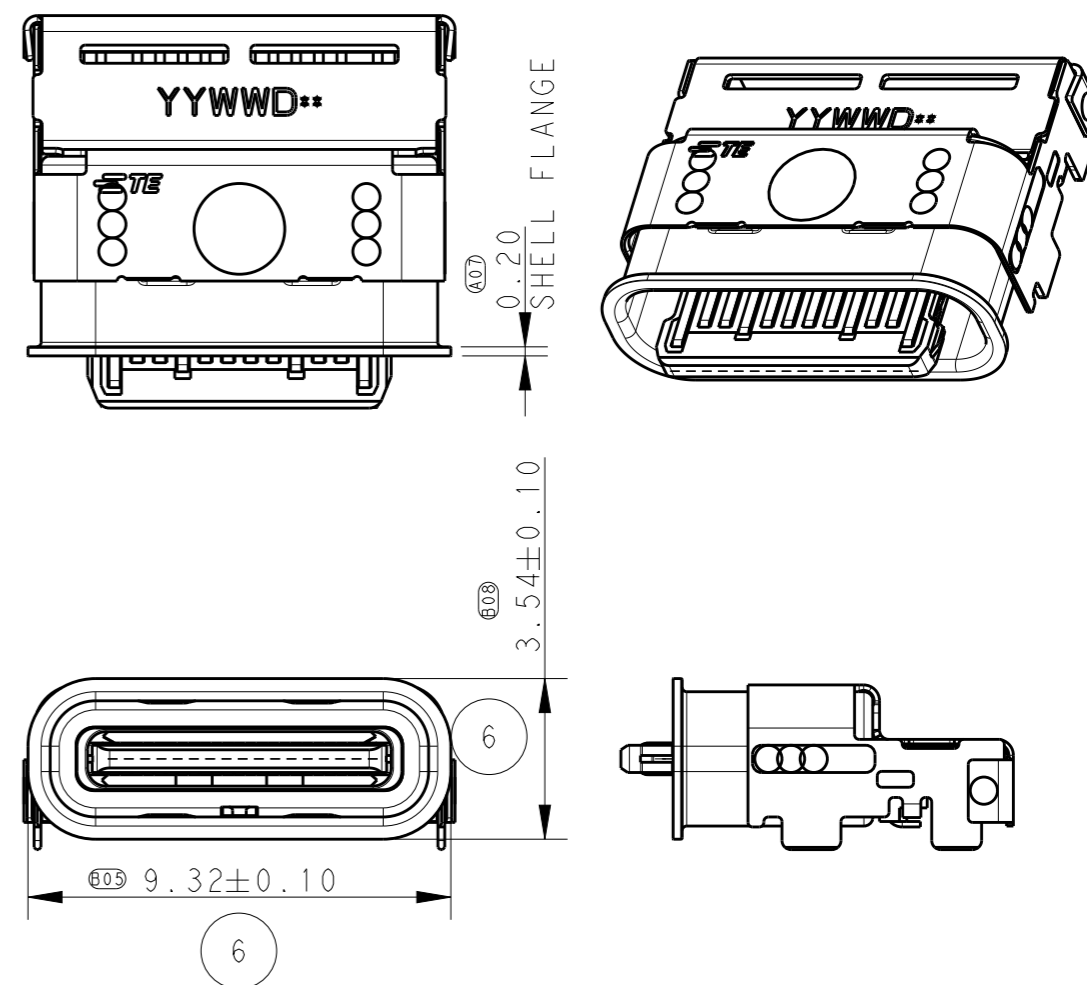
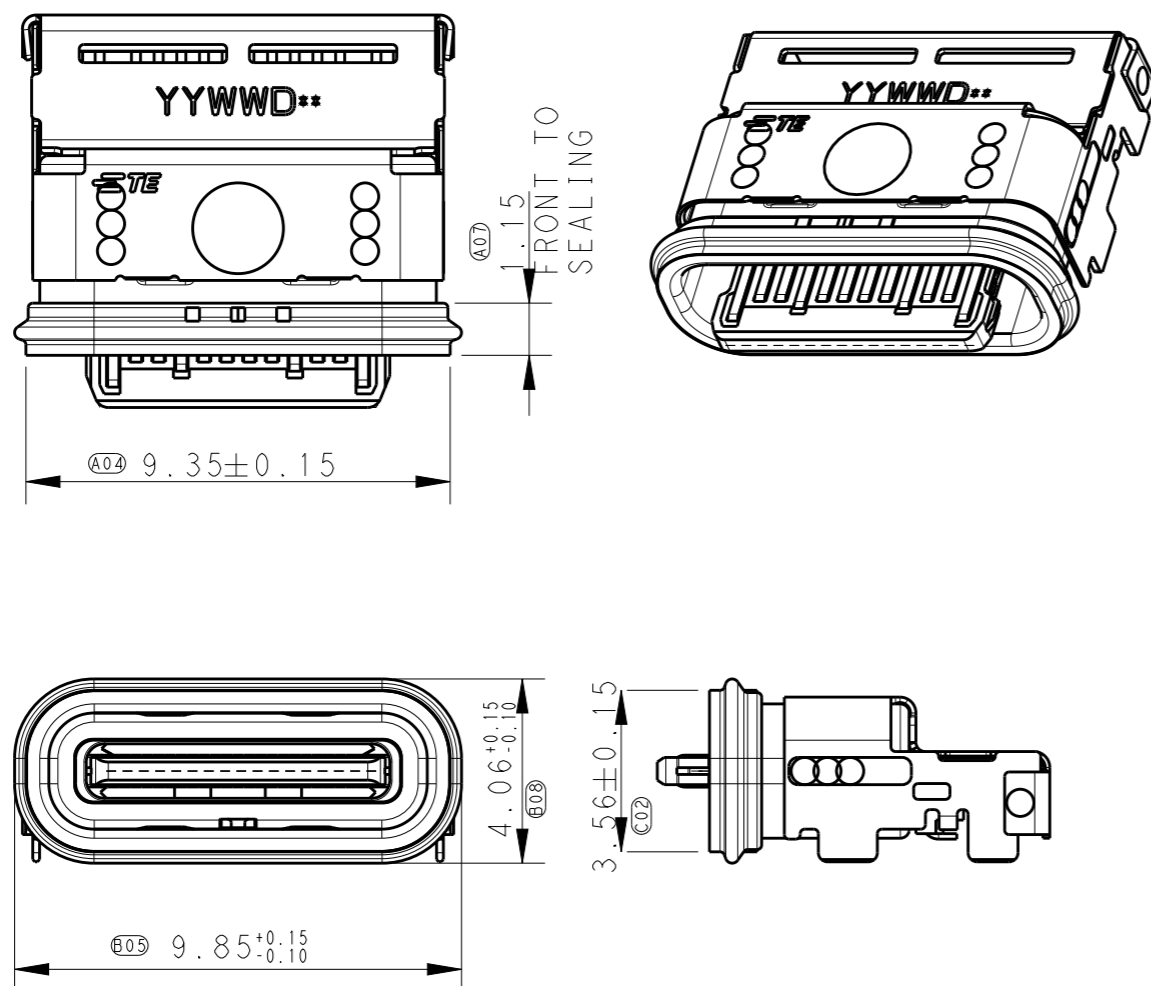
THIS DRAWING IS A CONTROLLED DOCUMENT.		DWN SOLDIER ZHANG 12-DEC-2016	 TE Connectivity	
DIMENSIONS: mm		CHK HAPYE WU 12-DEC-2016		
TOLERANCES UNLESS OTHERWISE SPECIFIED:		APVD HAPYE WU 12-DEC-2016	NAME TYPE C RECEPTACLE ON BOARD	
0 PLC ±0.5 1 PLC ±0.25 2 PLC ±0.25 3 PLC ±0.25 4 PLC ±0.25 ANGLES ±3°		PRODUCT SPEC 108-115129-2	SIZE A3	
MATERIAL -		APPLICATION SPEC 501-115141-2	CAGE CODE -	DRAWING NO C-2305018
FINISH -		WEIGHT -	RESTRICTED TO -	
		CUSTOMER DRAWING	SCALE 7:1	SHEET 2 OF 6
			REV A2	

REVISIONS

P	LTR	DESCRIPTION	DATE	DWN	APVD
-	-	SEE SHEET 1	-	-	-

SHOWN AS: 2305018-2, 2305018-3

SHOWN AS: 1-2305018-2



THIS DRAWING IS A CONTROLLED DOCUMENT.

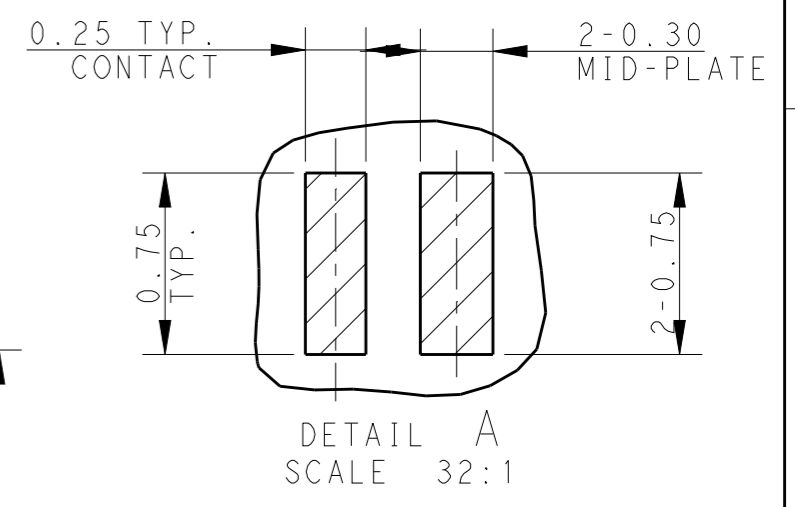
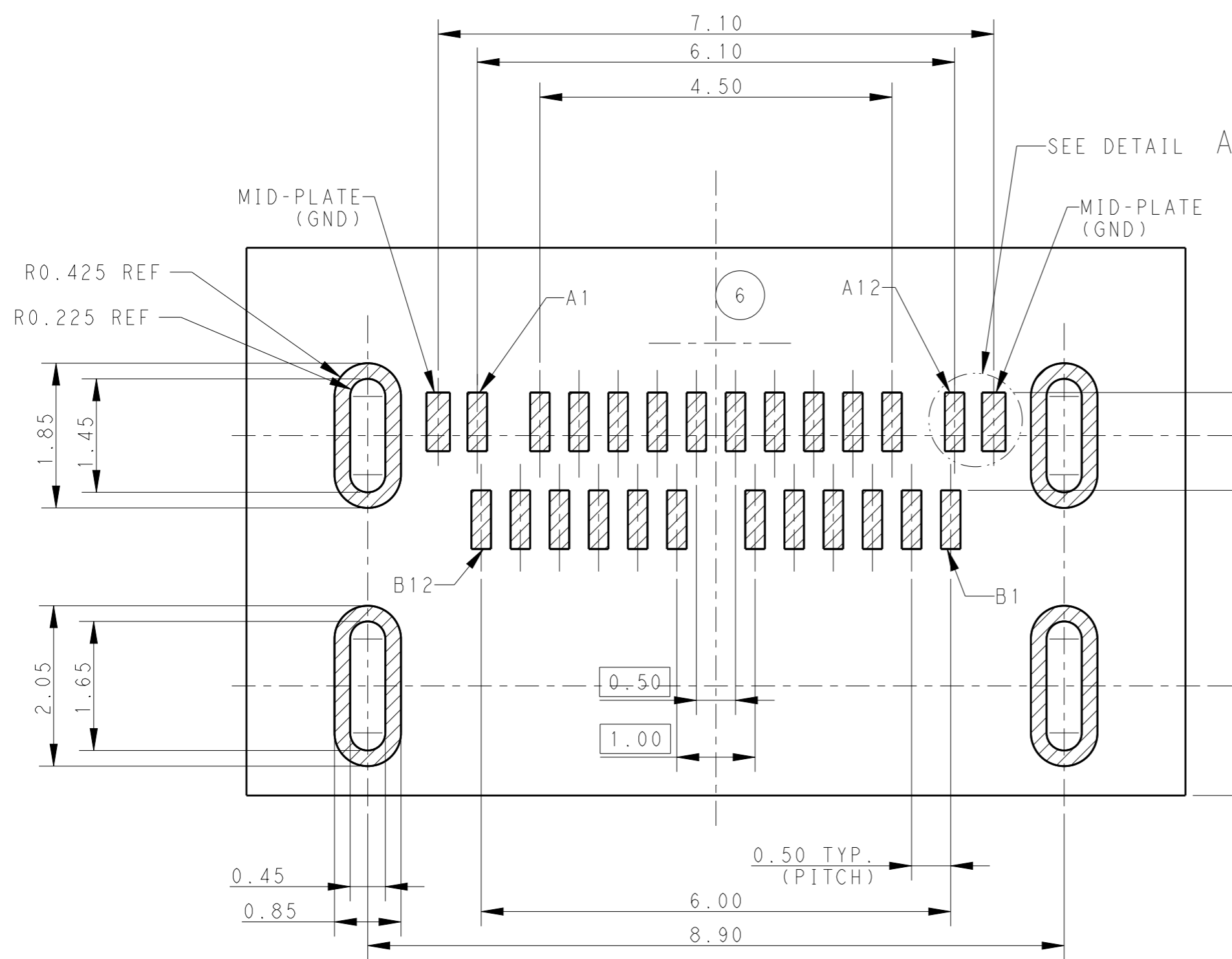
DIMENSIONS:	TOLERANCES UNLESS OTHERWISE SPECIFIED:
mm	0 PLC $\pm 0.5$
	1 PLC $\pm 0.25$
	2 PLC $\pm 0.25$
	3 PLC $\pm 0.25$
	4 PLC $\pm 0.25$
	ANGLES $\pm 3^\circ$
MATERIAL	FINISH
-	-
-	-

DWN	12-DEC-2016
SOLDIER ZHANG	
CHK	12-DEC-2016
HAPYE WU	
APVD	12-DEC-2016
HAPYE WU	
PRODUCT SPEC	108-115129-2
APPLICATION SPEC	501-115141-2
WEIGHT	-
CUSTOMER DRAWING	

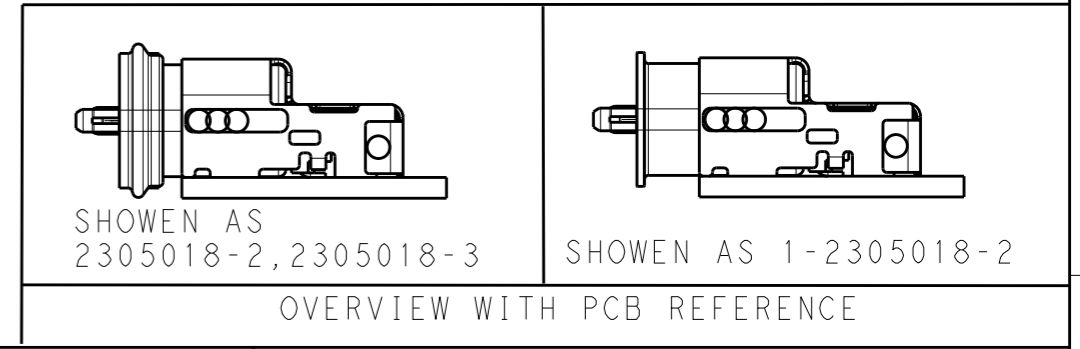
		TE Connectivity	
		NAME	
TYPE C RECEPTACLE		ON BOARD	
-		-	
SIZE	CAGE CODE	DRAWING NO	RESTRICTED TO
A3	-	C-2305018	-
SCALE		SHEET	REV
7:1		3 OF 6	A2

THIS DRAWING IS UNPUBLISHED. RELEASED FOR PUBLICATION 20  
 © COPYRIGHT 20 BY - ALL RIGHTS RESERVED.

REVISIONS					
P	LTR	DESCRIPTION	DATE	DWN	APVD
-	-	SEE SHEET 1	-	-	-



SCALE 16:1  
 PCB LAYOUT REFERENCE THICKNESS 0.55 mm  
 GENERAL TOLERANCE: ± 0.03



RECEPTACLE PIN LABEL:

A1	A2	A3	A4	A5	A6	A7	A8	A9	A10	A11	A12
GND	TX1+	TX1-	VBUS	CC1	D+	D-	SBU1	VBUS	RX2-	RX2+	GND
GND	RX1+	RX1-	VBUS	SBU2	D-	D+	CC2	VBUS	TX2-	TX2+	GND
B12	B11	B10	B9	B8	B7	B6	B5	B4	B3	B2	B1

THIS DRAWING IS A CONTROLLED DOCUMENT.

DIMENSIONS:	TOLERANCES UNLESS OTHERWISE SPECIFIED:
mm	0 PLC ±0.5
	1 PLC ±0.25
	2 PLC ±0.25
	3 PLC ±0.25
	4 PLC ±0.25
	ANGLES ±3°
MATERIAL	FINISH
-	-

DWN	12-DEC-2016
SOLDIER	ZHANG
CHK	12-DEC-2016
HAPYE	WU
APVD	12-DEC-2016
HAPYE	WU
PRODUCT SPEC	108-115129-2
APPLICATION SPEC	501-115141-2
WEIGHT	-
CUSTOMER DRAWING	

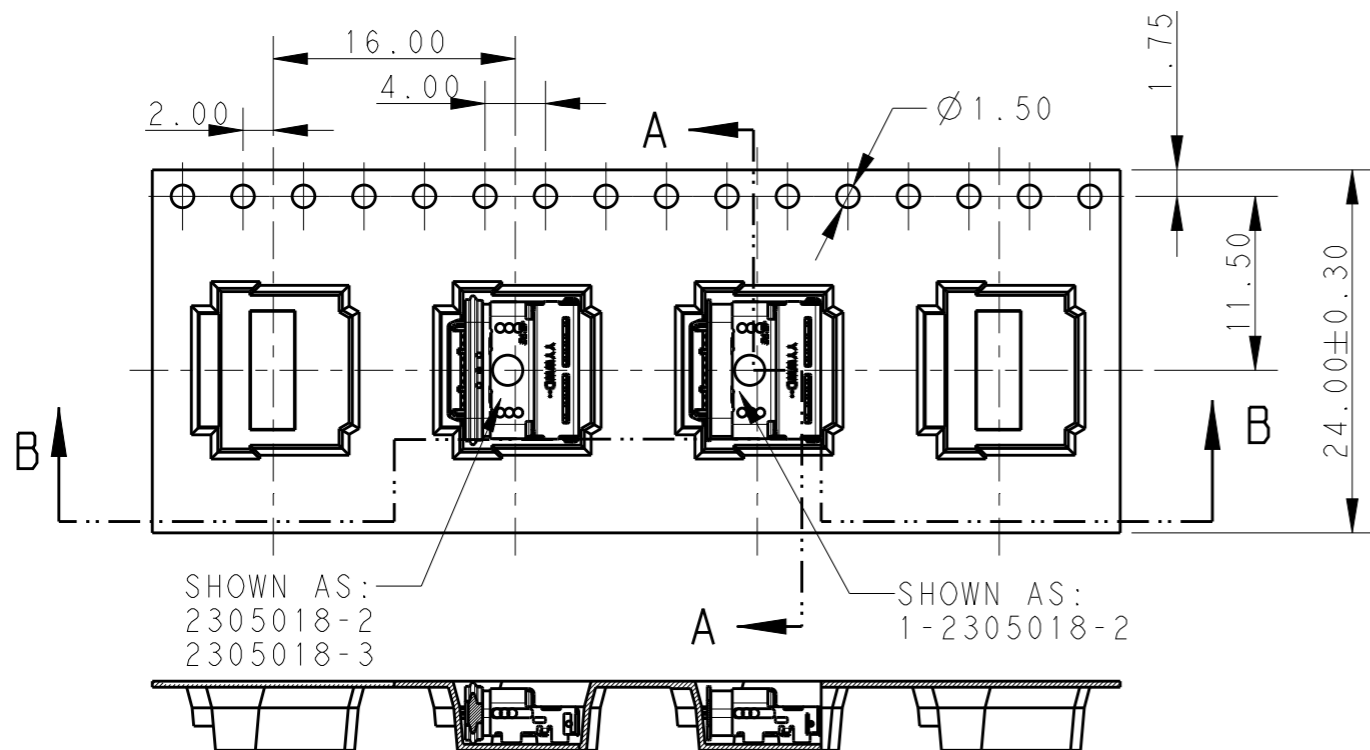
TE Connectivity		NAME	
		TYPE C RECEPTACLE ON BOARD	
SIZE	CAGE CODE	DRAWING NO	RESTRICTED TO
A3	-	©-2305018	-
SCALE 7:1		SHEET 4 OF 6	REV A2

REVISIONS

P	LTR	DESCRIPTION	DATE	DWN	APVD
-	-	SEE SHEET 1	-	-	-

SHOWN AS: 2305018-2, 2305018-3, 1-2305018-2

CUSTOMER FEED DIRECTION →

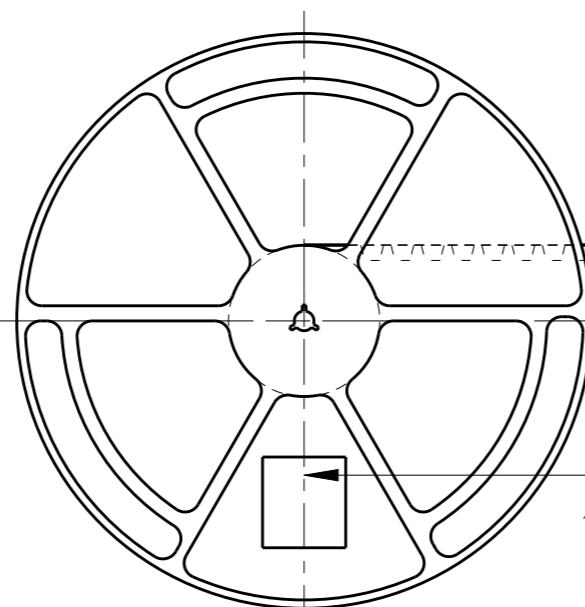
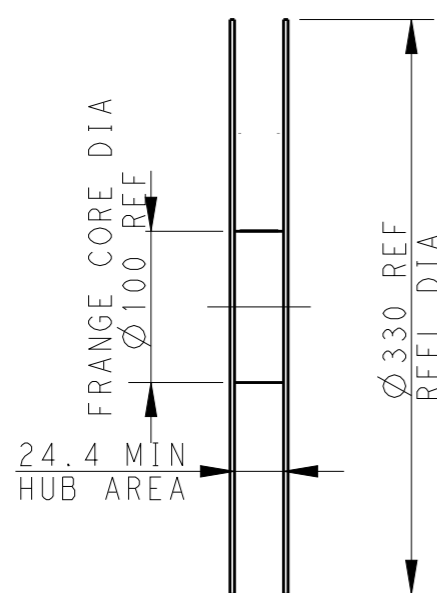


NOTE:

1. PACKAGE SPECIFIED PER EIA-481 UNLESS OTHERWISE.
2. EMBOSS: ANTISTATIC MATERIAL, COLOR: TRANSPARENT
3. COVER: ANTISTATIC MATERIAL, COLOR: TRANSPARENT AND COVER TYPE IS THERMO-COMPRESSION SEALING.
4. USER DIRECTION OF UNREELING.

SECTION A-A

SECTION B-B



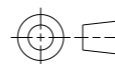
USER PULL OUT DIRECTION →

WITHOUT CHARGE 15PCS REF    WITH PRODUCT CHARGE 800PCS    WITHOUT CHARGE 10PCS REF

30.4 REF REEL WIDTH

THIS DRAWING IS A CONTROLLED DOCUMENT.

DIMENSIONS: mm



TOLERANCES UNLESS OTHERWISE SPECIFIED:

- 0 PLC ±0.5
- 1 PLC ±0.25
- 2 PLC ±0.25
- 3 PLC ±0.25
- 4 PLC ±0.25
- ANGLES ±3°

MATERIAL

FINISH

DWN 12-DEC-2016

SOLDIER ZHANG

CHK 12-DEC-2016

HAPYE WU

APVD 12-DEC-2016

HAPYE WU

PRODUCT SPEC 108-115129-2

APPLICATION SPEC 501-115141-2

WEIGHT

CUSTOMER DRAWING



TE Connectivity

NAME TYPE C RECEPTACLE ON BOARD

SIZE	CAGE CODE	DRAWING NO	RESTRICTED TO
------	-----------	------------	---------------

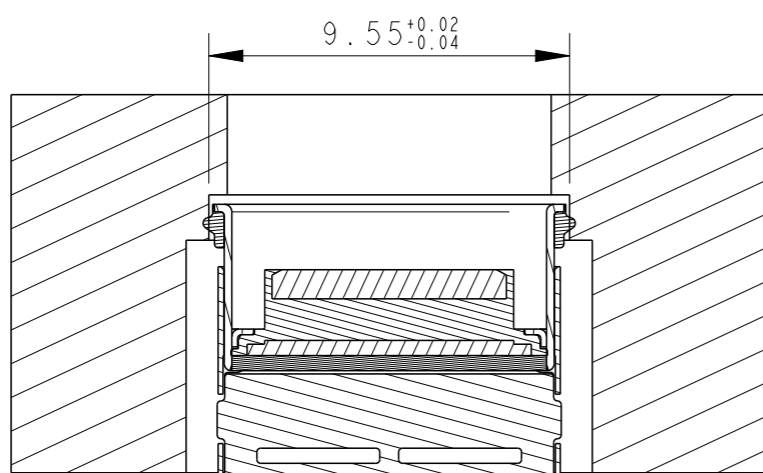
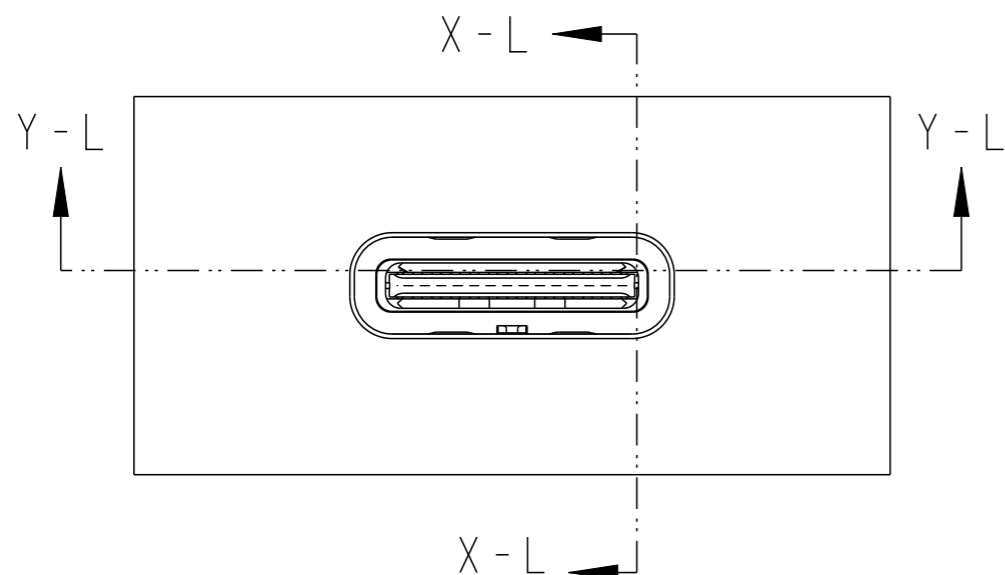
A3	-	©-2305018	-
----	---	-----------	---

SCALE	SHEET	REV
NA	5 OF 6	A2

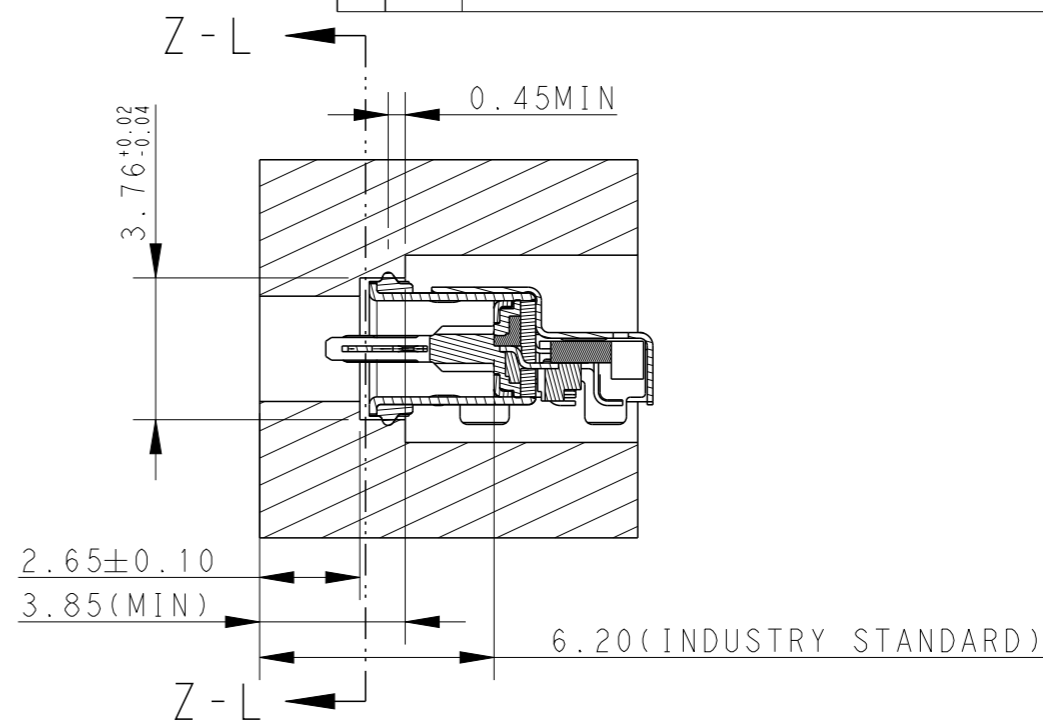
REVISIONS

P	LTR	DESCRIPTION	DATE	DWN	APVD
-	-	SEE SHEET 1	-	-	-

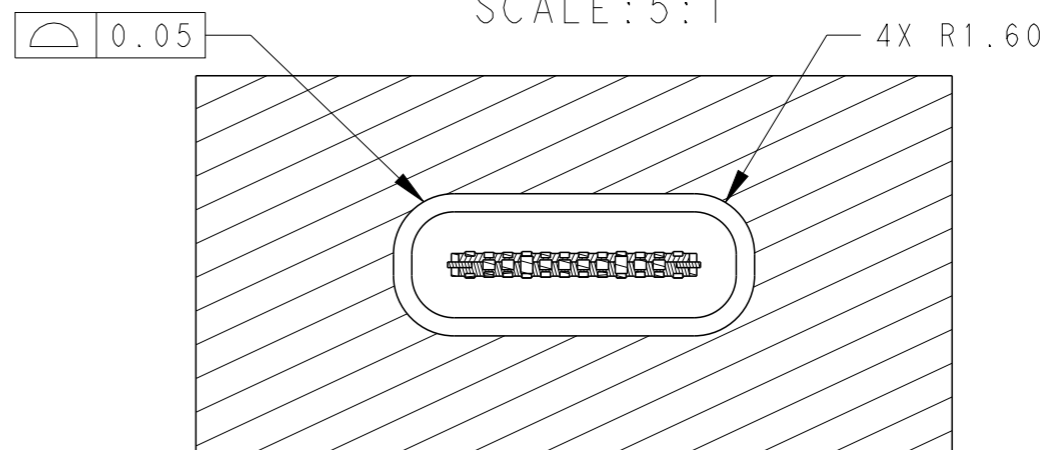
RECOMMENDED OPENING DIMENSIONS OF CASE MATING AREA WITH SEALING RING




SECTION Y-L  
SCALE: 5:1



SECTION X-L  
SCALE: 5:1



SECTION Z-L  
SCALE: 5:1

THIS DRAWING IS A CONTROLLED DOCUMENT.		DWN SOLDIER ZHANG 27-AUG-2018	 TE Connectivity	
DIMENSIONS: mm		CHK SIMON LI 27-AUG-2018		
TOLERANCES UNLESS OTHERWISE SPECIFIED:		APVD SIMON LI 27-AUG-2018	NAME TYPE C RECEPTACLE ON BOARD	
0 PLC ±0.5 1 PLC ±0.25 2 PLC ±0.25 3 PLC ±0.25 4 PLC ±0.25 ANGLES ±3°		PRODUCT SPEC 108-115129-2	RESTRICTED TO	
MATERIAL		APPLICATION SPEC 501-115141-2	SIZE A3	CAGE CODE -
FINISH		WEIGHT -	DRAWING NO C-2305018	SCALE 6:1
-		CUSTOMER DRAWING	SHEET 6 OF 6	REV A2