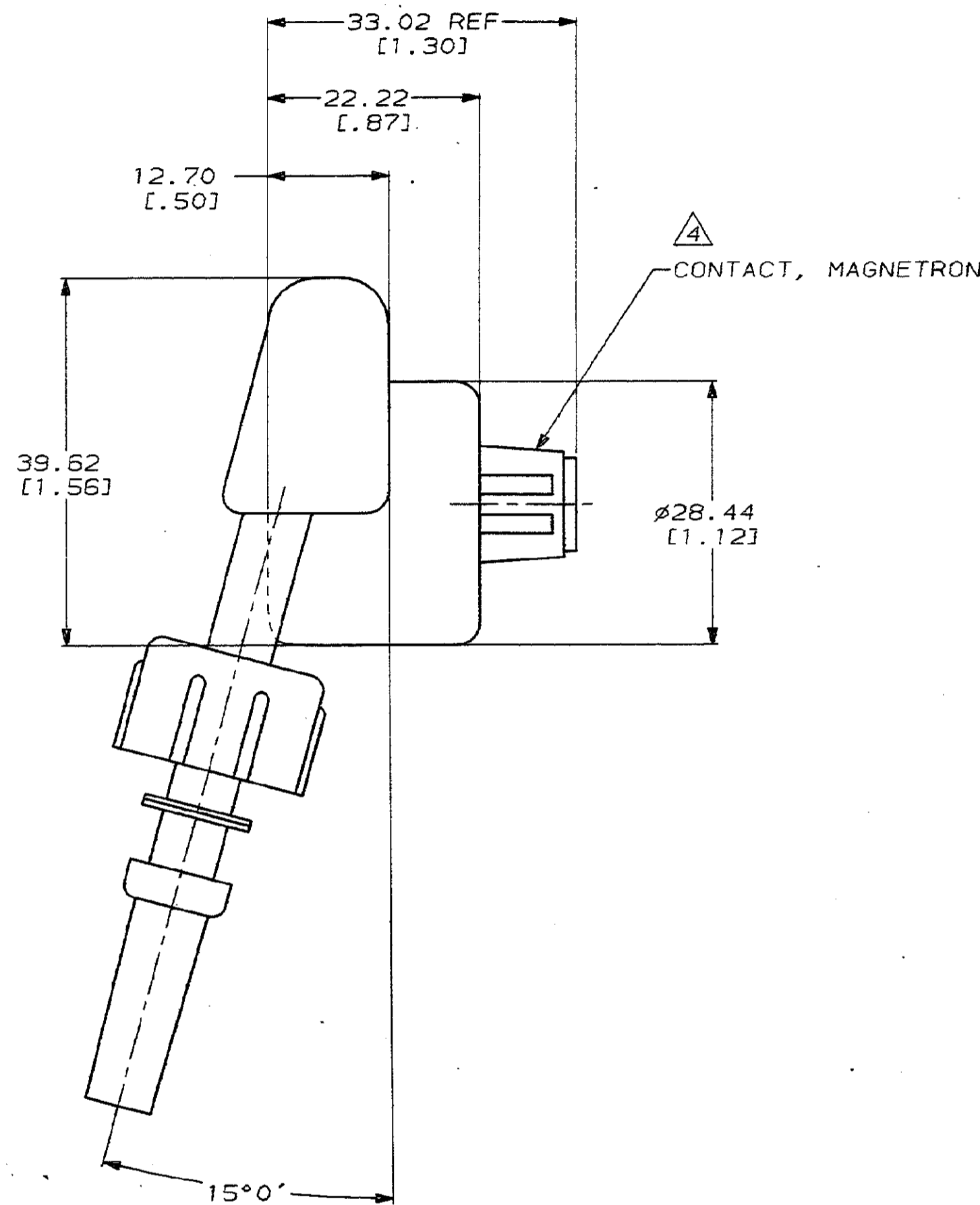
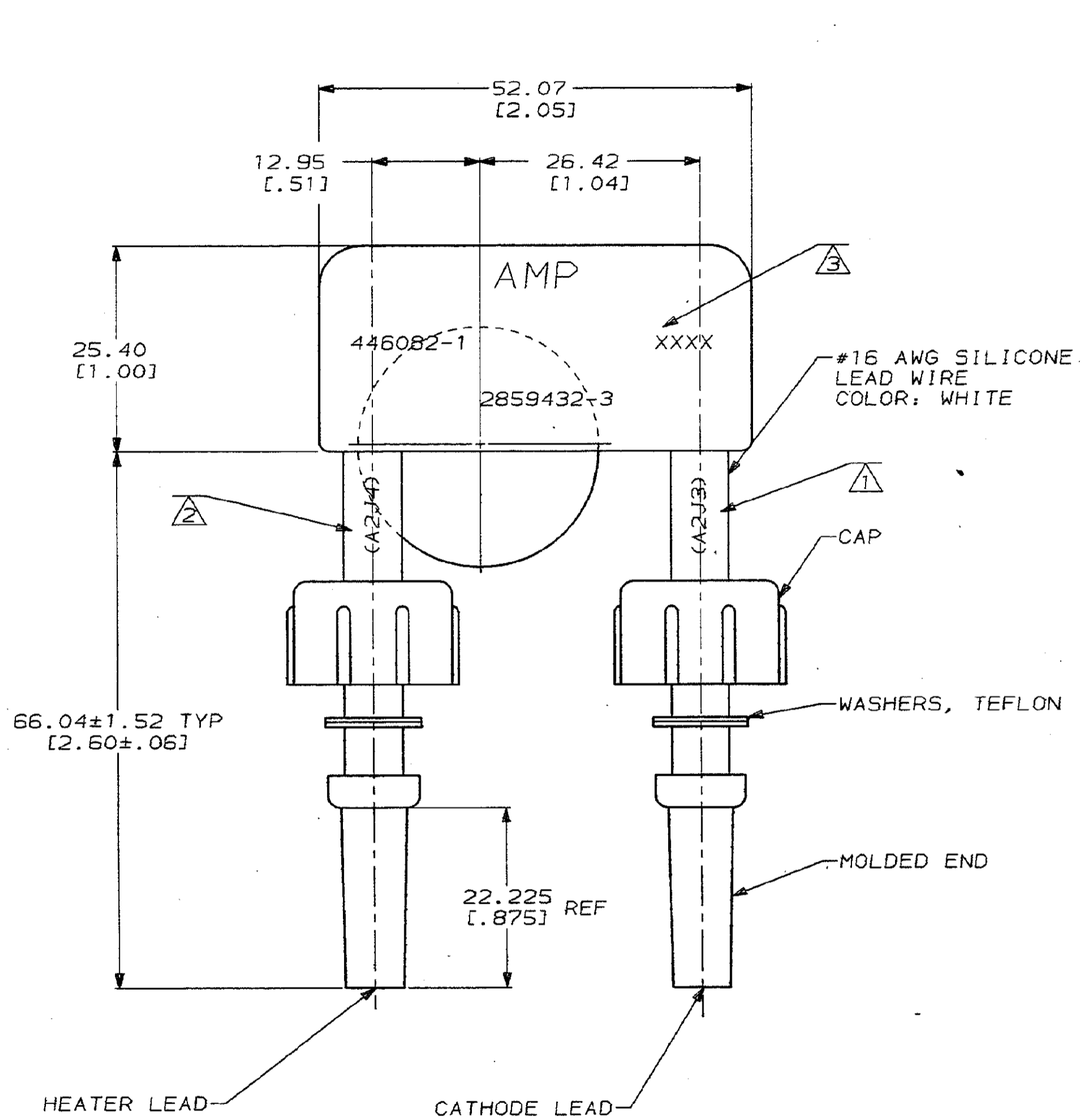


DRAWING MADE IN THIRD ANGLE PROJECTION

THIS DRAWING IS UNPUBLISHED. RELEASED FOR PUBLICATION .19
 © COPYRIGHT 19 BY AMP INCORPORATED. ALL INTERNATIONAL RIGHTS RESERVED.

METRIC

PROD		LOC		DIST		REVISIONS					
CODE						ZONE	LTR	DESCRIPTION	DATE	APPD	
4092	DF	S1						0 RLSE/NPR 89-241	CCT	7-89	CS



- ① MARKED WITH CUSTOMER DATA: P1 & (A2J3) PER MIL-STD-130.
- ② MARKED WITH CUSTOMER DATA: P2 & (A2J4) PER MIL-STD-130.
- ③ AMP & CUSTOMER DATA MARKED PER MIL-STD-130.
- ④ TO MATE WITH MAGNETRON 4J52A.
- 5. TO MATE WITH AMP RECEPTACLE PART NO. 868754-1.
- 6. HI-POT: 45 KVDC AT SEA LEVEL FOR 3 MIN; 100%
- 7. OPERATING VOLTAGE: 30 KVDC AT SEA LEVEL.
- 8. SOLDER TO WITHSTAND A TEMPERATURE OF 500°F MAX.

DO NOT SCALE PRINT. UNLESS SPECIFIED DIMENSIONS IN MM [INCHES] TOLERANCES ON: 2 PLC DEC ± 0.51 [0.02] 3 PLC DEC ± 0.13 [0.005] ANGLES ± -		DR C.C. THOMAS 7-6-89	446082-1 AMP PART NO.	
MATERIAL SEE CALLOUTS		CHK G. Schreffler 7/13/89	AMP AMP INCORPORATED Harrisburg, Pa. 17105	
FINISH -		APPD U.S. Lutz 7-15-89	NAME LGH CONNECTOR, MAGNETRON	
APPLICATION SPEC -		APPD U.S. Lutz 7-15-89	SIZE C	FSCM NO 00779
WEIGHT -		APPLICATION SPEC -	DRAWING NO 446082	SHEET 1 OF 1

RESTRICTED CUSTOMER DRAWING