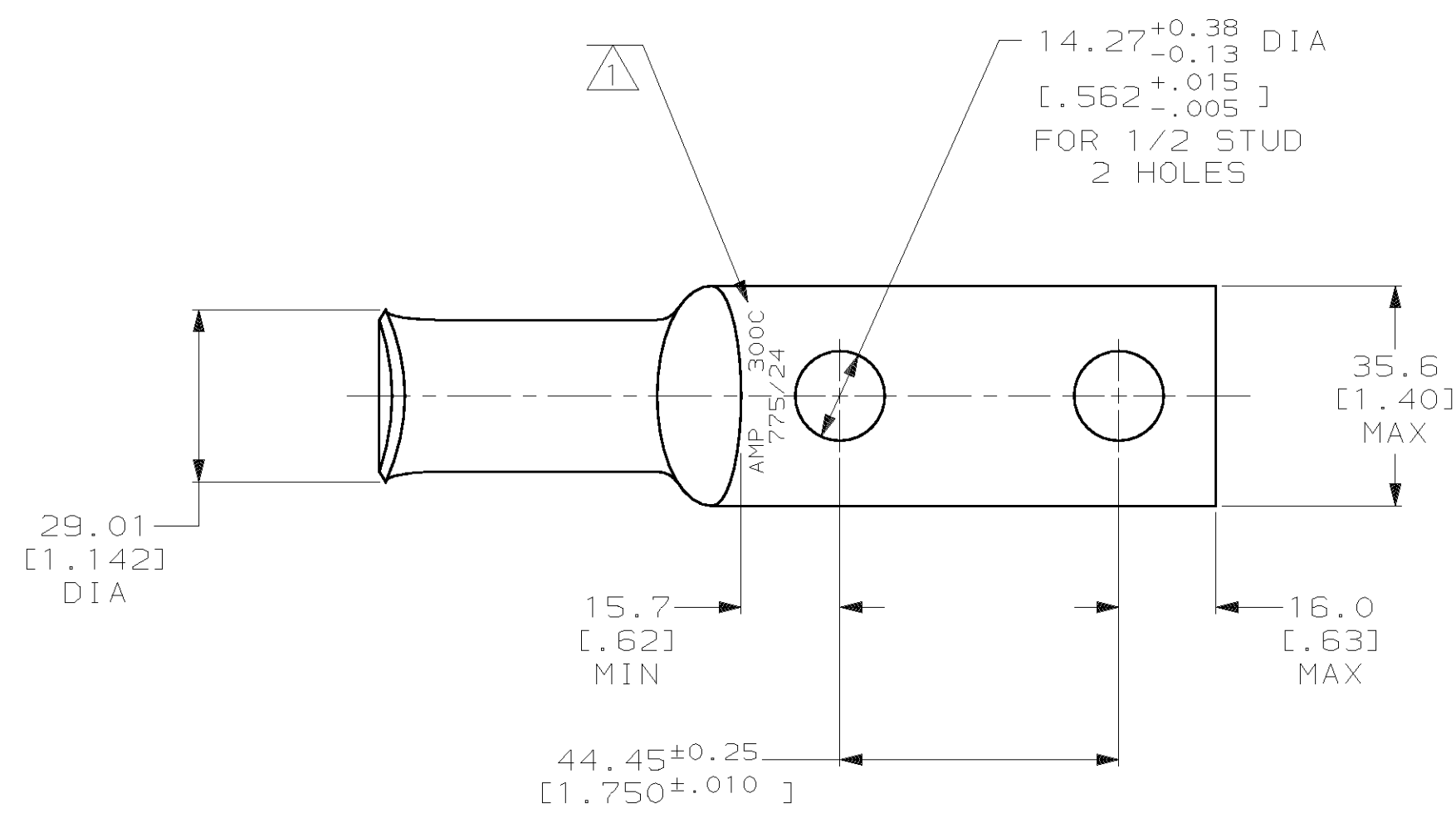


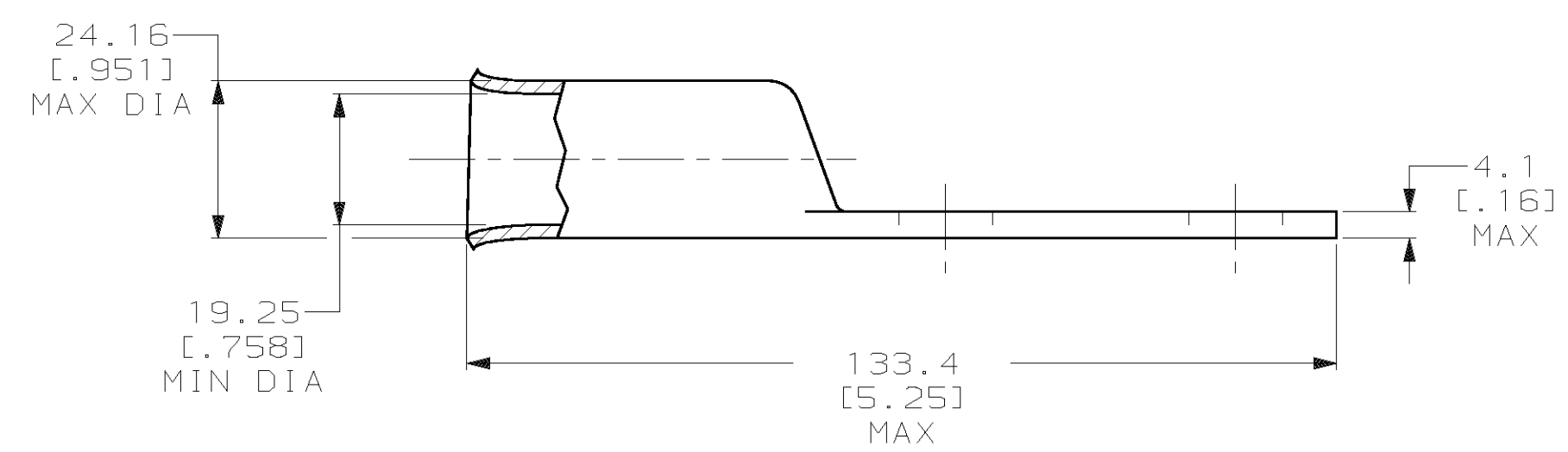
THIS DRAWING IS UNPUBLISHED. RELEASED FOR PUBLICATION, 19 .
 © COPYRIGHT 19 BY AMP INCORPORATED. ALL INTERNATIONAL RIGHTS RESERVED.

LOC	DIST	P	F	ZONE	LTR	DESCRIPTION	DATE	APPD
G	86					E REV PER 063A-0561-01	03OCT02	JR/MS

METRIC
 DIMENSIONS LISTED IN mm [INCHES]



① STAMP AMP 300C 775/24 APPROX AS SHOWN



AMP INCORPORATED CUSTOMER SERVICE SYSTEMS		MAX RECOMMENDED OPERATING TEMPERATURE: 170°C MAX	DO NOT SCALE PRINT. UNLESS SPECIFIED DIMENSIONS IN mm [INCHES] TOLERANCES ON: 2 PLC DEC ± - 3 PLC DEC ± - ANGLES ± -	DR 130CT94 DK SCHRUM	AMP AMP Incorporated Harrisburg, PA 17105-3608		
FOR ADDITIONAL PRODUCT INFORMATION OR COPIES OF DRAWINGS AND TECHNICAL DOCUMENTS	PRODUCT INFORMATION CENTER 1-800-522-6752	VOLTAGE RATING: NOT APPLICABLE	MATERIAL COPPER PER ASTM B-75 ANNEALED	CHK 130CT94 AJ KAUFMAN	NAME TERMINAL, AMPOWER, WIRE SIZE: 300 MCM		
FOR APPLICATION TOOLING INFORMATION	TOOLING ASSISTANCE CENTER 1-800-722-1111	CIRCULAR MIL RANGE: 139.3-164.7mm² [275,000-325,000] CIR MILS SOLID OR STRANDED	FINISH TIN PLATE 0.00381 [0.000150] MIN THK PER MIL-T-10727	APPD 130CT94 RE ROSER	PRODUCT SPEC 108-30200	SIZE C 00779	DRAWING NO C=53684
FOR ORDER ENTRY	1-800-526-5142	THIS DRAWING IS A CONTROLLED DOCUMENT FOR AMP INCORPORATED. IT IS SUBJECT TO CHANGE AND THE CONTROLLING ENGINEERING ORGANIZATION SHOULD BE CONTACTED FOR THE LATEST REVISION.		APPD 130CT94 JL MECKLEY	APPLICATION SPEC -	SCALE 1:1	SHEET 1 OF 1